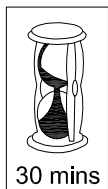


P.O.Number :  
Please Keep This Number For  
Future Reference  
**THIS FORMS PARTS OF  
YOUR GUARANTEE!!**



**MINIMUM TWO  
PERSON ASSEMBLY**

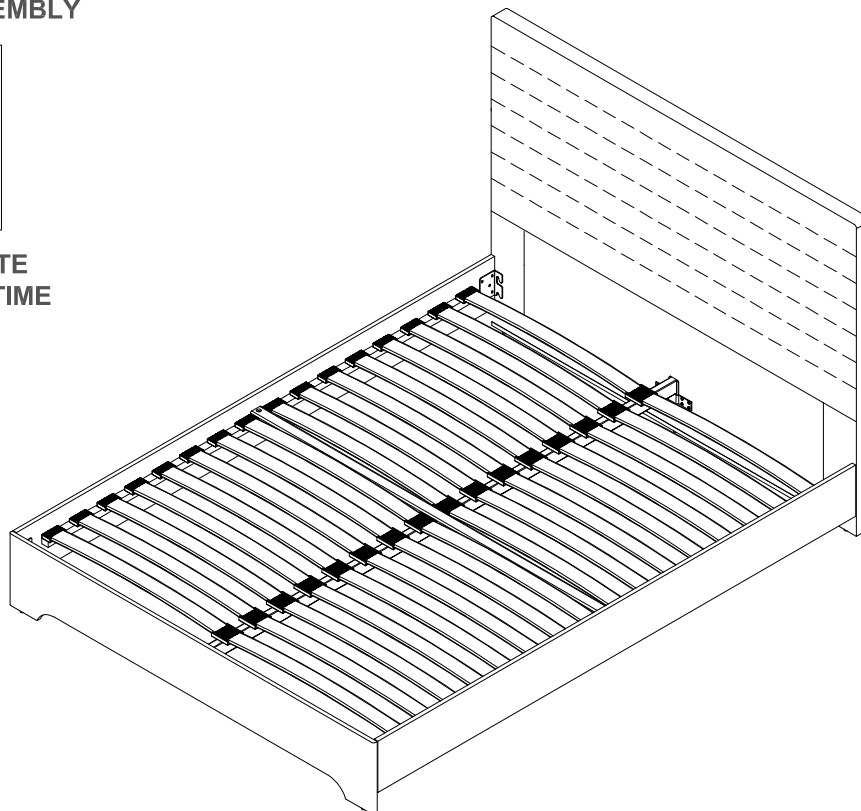


**APPROXIMATE  
ASSEMBLY TIME**



**TAMARA BEDFRAME 150cm  
STK804203**

**Assembly Instructions**  
Please keep these instructions for future reference.



Regrettably self-assembly items cannot be returned once assembly is part or fully completed unless the items are found to be faulty. Should you need to return the unassembled product, please repack in its original packaging.

**Important Information**

- We suggest you spend a short time reading through this leaflet and then follow the simple step-by-step instructions.
- Carefully check that you have all the parts before beginning assembly.
- Keep fittings out of children's reach and keep children well away from construction area.
- We suggest you retain these instructions for future reference.

**Product Information**

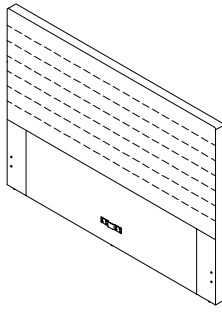
- Static bed.
- Upholstered fabric conforms to BS EN 1725 & fillings conform to BS 5852.

**Care Instructions**

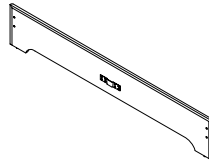
- Avoid exposing the furniture to excessive heat or direct sunlight as this can cause cracking or deterioration of the color.
- Periodically check & re-tighten any fastener.
- Periodically dust lightly with a clean soft cloth. We recommend hoovering to remove dust.
- Any spills should be removed immediately with a soft damp cloth.
- **TAKE CARE WHEN MOVING THE FURNITURE AND NEVER DRAG THE PIECES ACROSS THE FLOOR, AS THIS WILL CAUSE DAMAGE TO THE JOINTS.**

## Components of Carton 1

(A) Headboard x 1

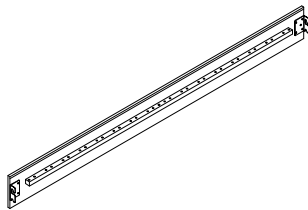


(B) Footboard x 1

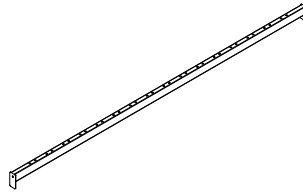


## Component of Carton 2

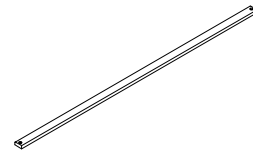
(C) Side Rail x 2



(D) Centre Rail x 1

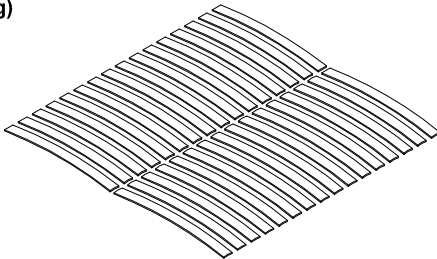


(E) Top Tie Rail x 1



## Components of Carton 3

(F) Slat  
x 32 (King)



## Hardware List (in Carton 1)

(G) M8 x 20mm  
x 8 (Pre-Installed)

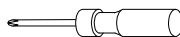


## Hardware List (in Carton 2)

(H) M8 x 25mm  
x 2 (Pre-Installed)



(I) Screw Driver  
x 1

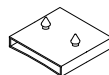


## Hardware List (in Carton 3)

(J) End Cap  
x 32

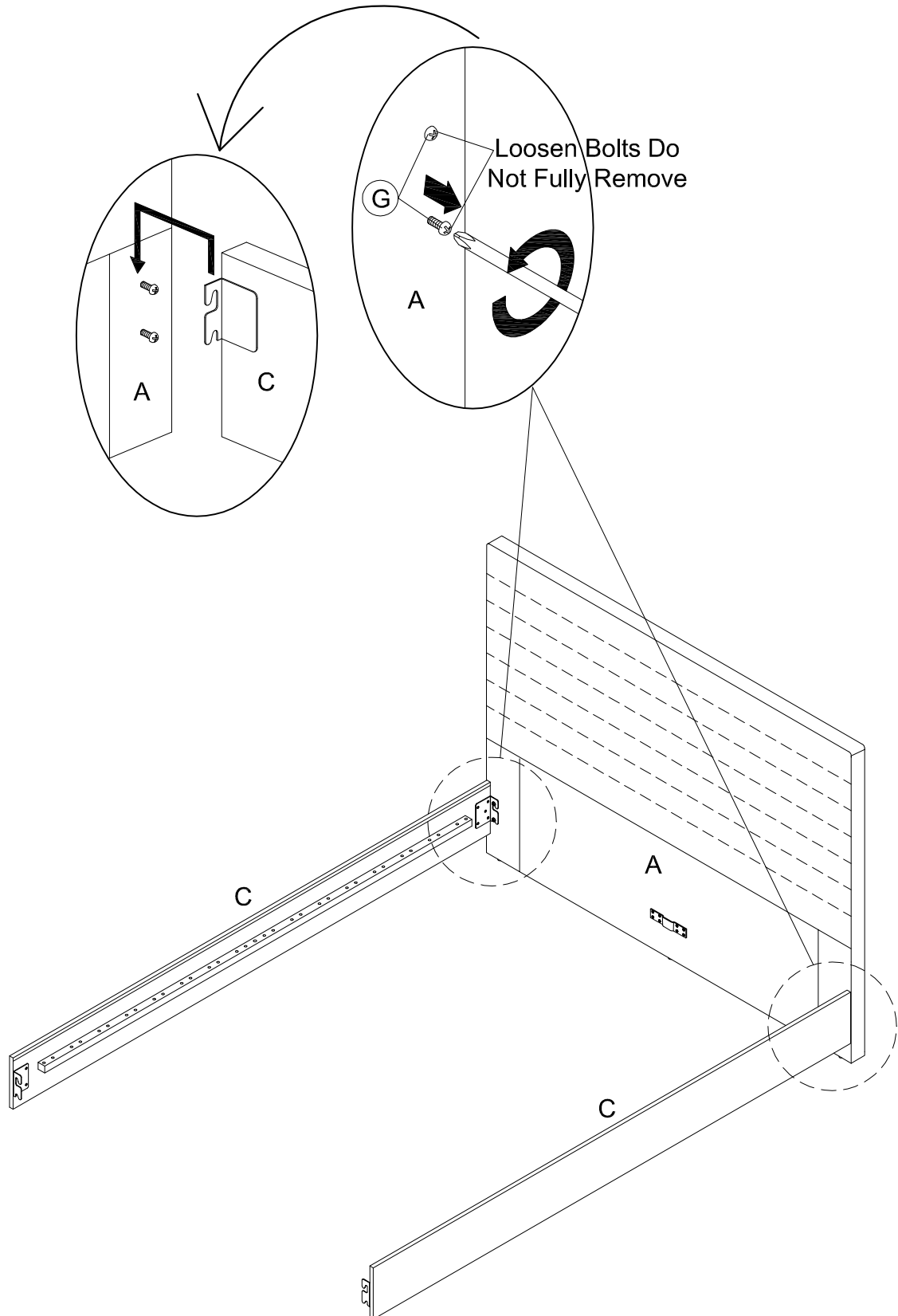


(K) Middle Cap  
x 16



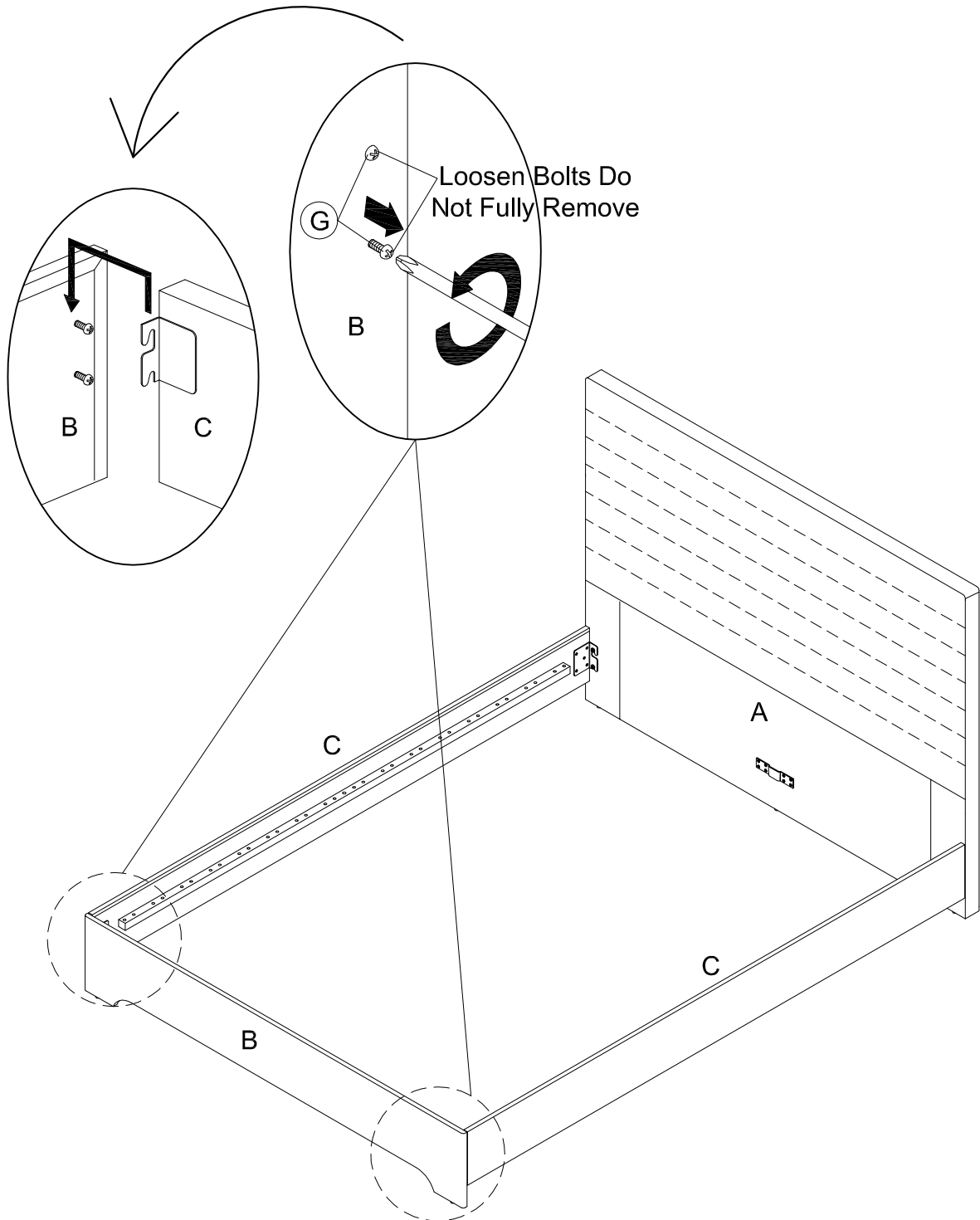
## Step 1

- Loosen the bolts located in the head end. (Note: only loosen the bolts Do NOT remove them.)
- Hook the side rail over the bolts as shown.
- Repeat the action on the opposite side.



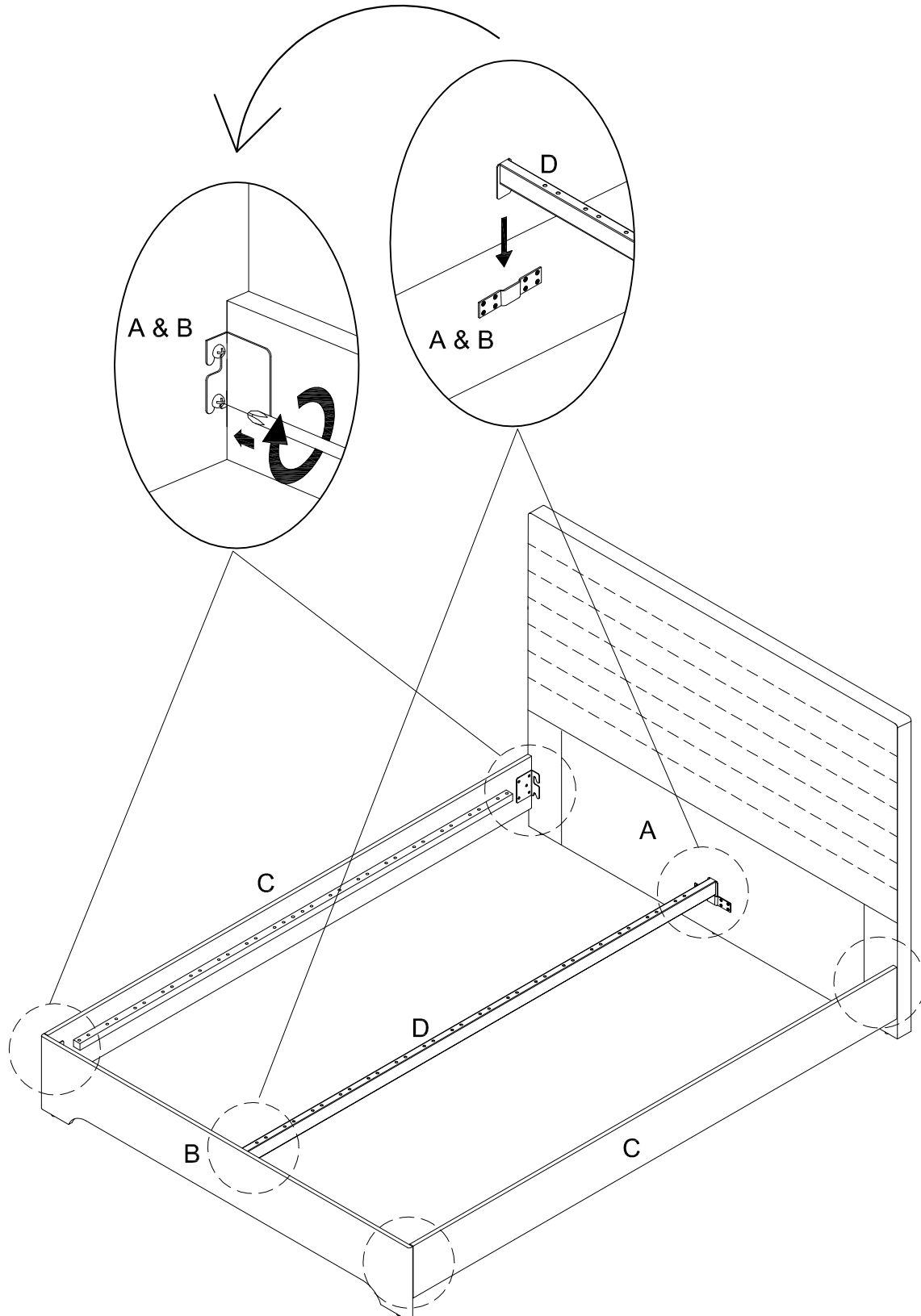
## Step 2

- Loosen the bolts located in the foot end. (Note: only loosen the bolts Do NOT remove them.)
- Hook the side rail over the bolts as shown.
- Repeat the action on the opposite side.



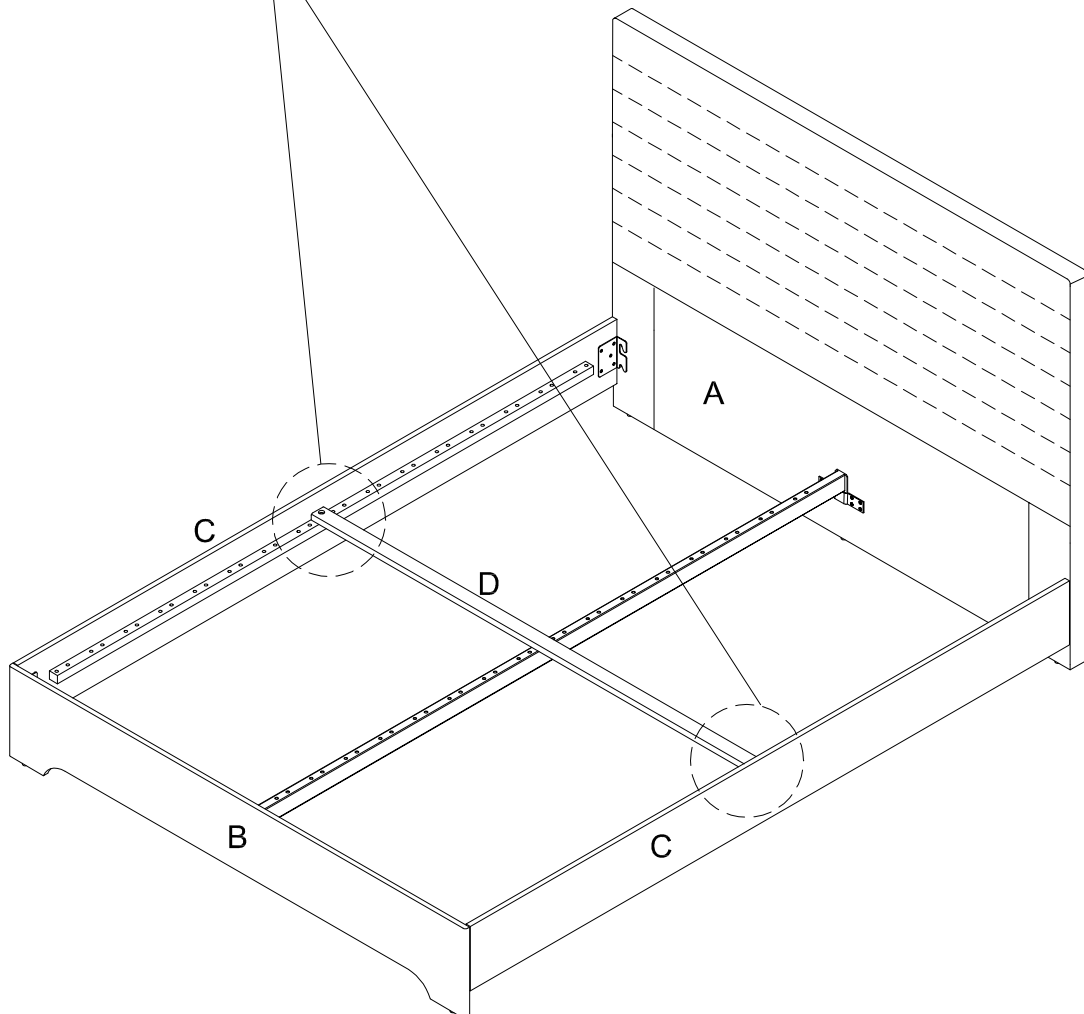
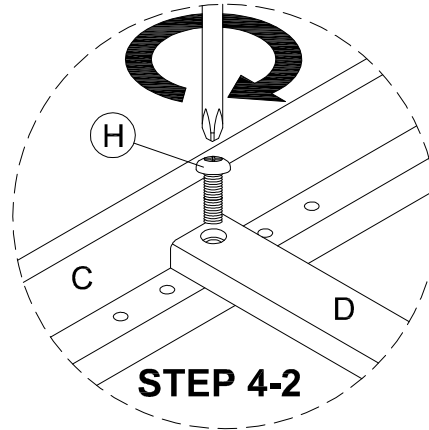
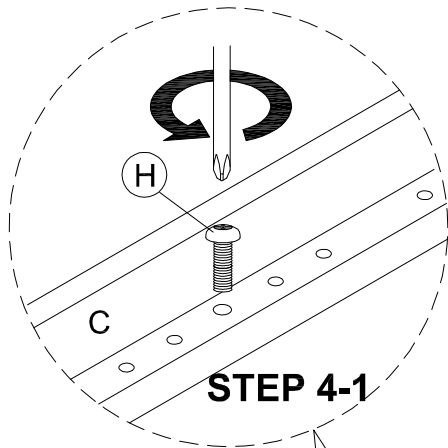
### Step 3

- Carefully slot the centre rail into the brackets on the head and foot end. Be very careful not to catch the head and foot ends with the centre rail tongue.
- Fully tighten all screws on the head and foot ends.



## Step 4

- Remove the bolts at the side rail as shown.
- Attach the Top tie rail on the side rail & tighten with the bolts as shown.

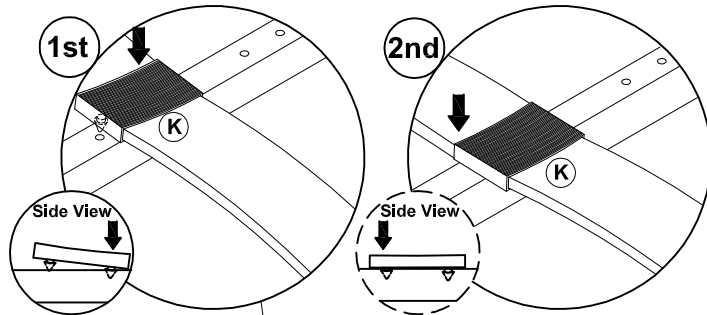


## Step 5

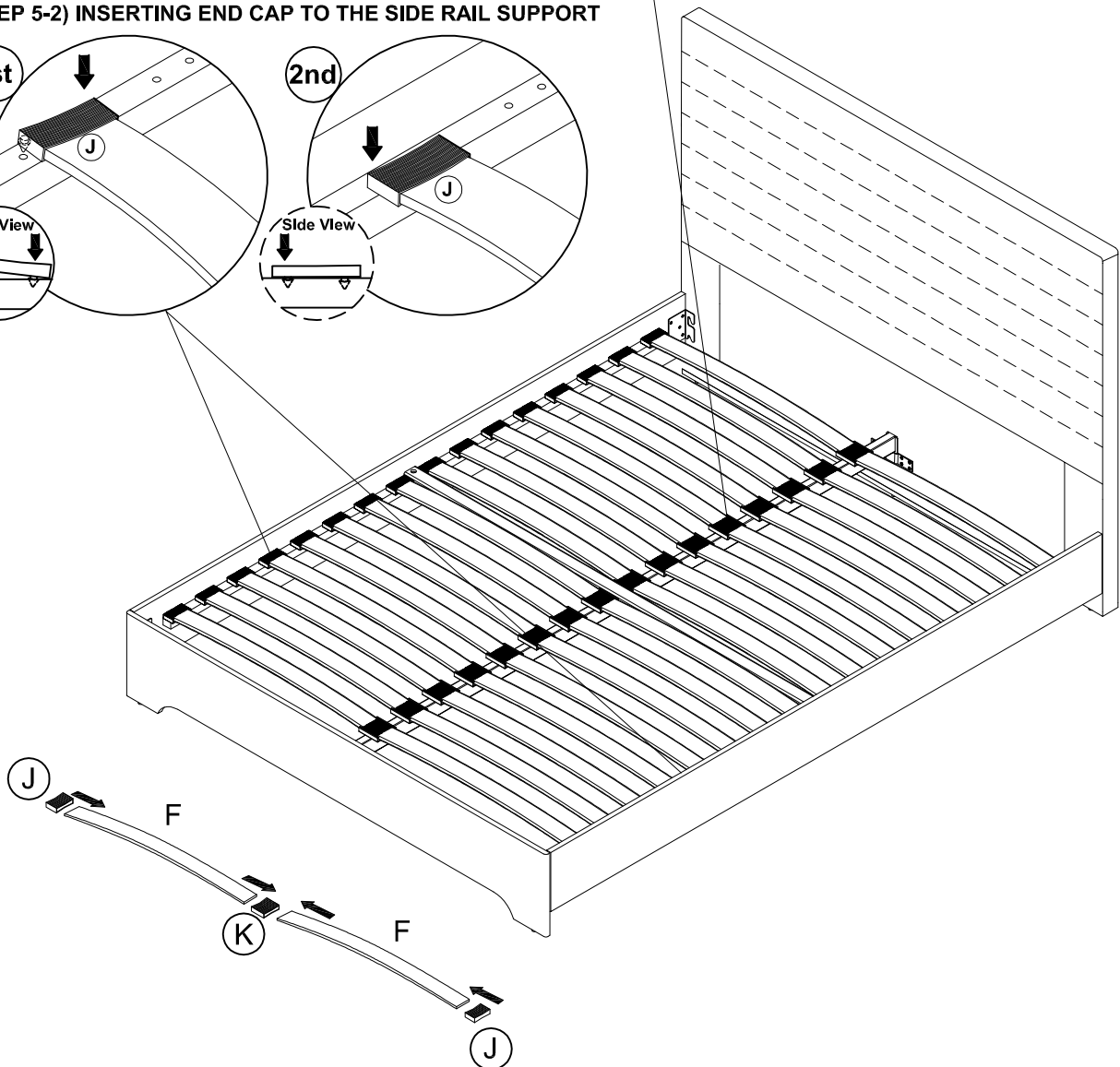
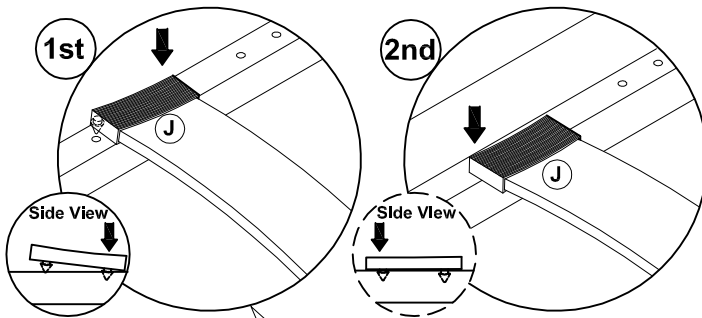
- Attach middle cap and end cap to the bend slat.
- Push the middle cap into the centre rail first.  
Then end caps to side rail support as shown in step 5-1 & step 5-2.

\* PLEASE REFER TO PAGE (8 of 8), IF NEED TO REMOVE THE SLAT CAPS FROM THE BED

### (STEP 5-1) INSERTING MIDDLE CAP TO THE CENTRE RAIL

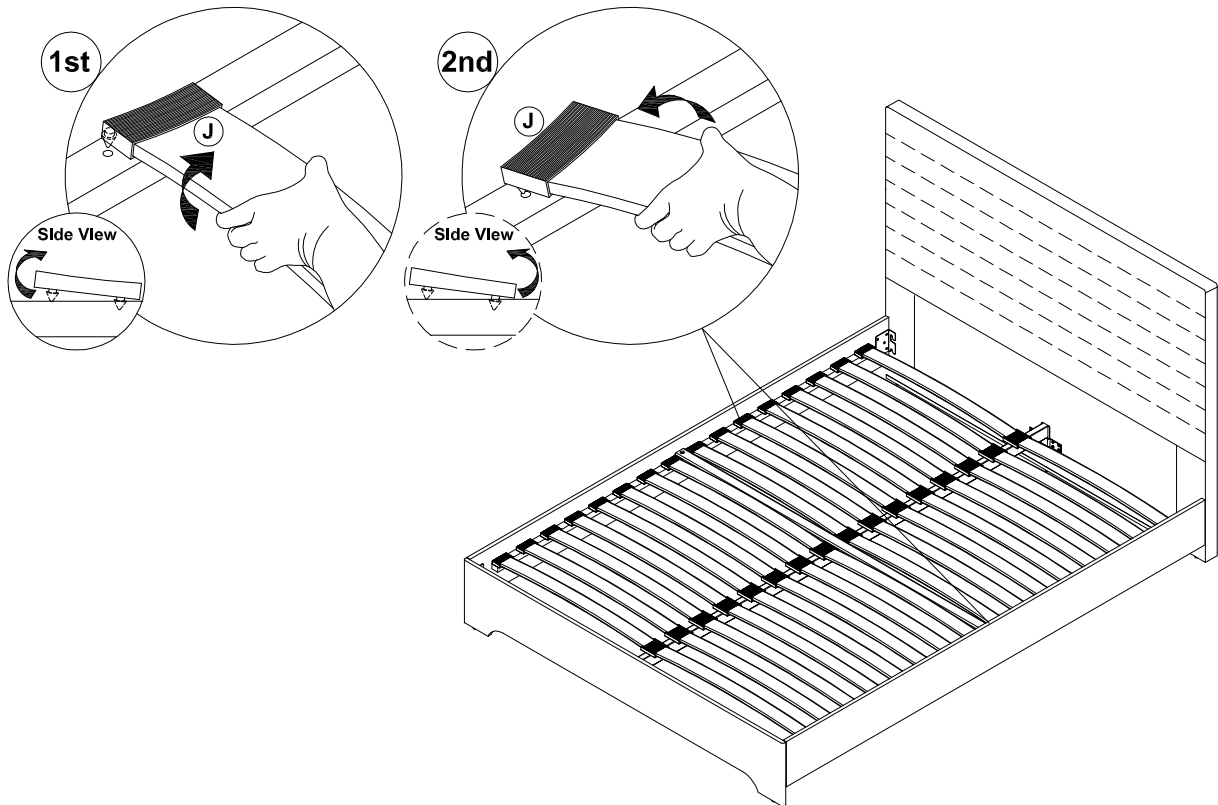


### (STEP 5-2) INSERTING END CAP TO THE SIDE RAIL SUPPORT



## (DISMANTLE THE SLAT CAP)

- Firstly, remove both end cap from side rail support & remove one side of slats as shown.



- After that, use the slats to remove middle cap slowly as shown.

