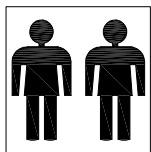
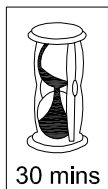


P.O.Number :
Please Keep This Number For
Future Reference
**THIS FORMS PARTS OF
YOUR GUARANTEE!!**



**MINIMUM TWO
PERSON ASEMBLY**



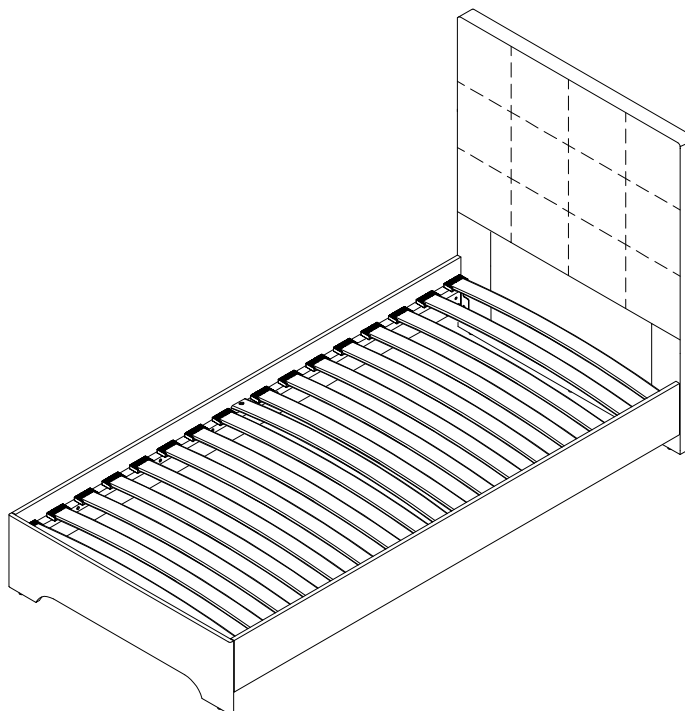
**APPROXIMATE
ASSEMBLY TIME**



**SILVIA BEDFRAME 90cm
STK804308**

Assembly Instructions

Please keep these instructions for future reference.



Regrettably self-assembly items cannot be returned once assembly is part or fully completed unless the items are found to be faulty. Should you need to return the unassembled product, please repack in its original packaging.

Important Information

- We suggest you spend a short time reading through this leaflet and then follow the simple step-by-step instructions.
- Carefully check that you have all the parts before beginning assembly.
- Keep fittings out of children's reach and keep children well away from construction area.
- We suggest you retain these instructions for future reference.

Product Information

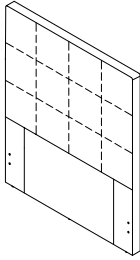
- Upholstered Fabric bed. Conforms to BS 5852 & BS 8509:2008+A1:2011.
- This bed is intended for adults and children above 4 years old.

Care Instructions

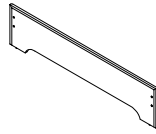
- Avoid exposing the furniture to excessive heat or direct sunlight as this can cause cracking or deterioration of the color.
- Periodically check & re-tighten any fastener.
- Periodically dust lightly with a clean soft cloth. We recommend hoovering to remove dust.
- Any spills should be removed immediately with a soft damp cloth.
- **TAKE CARE WHEN MOVING THE FURNITURE AND NEVER DRAG THE PIECES ACROSS THE FLOOR, AS THIS WILL CAUSE DAMAGE TO THE JOINTS.**

Components of Carton 1

(A) Headboard x 1

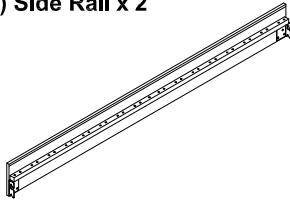


(B) Footboard x 1

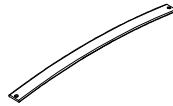


Component of Carton 2

(C) Side Rail x 2

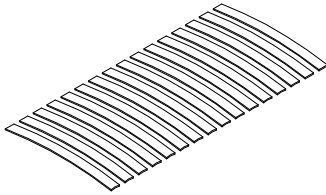


(D) Top Tie Rail x 1



Components of Carton 3

(E) Slat x 16



Hardware List (in Carton 1)

(F) M8 x 20mm
x 8 (Pre-Installed)

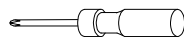


Hardware List (in Carton 2)

(G) M8 x 25mm
x 2 (Pre-Installed)



(H) Screw Driver
x 1



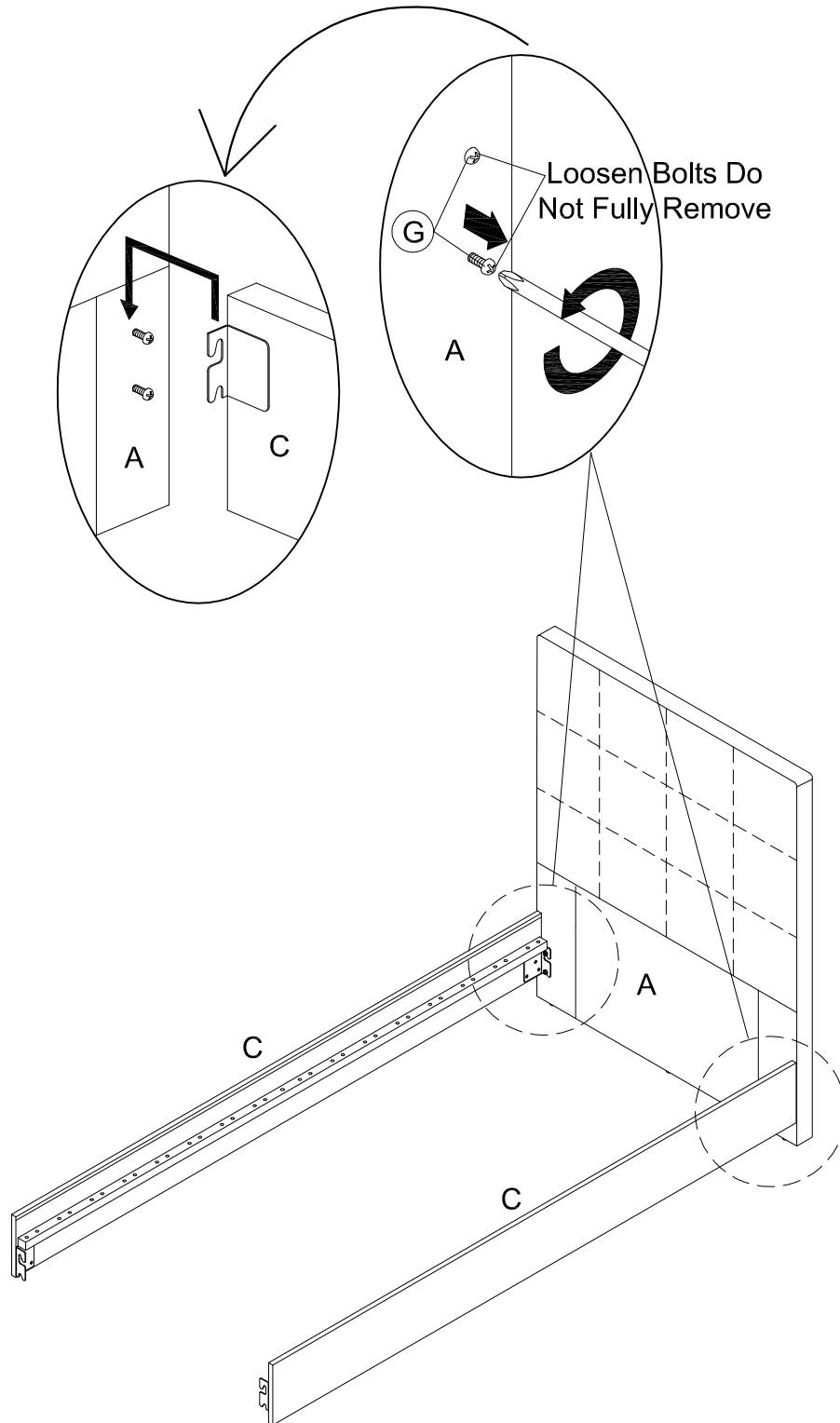
Hardware List (in Carton 3)

(I) End Cap
x 32



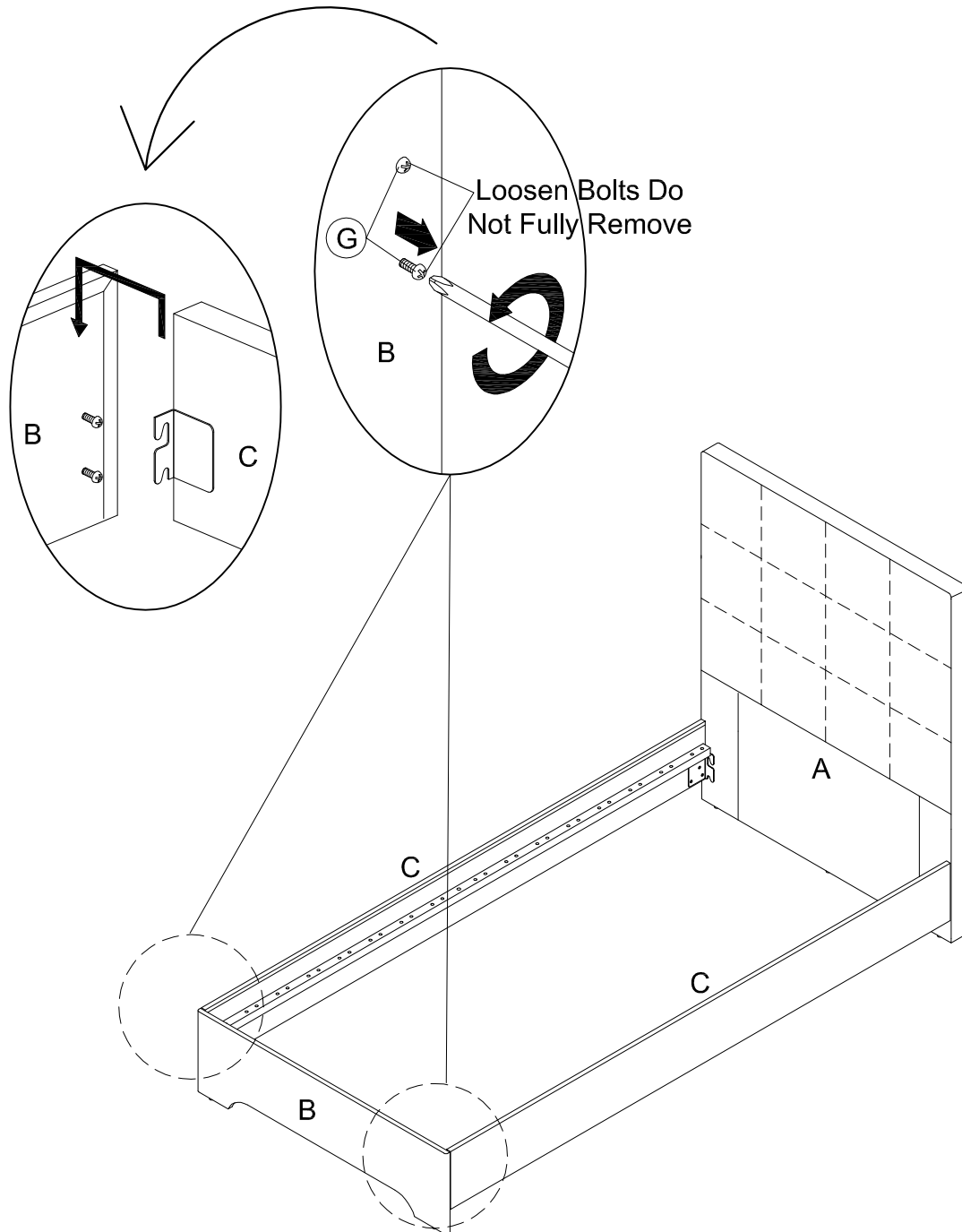
Step 1

- Loosen the bolts located in the head board. (Note: only loosen the bolts Do NOT remove them.)
- Hook the side rail over the bolts as shown.
- Repeat the action on the opposite side.



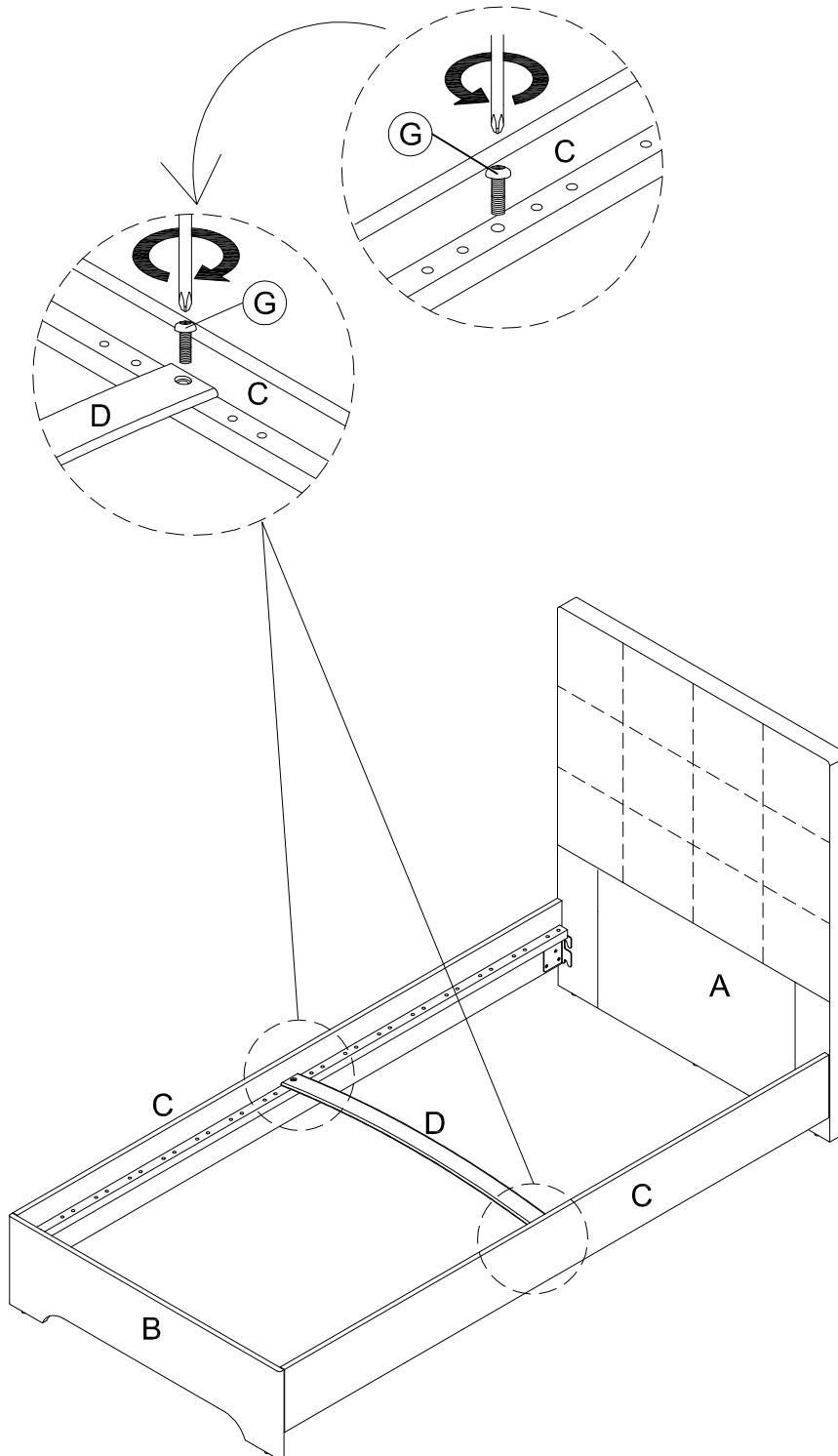
Step 2

- Loosen the bolts located in the foot board. (Note: only loosen the bolts Do **NOT** remove them.)
- Hook the side rail over the bolts as shown.
- Repeat the action on the opposite side.



Step 3

- Remove the bolts at the side rail as shown.
- Attach the Top tie rail on the side rail & tighten with the bolts as shown.

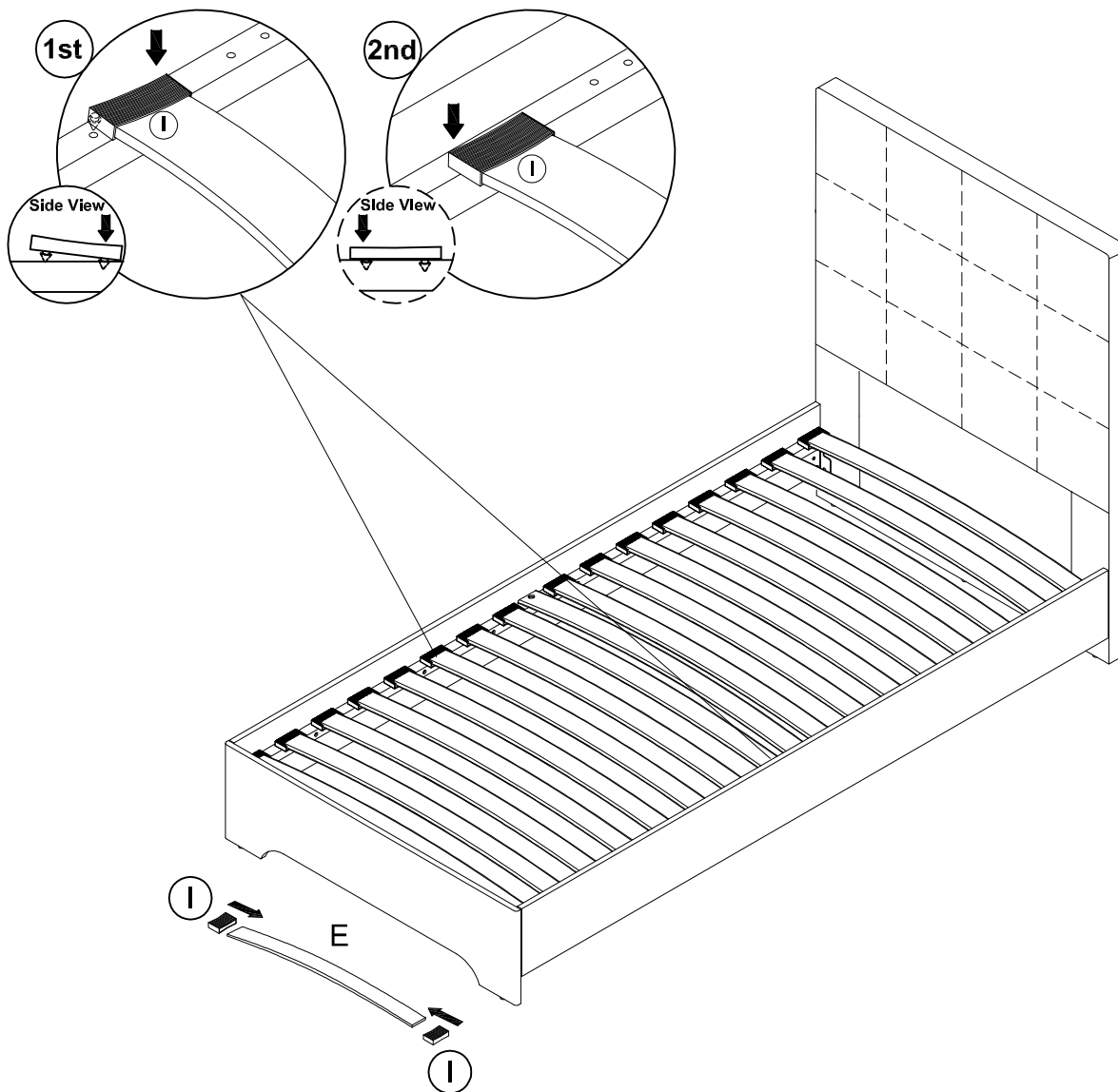


Step 4

- Attach end cap to the bent slat.
Push the end caps to side rail support as shown in step 4-1.

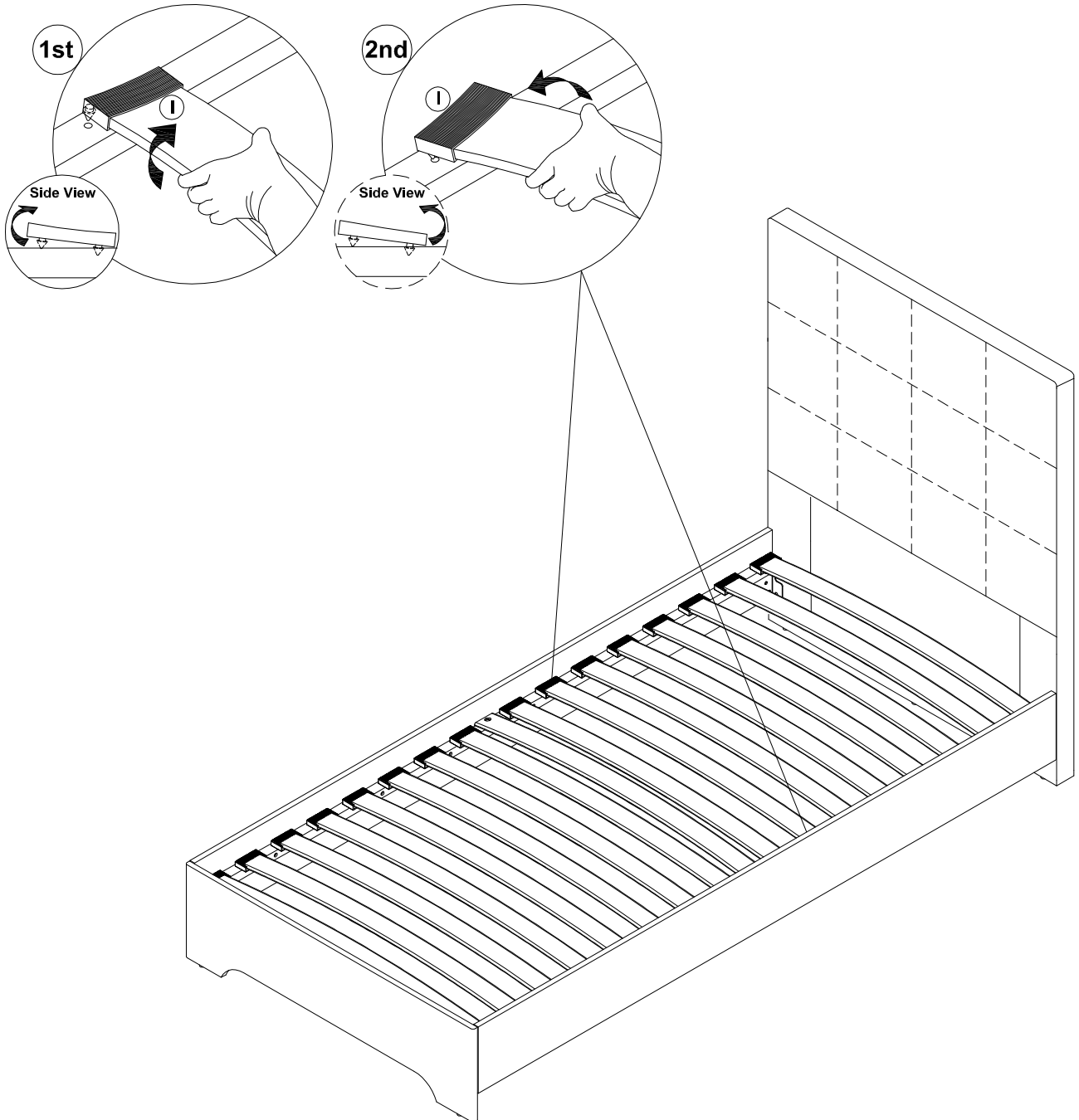
* PLEASE REFER TO PAGE (7 of 7), IF NEED TO REMOVE THE SLAT CAPS FROM THE BED

(STEP 4-1) INSERTING END CAP TO THE SIDE RAIL SUPPORT



(DISMANTLE THE SLAT CAP)

- Remove both end cap from side rail support as shown.



"IMPORTANT! KEEP FOR FUTURE REFERENCE"

This product complies with BS EN 8509:2008+A1:2011

WARNING-Not suitable for children under 4 years.

WARNING-Bed fit for 6 inches to 14 inches mattress.

WARNING-This bed must be placed in a room that has good ventilation in order to keep the humidity low and to prevent mould in and around the bed.

WARNING-Do not place this child's bed near heat sources, windows and other furniture.

WARNING-Do not use this child's bed if any part is broken, torn or missing.

WARNING-Check for any gaps that may trap fingers, limbs and heads.

WARNING-Make sure there is nothing sticking out from the bed which could catch in your child's clothing.

WARNING-Check regularly to make sure the bed frame is sturdy and free from signs of wear and tear.