

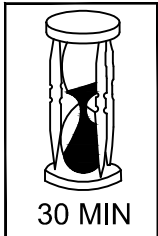
Minimum Two
Persons Assembly



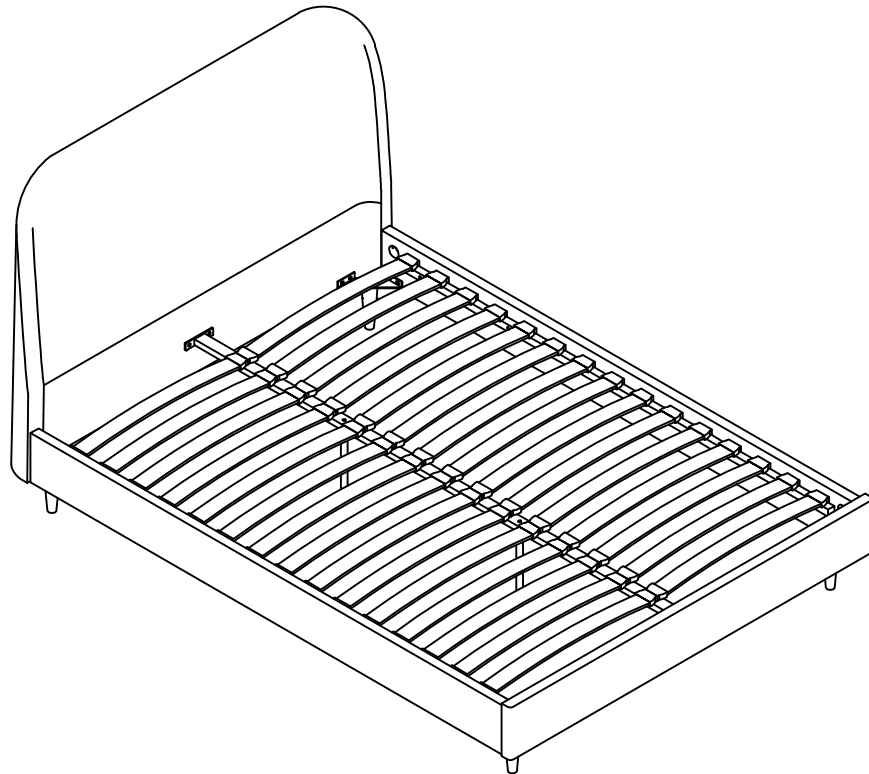
KORA Bedfram 120cm/135cm

STK770001/STK770005/STK770009
STK770003/STK770007/STK770011

Assembly instructions
Please keep these instructions for future reference.



Approximate
Assembly Time



Regrettably self-assembly items cannot be returned once assembly is part or fully completed unless the items are found to be faulty. Should you need to return the unassembled product, please repack in its original packaging.

Important information

- We suggest you spend a short time reading through this leaflet and then follow the simple step-by-step instructions.
- Carefully check that you have all the parts before beginning assembly.
- Keep fittings out of children's reach and keep children well away from construction area.
- We suggest you retain these instructions for future reference.
- In the unusual event of an issue with your product would you please quote the batch I.D. number situated on the main parts of the frame (Head End- Foot End- side Rails).

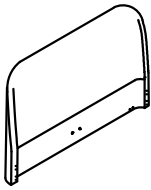
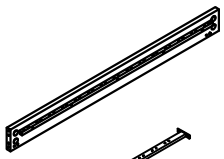

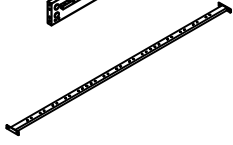

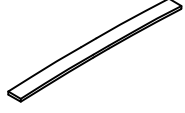


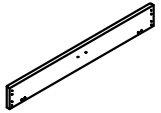

Product information

- Upholstered Bed Using Fabric Material. Conforms to BS EN1725 & BS 5852


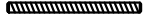




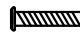
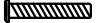
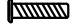





Care instructions

- Avoid exposing the furniture to excessive heat or direct sunlight as this can cause cracking and deterioration of the color.
- Periodically check & re-tighten any fastener.
- Periodically dust lightly with a clean soft cloth.
- Do not use silicone based furniture polish.
- Any spills should be removed immediately with a damp cloth.
- TAKE CARE WHEN MOVING THE FURNITURE AND NEVER DRAG THE PIECES ACROSS THE FLOOR, AS THIS WILL CAUSE DAMAGE TO THE JOINTS

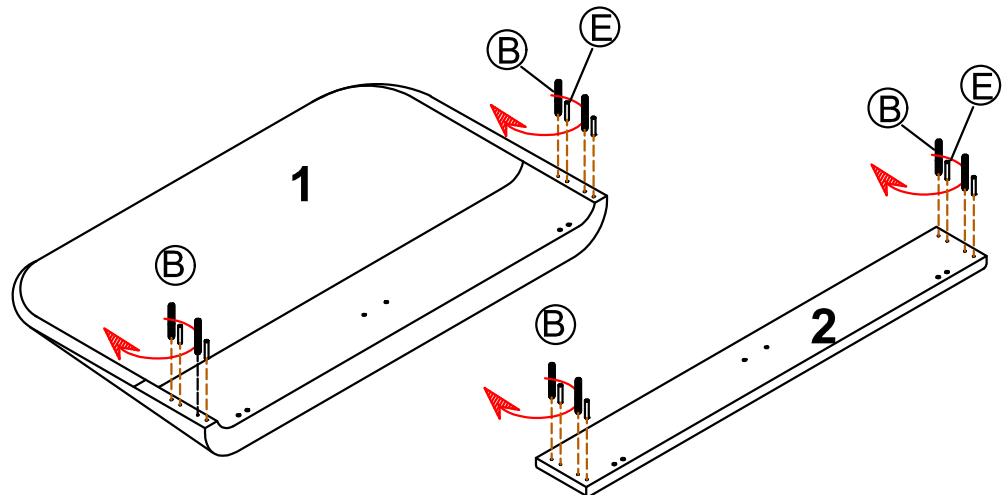
Small Double: 120cm×190cm /Double: 135cm×190cm

| Component of Carton A | | | |
|---|---|---|---|
| (1) Head Board×1 |  | (3) Side Rail (R&L)×2 |  |
| (5) Support Leg×2 |  | (4)Center Rail×1 |  |
| (7) Plastic end cap×34 (spare 4pcs) |  | (6) Slat ×30 |  |
| (8) Plastic center cap×17 (spare 2pcs) |  | (9) Angle Iron ×4 |  |
| Component of Carton B | | | |
| (2) Foot Board×1 |  | (10) Feet ×8 (4pcs in oak and 4pcs in walnut colour for choosing) |  |

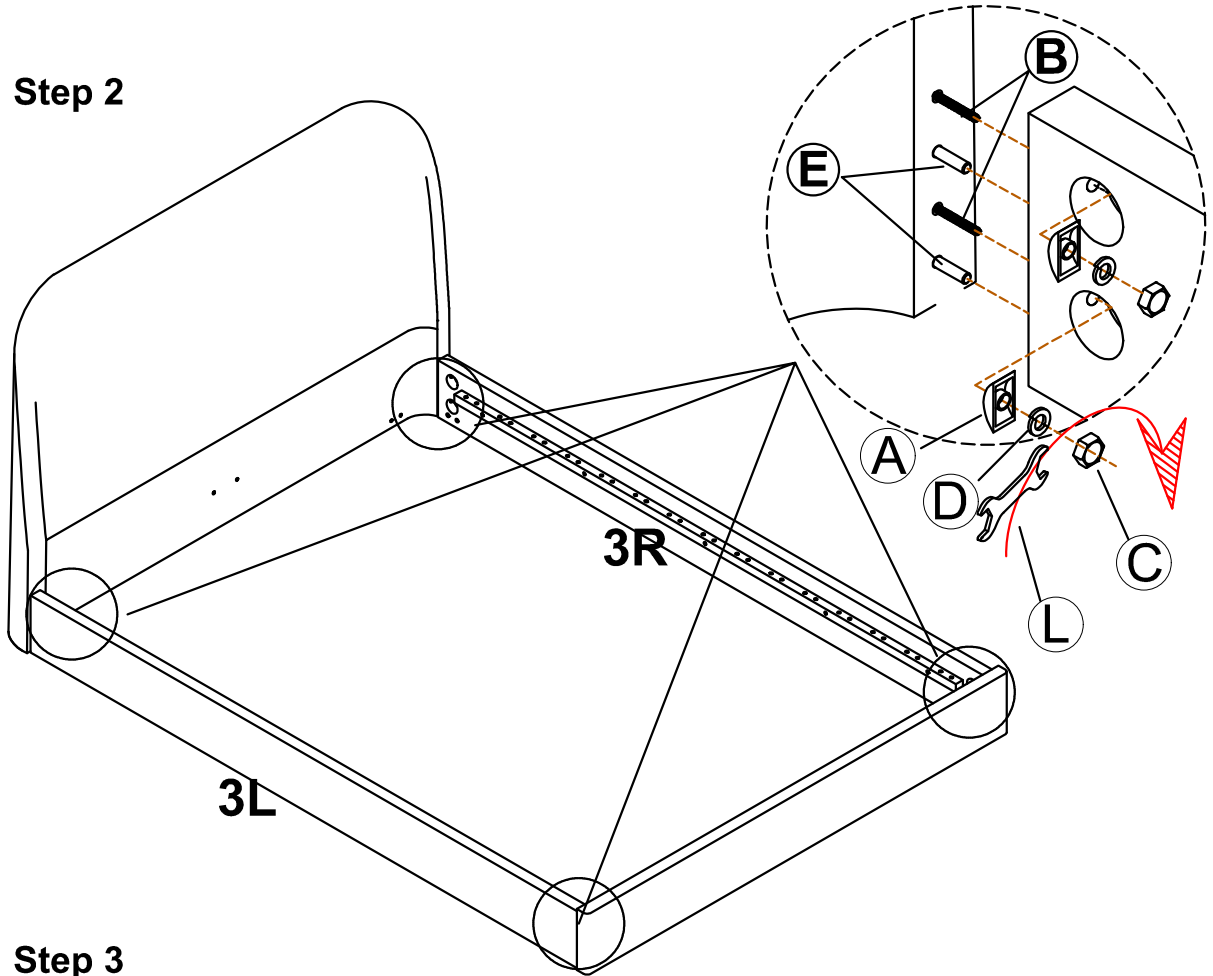
Hardware List

| | | | |
|---|---|--|---|
| (A) Connector ×8  | (B) Connecting bolt 74mm ×8  | (C) M8 Nut ×8  | (D) Ø8 Spring washer ×8  |
| (E) Ø10×40 Dowel ×8  | (F) M6×20 Bolt ×16  | (G) M8×25 Bolt ×4  | (H) M8×35 Bolt ×2(Already inserted into support legs)  |
| (I) M8×20 Bolt ×4  | (J) 4MM Allen key ×1  | (K) 5MM Allen key ×1  | (L) Spanner ×1  |
| (M) Ø8 Flat Washer ×4  | (N) Ø8 Spring washer ×4  | | |

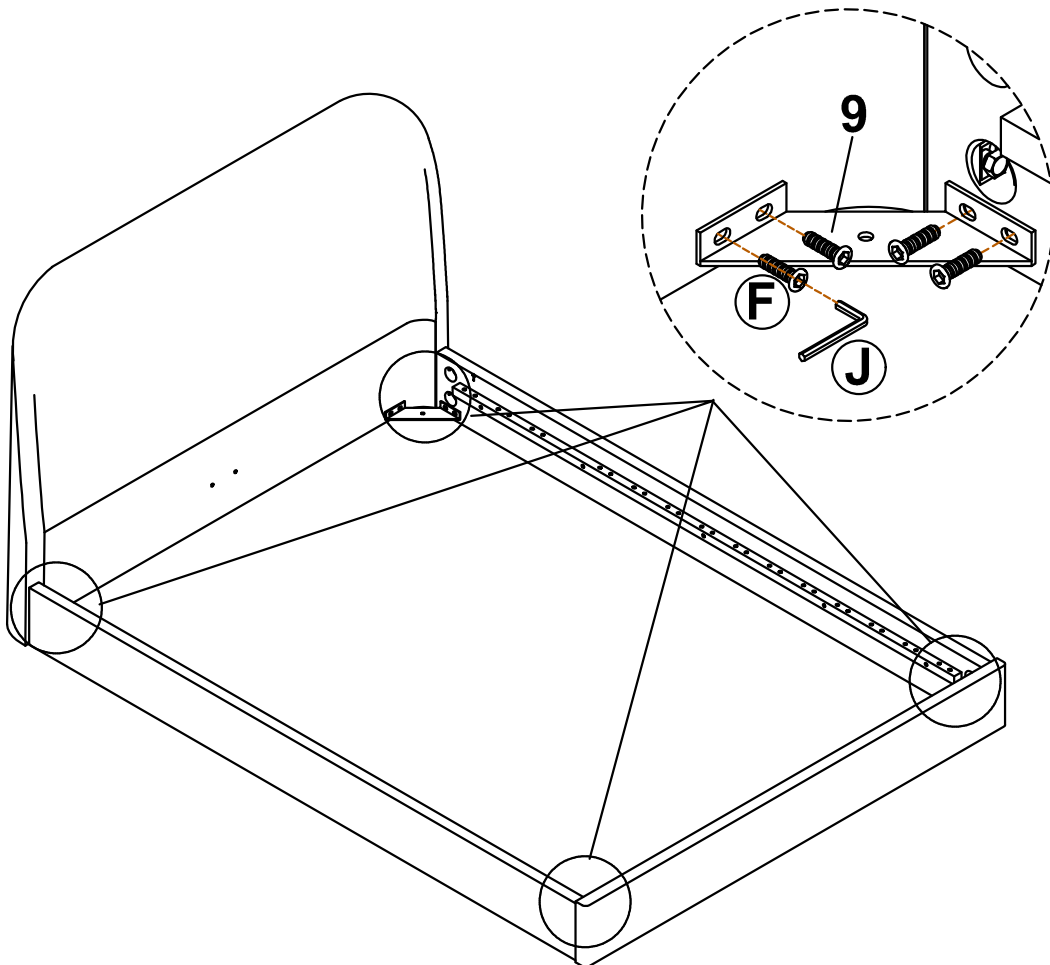
Step 1



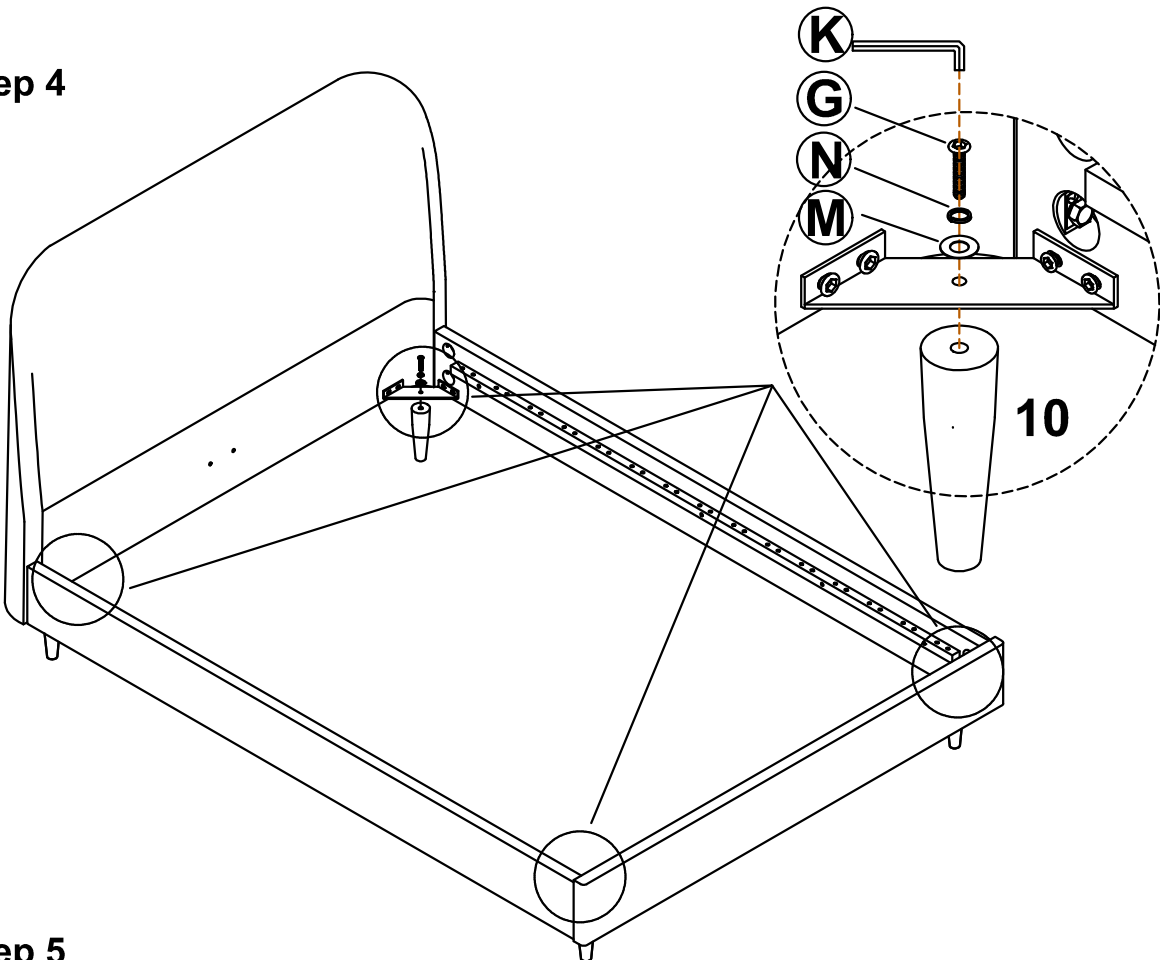
Step 2



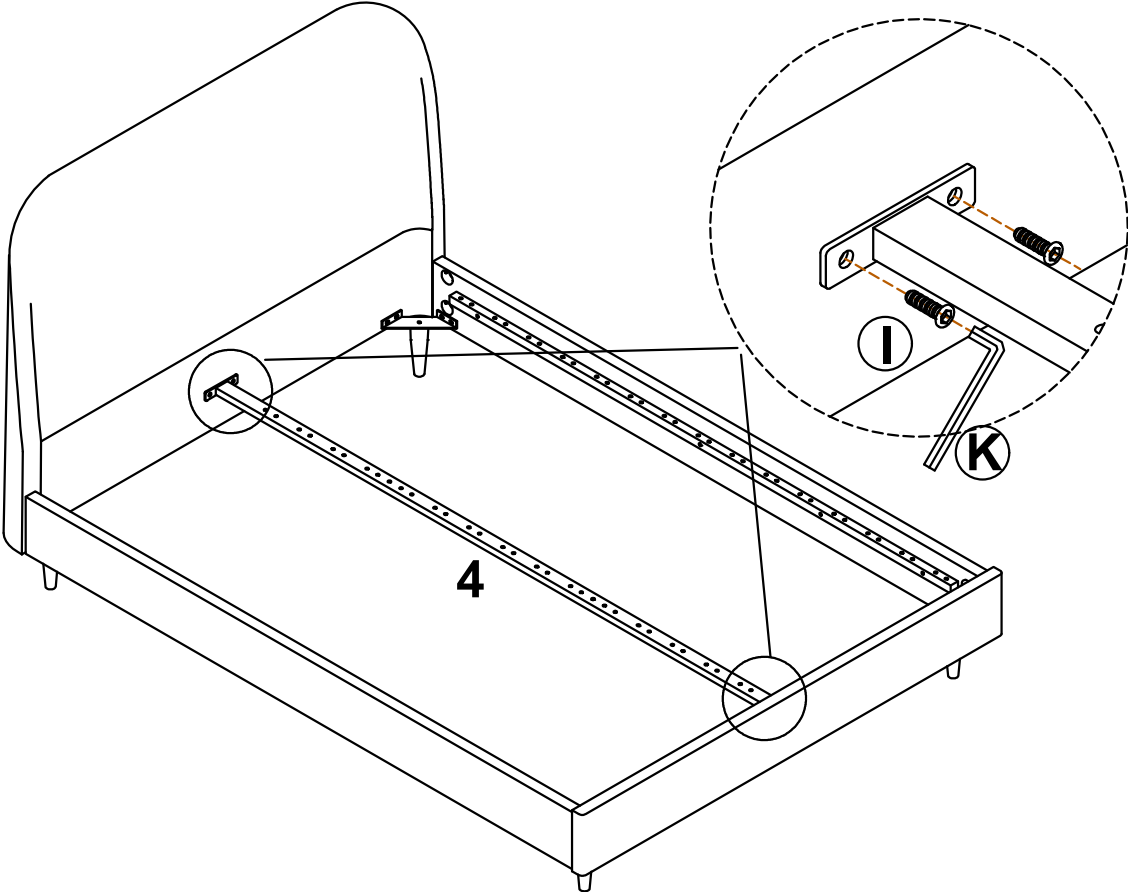
Step 3



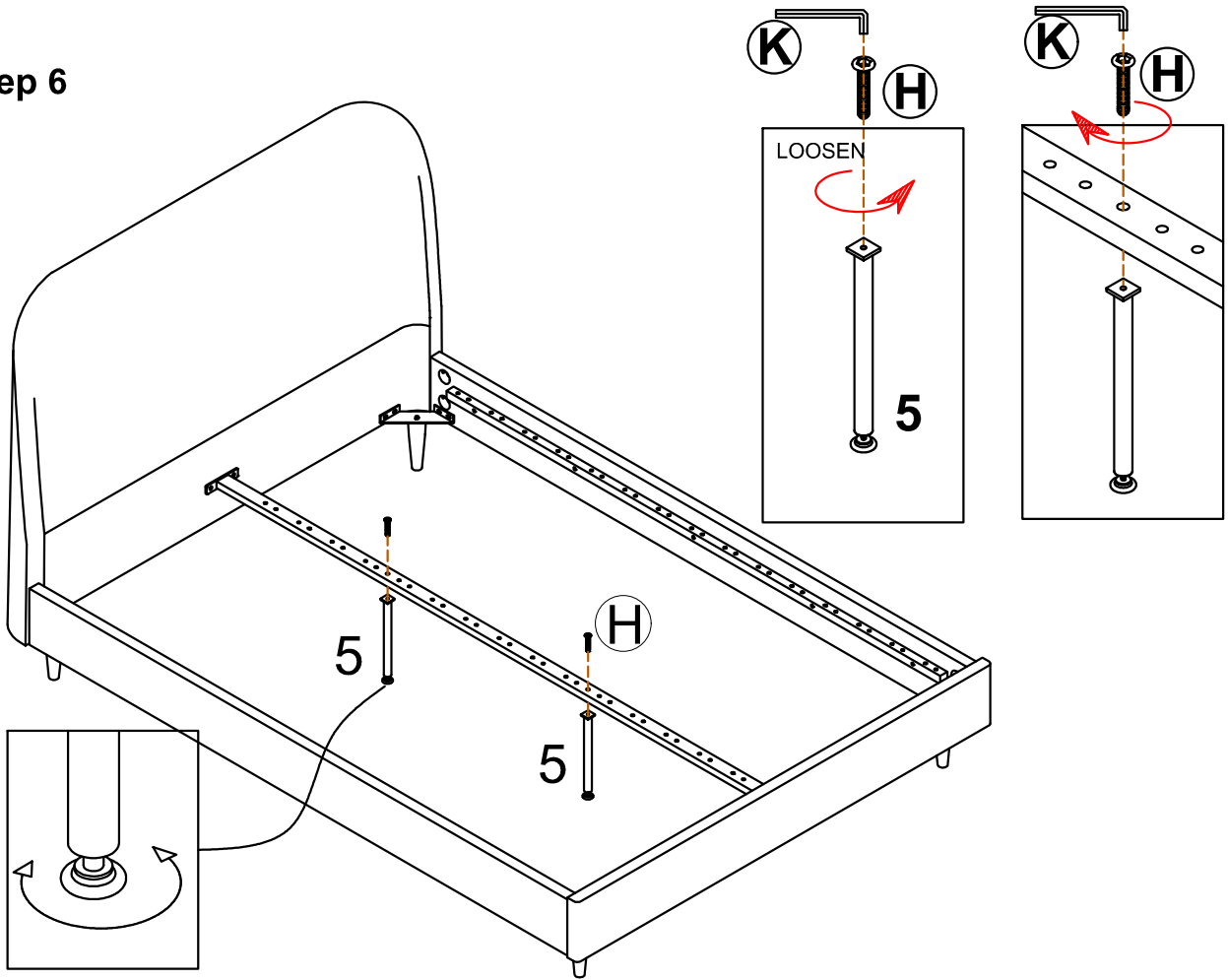
Step 4



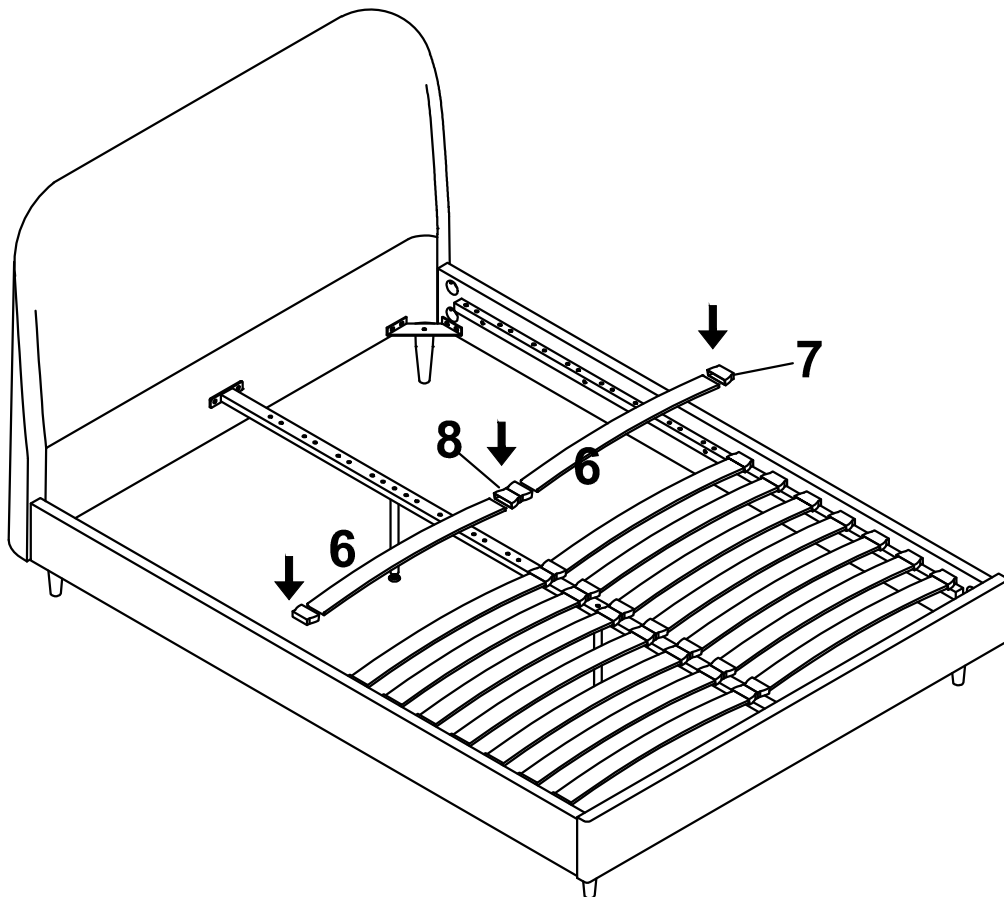
Step 5



Step 6



Step 7



Step 8

