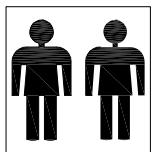
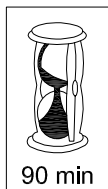


P.O.Number :
Please Keep This Number For
Future Reference
**THIS FORMS PARTS OF
YOUR GUARANTEE!!**



**MINIMUM TWO
PERSON ASSEMBLY**



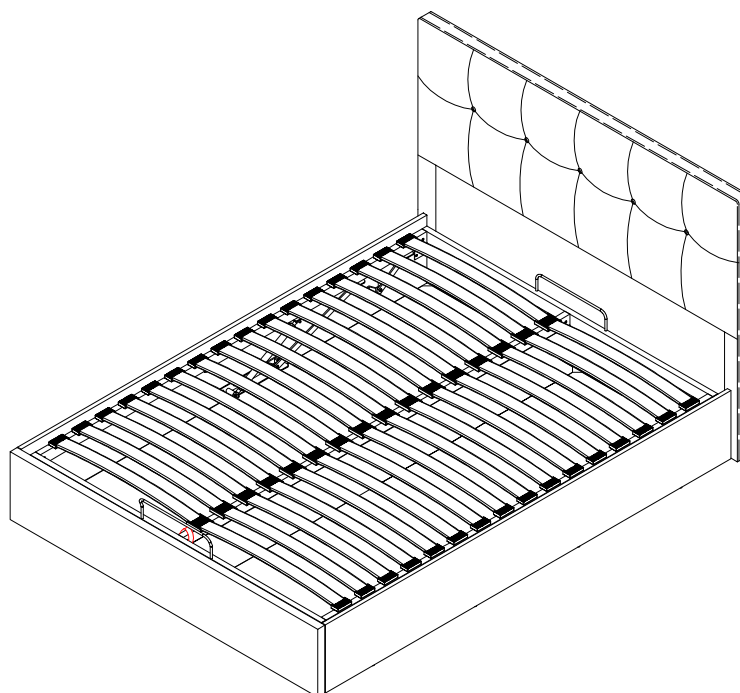
**APPROXIMATE
ASSEMBLY TIME**



**KENNEDY OTTOMAN BEDFRAME FULL
FRONT OTTOMAN 135 / 150 cm
STK558701 / STK558702 / STK558703 / STK558704**

Assembly Instructions

Please keep these instructions for future reference.



Regrettably self-assembly items cannot be returned once assembly is part or fully completed unless the items are found to be faulty. Should you need to return the unassembled product, please repack in its original packaging.

Important Information

- We suggest you spending a short time reading through this leaflet and then follow the simple step-by-step instructions.
- Carefully check that you have all the parts before beginning assembly.
- Keep fittings out of children's reach and keep children well away from construction area.
- We suggest you retaining these instructions for future reference.

Product Information

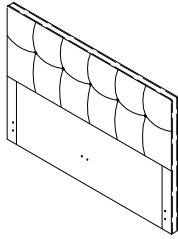
- Upholstered Bed Using Artemis Fabric. Conforms to BS EN 1725 & BS 5852.
- Front lift up storage bed.

Care Instructions

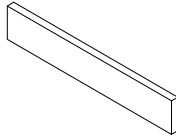
- Avoid exposing the furniture to excessive heat or direct sunlight as this can cause cracking or deterioration of the color.
- Periodically check & re-tighten any fastener.
- Periodically dust lightly with a clean soft cloth.
- Do not use silicone based furniture polish.
- Any spills should be removed immediately with a damp cloth.
- **TAKE CARE WHEN MOVING THE FURNITURE AND NEVER DRAG THE PIECES ACROSS THE FLOOR, AS THIS WILL CAUSE DAMAGE TO THE JOINTS.**

Component of Carton A

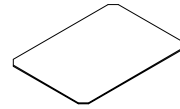
(A) Headboard x 1



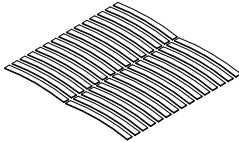
(B) Footboard x 1



(C) Bottom Base Panel x 4



(D) Slat
x 30 (Double)
x 32 (King)

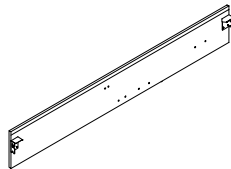


Component of Carton B

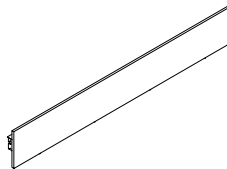
(E) Lock Device
(FEMALE PART) x 1



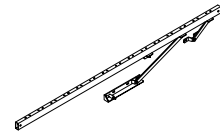
(F) Side Rail-Left x 1



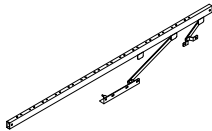
(G) Side Rail-Right x 1



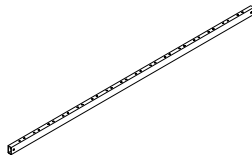
(H) Lift Up Mechanism
Left x 1



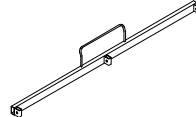
(I) Lift Up Mechanism
Right x 1



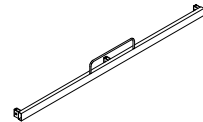
(J) Center Rail x 1



(K) Lift Up Mechanism
Back x 1



(L) Lift Up Mechanism
Front x 1



Hardware List (in Carton A)

(M) M8 x 20mm
x 4 (Pre-Installed)



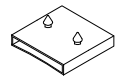
(M-1) M8 x 16mm
x 4 (Pre-Installed)



(N) End Cap
x 30 or 32



(O) Middle Cap
x 15 or 16



Hardware List (in Carton B)

(P) M6 x 20mm
x 6



(Q) JCN Nut
M6 x 20mm
x 6



(R) M6 Washer
x 6



(S) M8 Washer
x 20



(T) M8 x 20mm
x 20



(U) M6 Spring
Washer
x 6



(V) M8 Nut
x 4



(W) Spanner
x 1



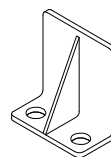
(X) Screw Driver
x 1



(Y) Allen Key M4
x 2



(Z) L Support
Bracket
x 4

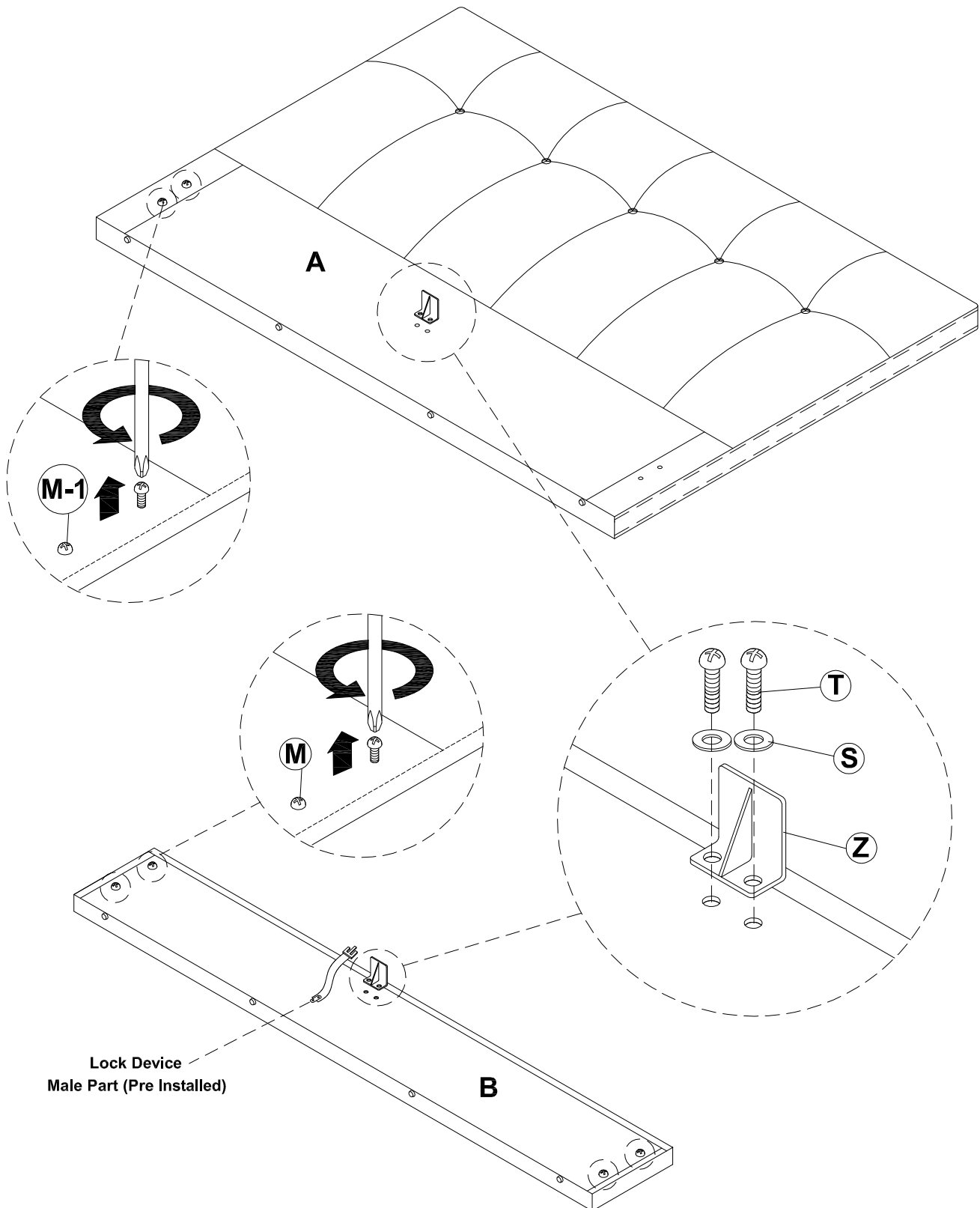


(AA) Gas Cylinder
x 2
KING - 700N
DOUBLE - 650N



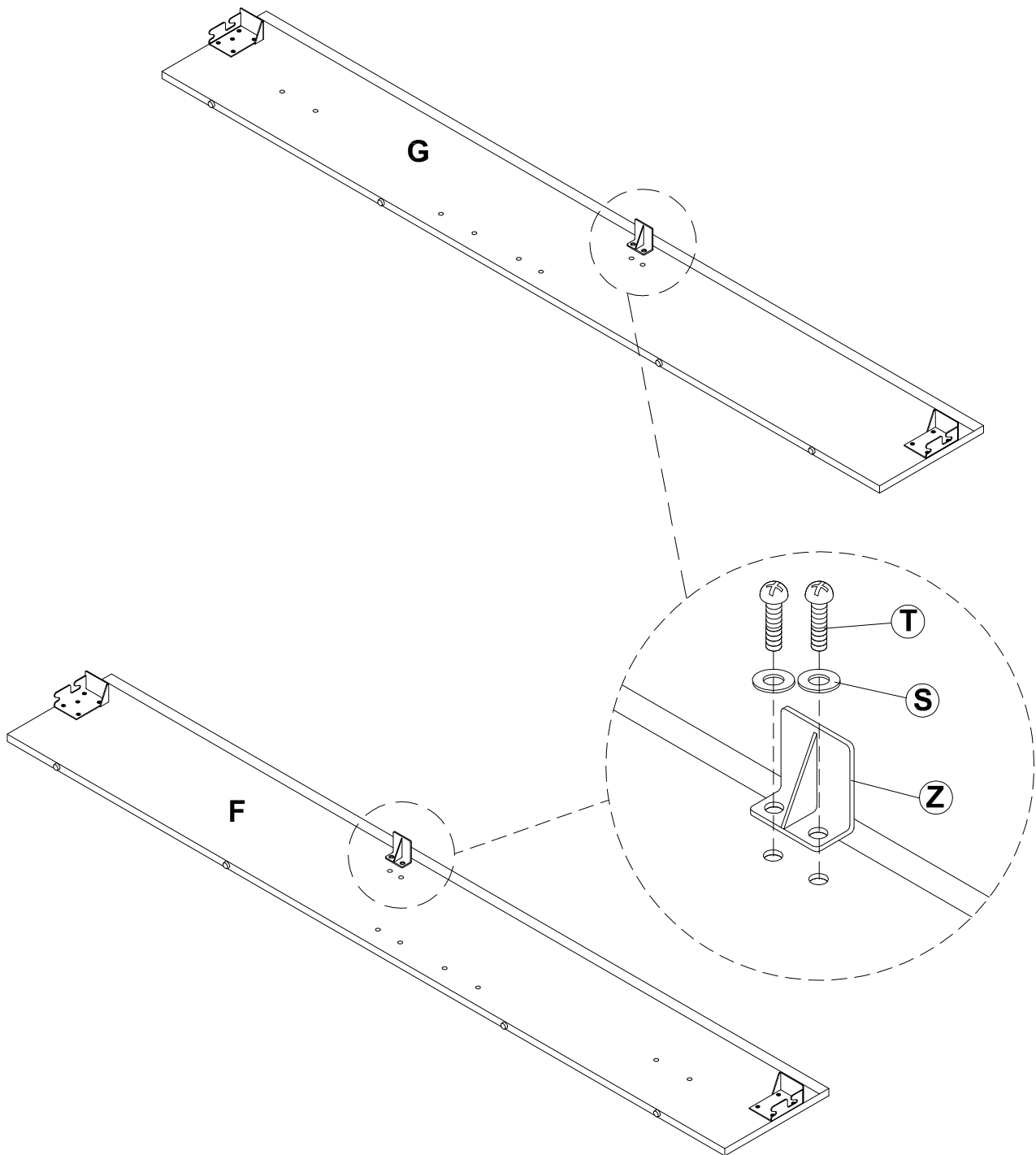
Step 1

- Loosen the bolts located in the head end (A) and foot end (B). (Note: only loosen the bolts Do **Not** remove them.)
- Attach the L Support Bracket (Z) to the head end and foot end as shown. Fix the L Support Bracket using screw (T) and washer (S).
- Tighten the screw using screw driver (X).



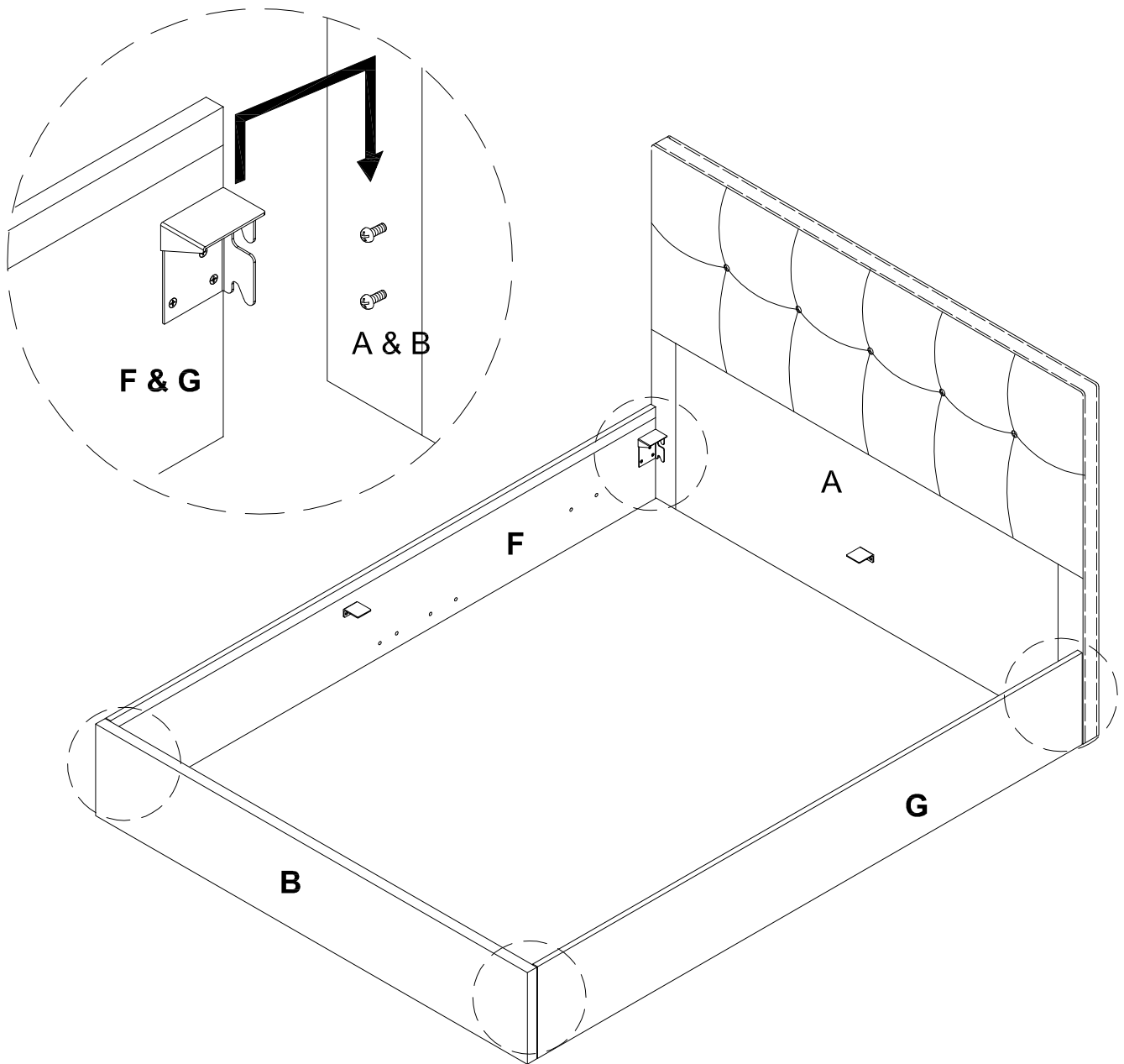
Step 2

- Attach the L Support Bracket (Z) to the side rail (F) and (G) as shown. Fix the L Support Bracket using screw (T) and washer (S).
- Tighten the screw using screwdriver (X).



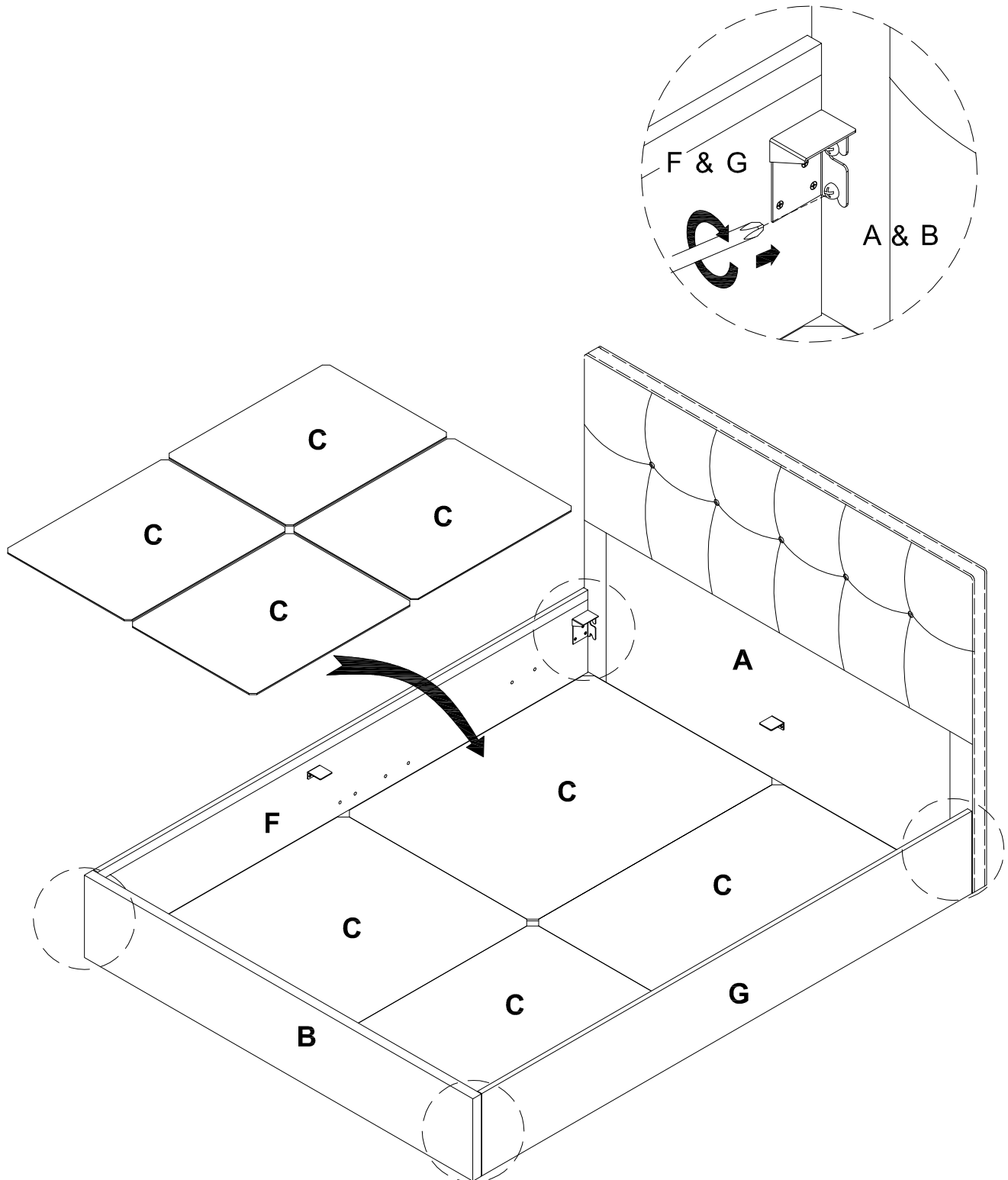
Step 3

- Hook the side rail over the bolts as shown.
- Repeat the action on the opposite side.
- Leave bolts finger tight (Do Not Tighten).



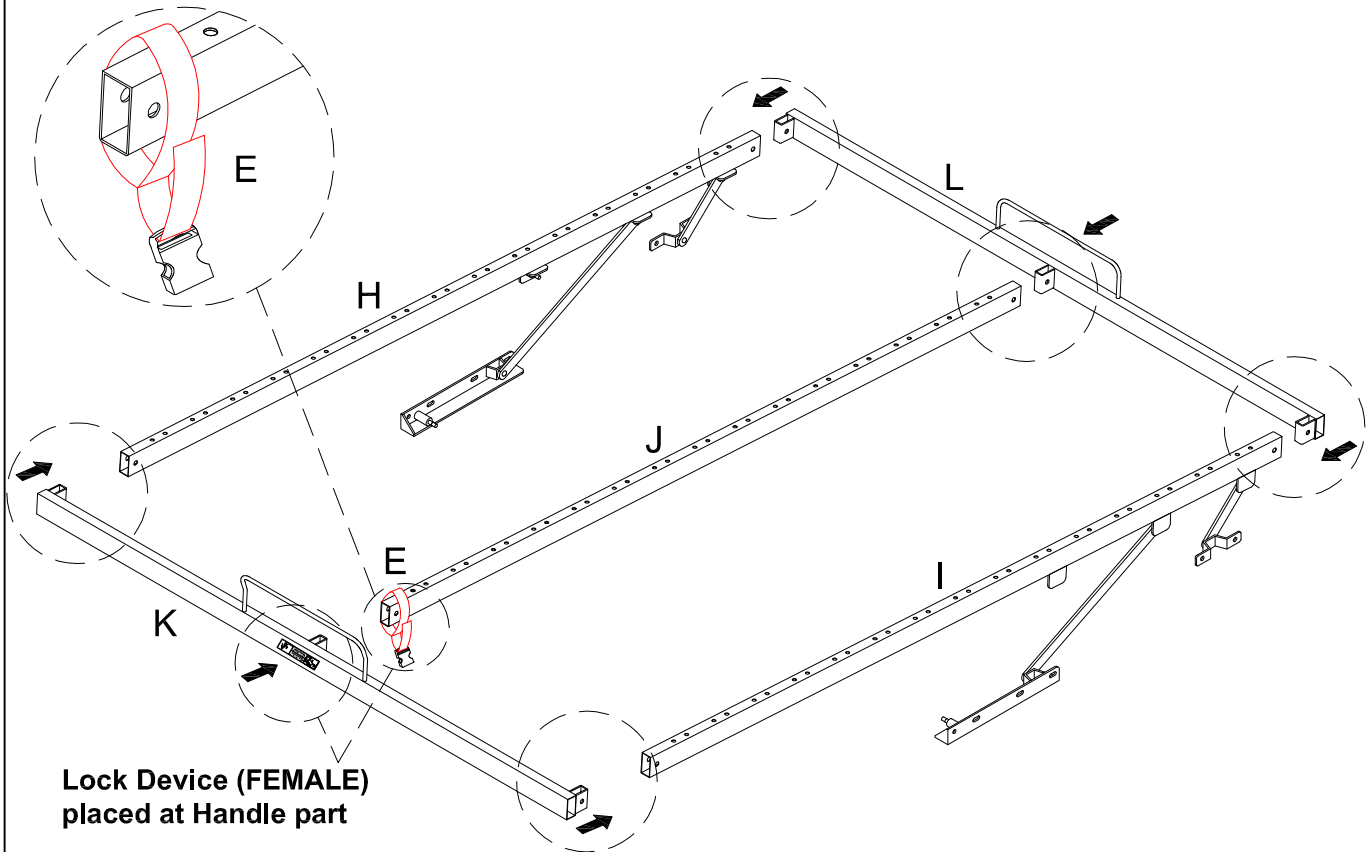
Step 4

- Carefully place the Bottom Base Panel (C) inside the bed as shown.
- Fully tighten the Side Rail (F) & (G), head end & foot end.

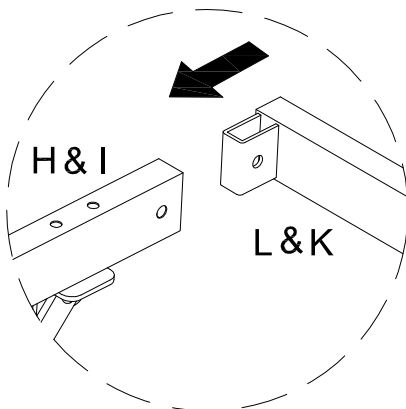


Step 5

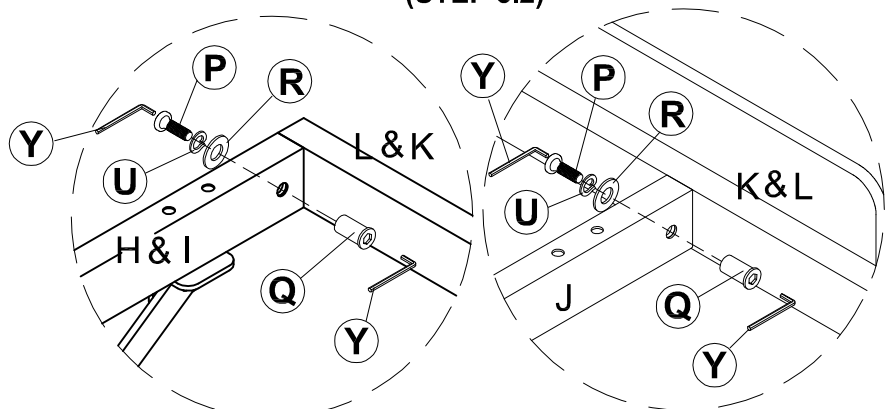
- Attach the Lock Device (FEMALE PART)(E) to the Center Rail (J) as shown .
- Insert Lift Up Mechanism front (L), Lift up Mechanism back (K) & Center Rail (J) to the Lift Up Mechanism Left (H) & Right(I).
- Assemble the Lift Up Mechanism with the screw (P), JCN Nut (Q), Washer (R) & Spring Washer (U) using Allen Key (Y) as shown.
- Fully tighten all the screw.



(STEP 5.1)

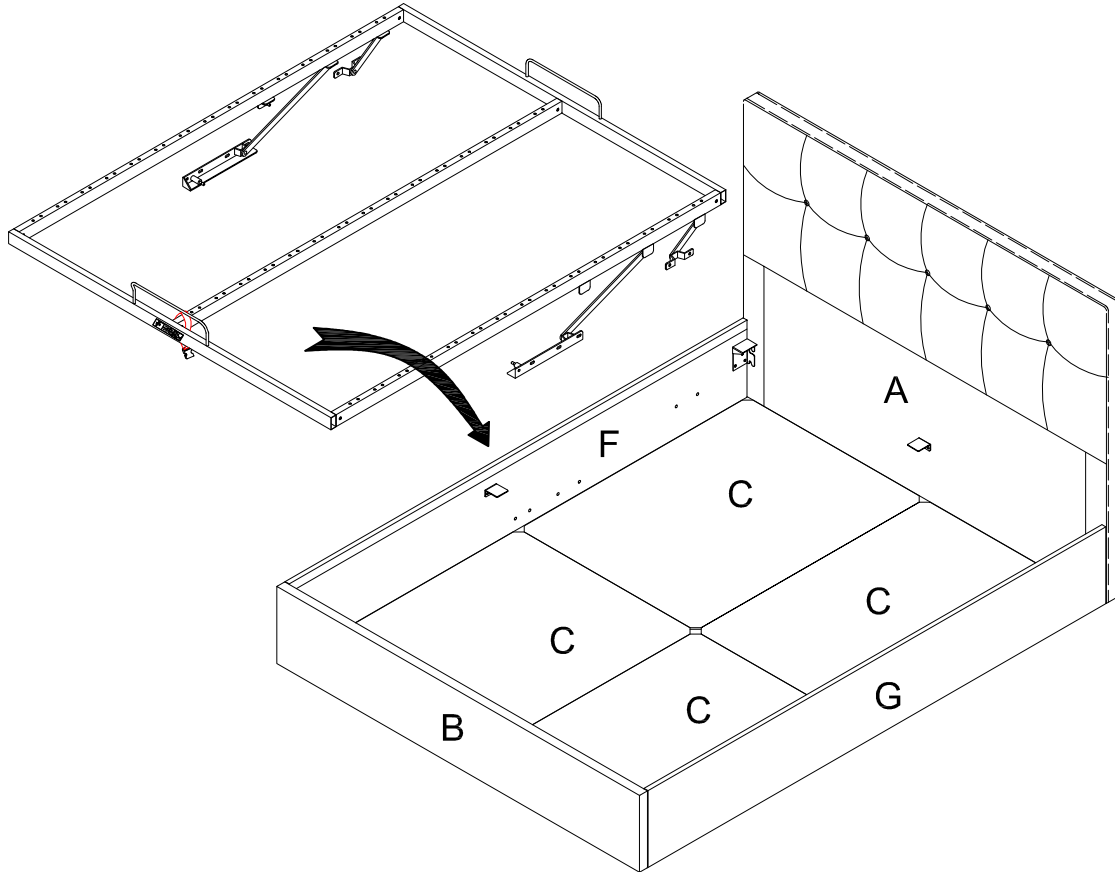


(STEP 5.2)



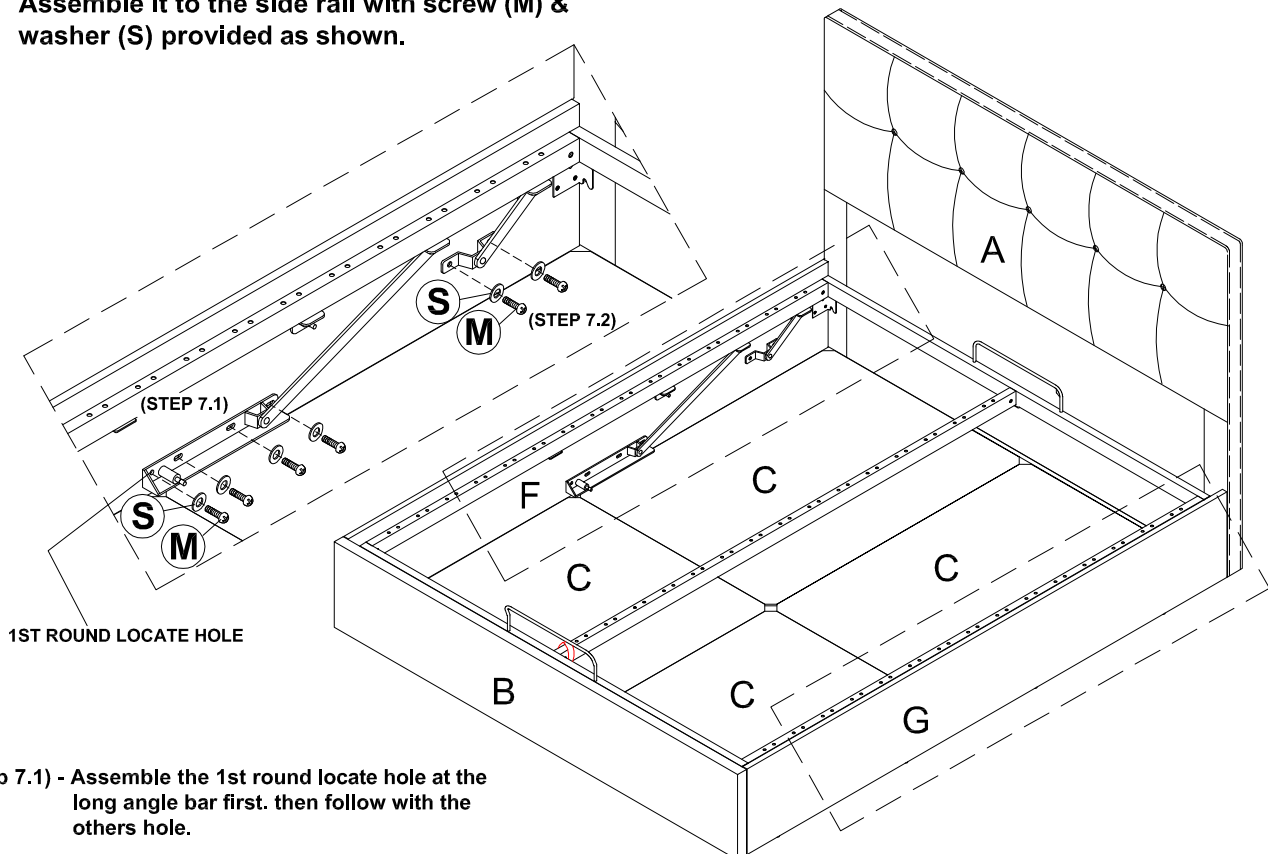
Step 6

- Carefully place the Lift Up Mechanism on the side rail hook bracket & L Support Bracket.



Step 7

- Assemble it to the side rail with screw (M) & washer (S) provided as shown.

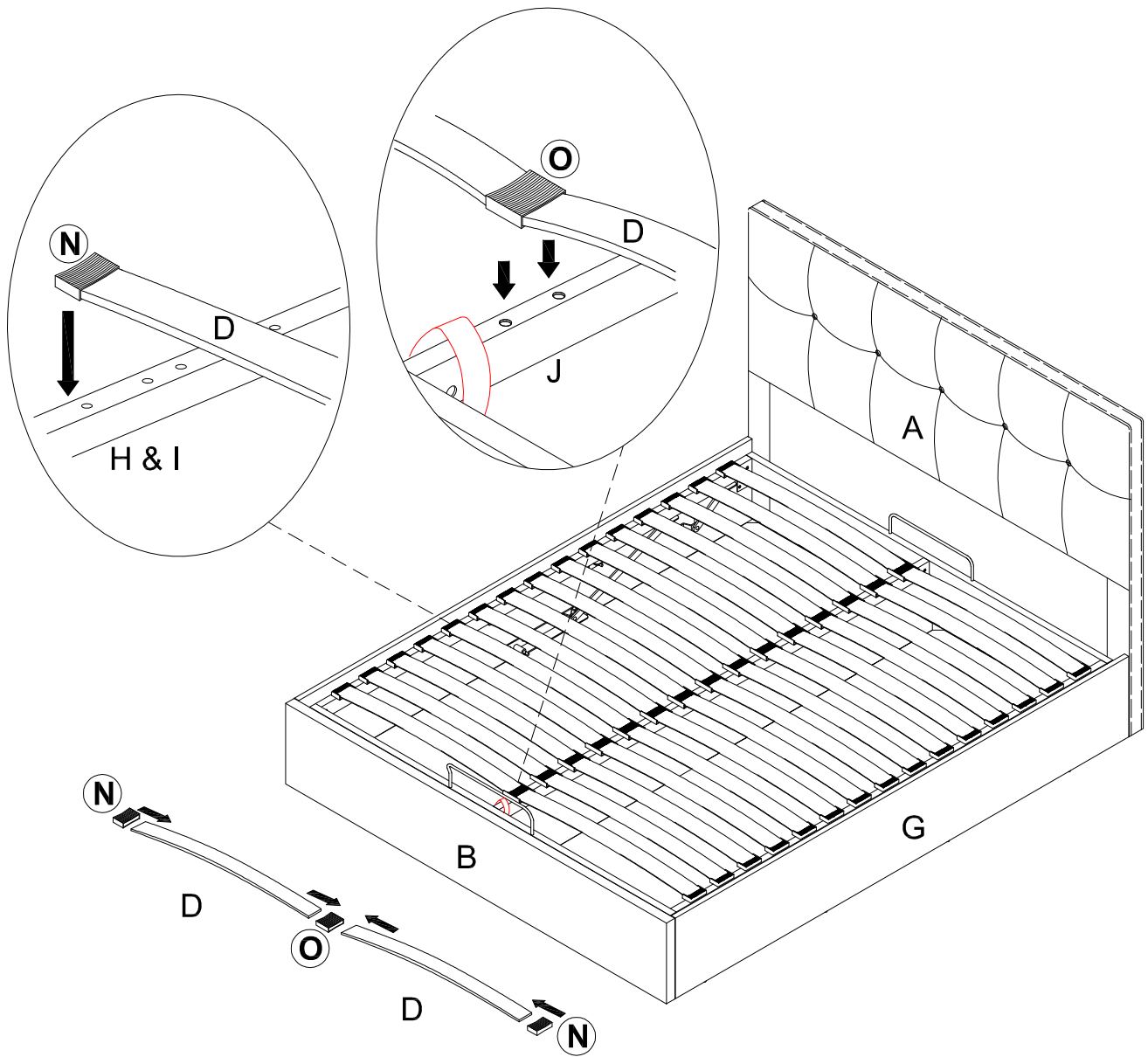


(step 7.1) - Assemble the 1st round locate hole at the long angle bar first. then follow with the others hole.

(step 7.2) - then assemble the short angle bar.

Step 8

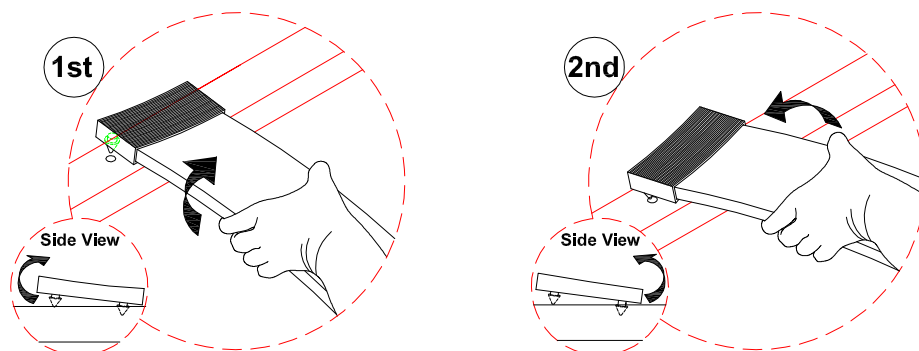
- Attach middle cap and end cap to the bend slat.
- Push the middle cap into the center rail first. Then end caps to Lift Up Mechanism.



(DISMANTLE THE SLAT CAP)

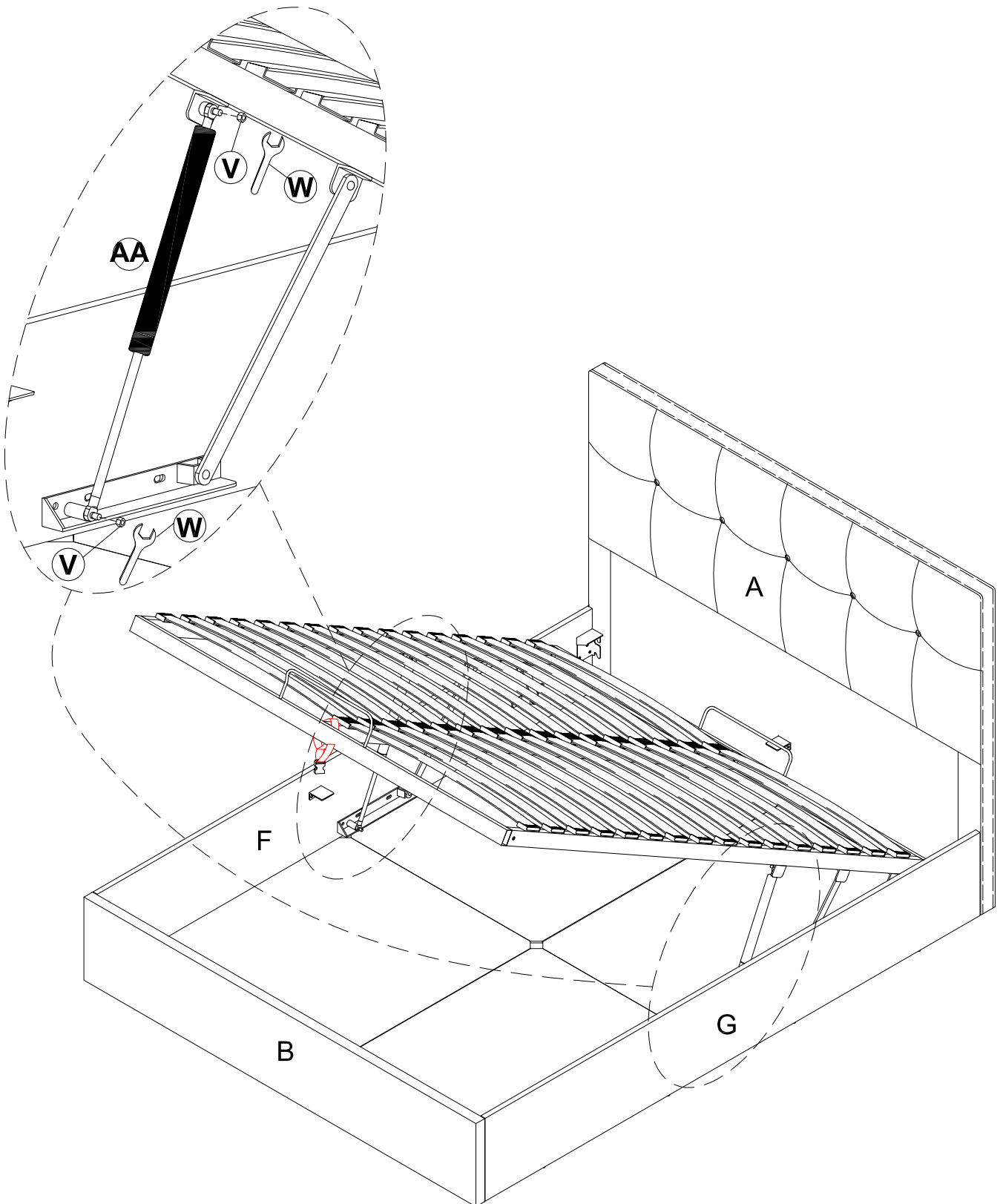
Step 9

- Firstly, remove both end cap from Lift Up Mechanism & remove one side of slats as shown.



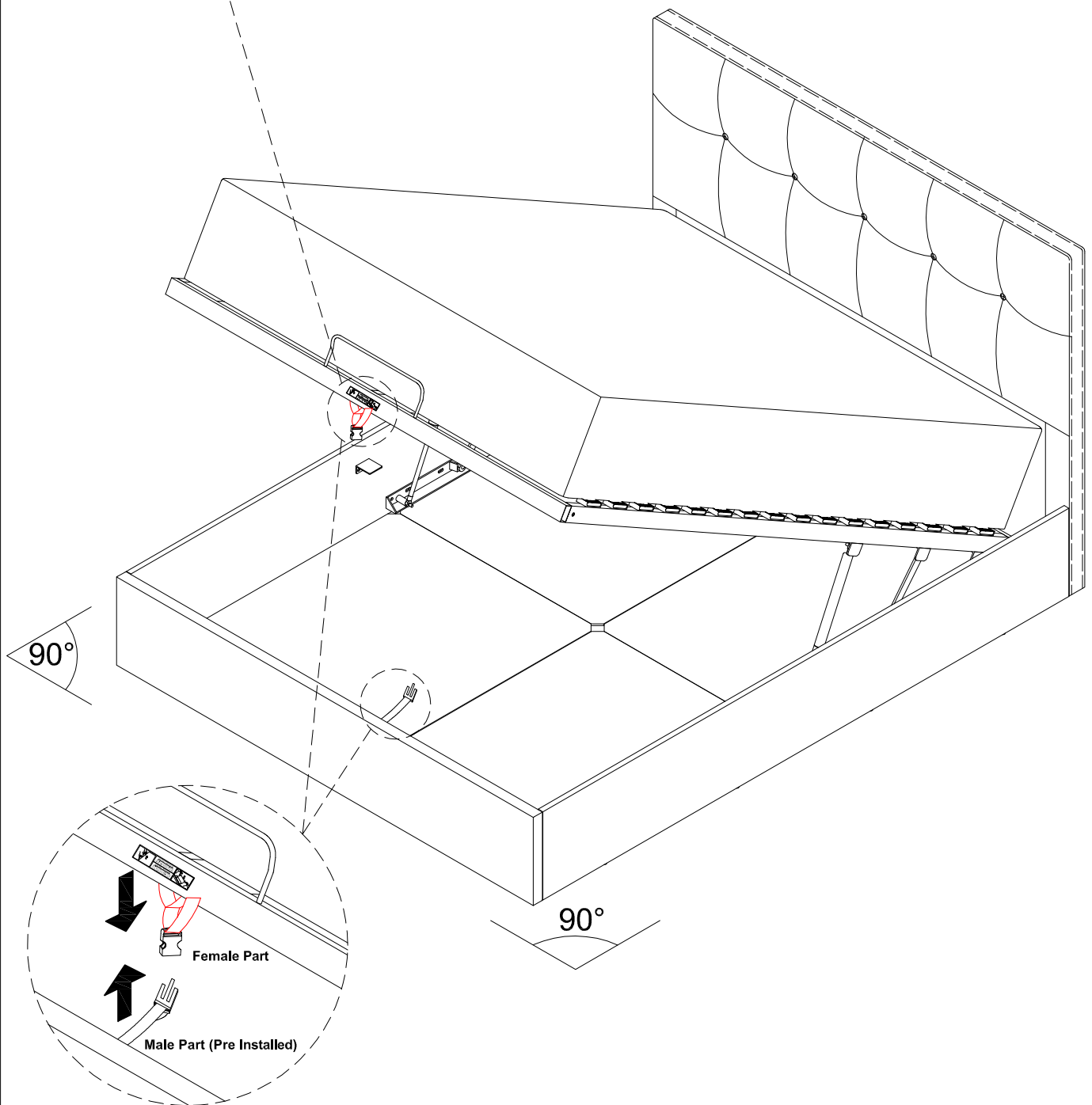
Step 10

- Assemble the gas cylinder (AA) to the Lift up Mechanism with Nut (V) & Spanner (W) provided as shown.



Step 11

- Make sure the bed corners are always square at 90 degree's before closing the sleeping base.
- Push the mechanism down to lock the Lock Device (FEMALE & MALE) as shown.



IMPORTANT NOTICE

- Always use both handles to lift the metal base.
- Always use both hands to lower down the metal base
- The mattress must be fitted to the metal base in order for it to close.
- Do not operate the Lift Up Mechanism without the mattress fitted to the metal base

Caution : Please be aware, if the mattress is removed the lift up base may lift up on its own.

"IMPORTANT NOTICE"

- WARNING: PLEASE DO NOT ALLOW CHILDREN OR PETS INSIDE THE STORAGE AREA.
- WARNING: PLEASE BE CAREFUL WHEN LIFTING. ONLY LIFT WITH MATTRESS ON TOP. TO BE OPERATED BY ADULTS ONLY.
- WARNING: PLEASE DO NOT PRESS DOWN ON THE MATTRESS WHEN THE BED FRAME IS IN THE LIFT UP POSITION.
- WARNING: THE BED FRAME TOP MUST BE ONLY CLOSED BY USING BOTH HANDS.

PLEASE READ THE FOLLOWING INSTRUCTIONS.

1. KEEP AWAY FROM DIRECT SUNLIGHT TO AVOID DISCOLORATION.
2. DO NOT DRAG THE BED ACROSS THE FLOOR WHEN POSITIONING OR MOVING WHILST CLEANING.
3. WIPE CLEAN WITH A DAMP CLOTH.
4. TIGHTEN ALL SCREW AT REGULAR INTERVALS, TO AVOID DAMAGE TO THE FRAME.
5. ENJOY YOUR PRODUCT.

