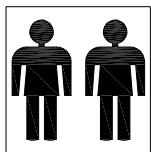
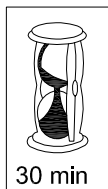


P.O.Number :
Please Keep This Number For
Future Reference
**THIS FORMS PARTS OF
YOUR GUARANTEE!!**

bensons
for **beds**



**MINIMUM TWO
PERSON ASSEMBLY**



**APPROXIMATE
ASSEMBLY TIME**

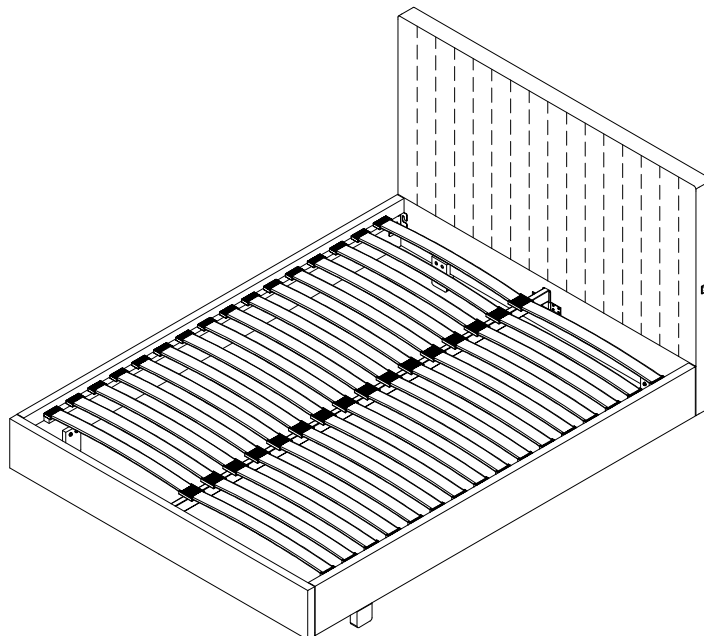
BERGAMO USB/C CHARGING BEDFRAME

120 / 135 / 150 cm

STK448503 / STK448504 / STK448505

Assembly Instructions

Please keep these instructions for future reference.



Regrettably self-assembly items cannot be returned once assembly is part or fully completed unless the items are found to be faulty. Should you need to return the unassembled product, please repack in its original packaging.

Important Information

- We suggest you spend a short time reading through this leaflet and then follow the simple step-by-step instructions.
- Carefully check that you have all the parts before beginning assembly.
- Keep fixings out of children's reach and keep children well away from construction area.
- We suggest you retain these instructions for future reference.

Product Information

- Conforms to BSEN 1725.
- Upholstered Fabric & Fillings Conform to BS5852.

Care Instructions

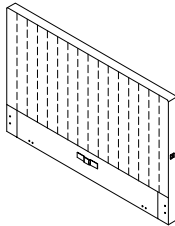
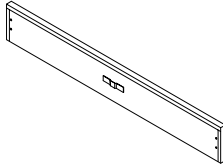
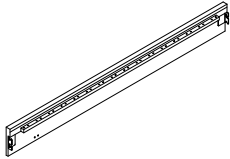
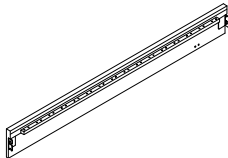
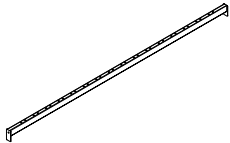
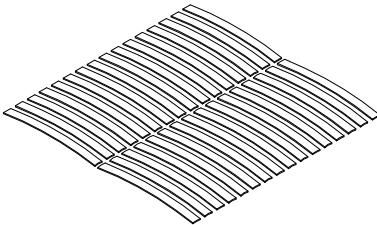
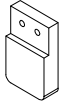


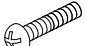

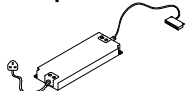
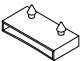

- Avoid exposing the furniture to excessive heat or direct sunlight as this can cause cracking and deterioration of the color.
- Periodically check & re-tighten any fixing.
- Periodically dust lightly with a clean soft cloth.
- Any spills should be removed immediately with a damp cloth.
- **TAKE CARE WHEN MOVING THE FURNITURE AND NEVER DRAG THE PIECES ACROSS THE FLOOR, AS THIS WILL CAUSE DAMAGE TO THE JOINTS.**



Comforms To : CE_Double USB Type C Charger:

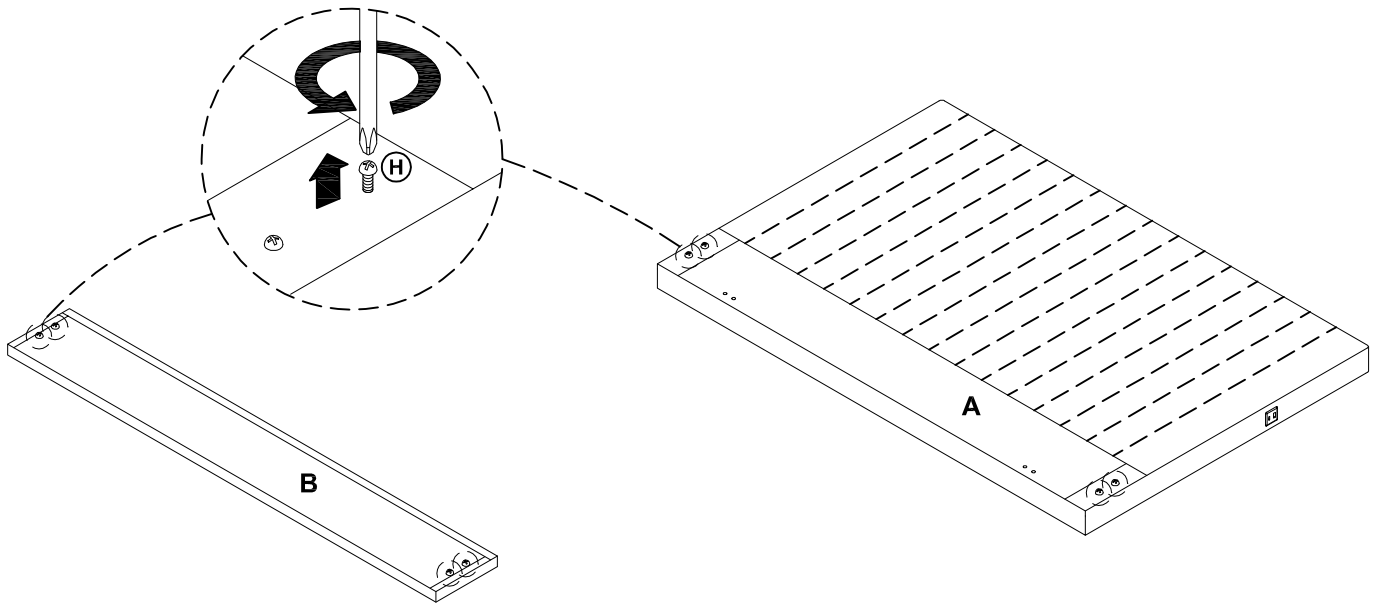
EN 55032:2015+A11:2020 ; EN 55035:2017+A11:2020

**4FT / 120 cm x 190 cm
Double 135cm x 190 cm & King / 150 cm x 200 cm**

Component of Carton 1		Component of Carton 2	
<p>(A) Headboard x 1</p> 		<p>(B) Footboard x 1</p> 	<p>(C) Side Rail (L) x 1</p> 
<p align="center">Component of Carton 3</p>		<p>(D) Side Rail (R) x 1</p> 	<p>(E) Centre Rail x 1</p> 
		<p>(G) Slat x 30 (UK 4FT & Double) x 32 (King)</p> 	<p>(F) Leg x 4</p> 
Hardware List (in Carton 1)			
<p>(H) M8 x 25mm x 4 (Pre-Installed)</p>  <p>(Carton 1)</p>			
Hardware List (in Carton 2)			
<p>(H) M8 x 25mm x 4 (Pre-Installed)</p>  <p>(Carton 2)</p>	<p>(I) M8 x 30mm x 8</p>  <p>(Carton 2)</p>	<p>(J) Screw Driver x 1</p>  <p>(Carton 2)</p>	<p>(K) Power Adapter x 1</p>  <p>(Carton 2)</p>
Hardware List (in Carton 3)			
<p>(M) End Cap</p>  <p>30 x 4FT & Double Bed 32 x King Bed</p> <p>(Carton 3)</p>	<p>(N) Middle Cap</p>  <p>15 x 4FT & Double Bed 16 x King Bed</p> <p>(Carton 3)</p>		

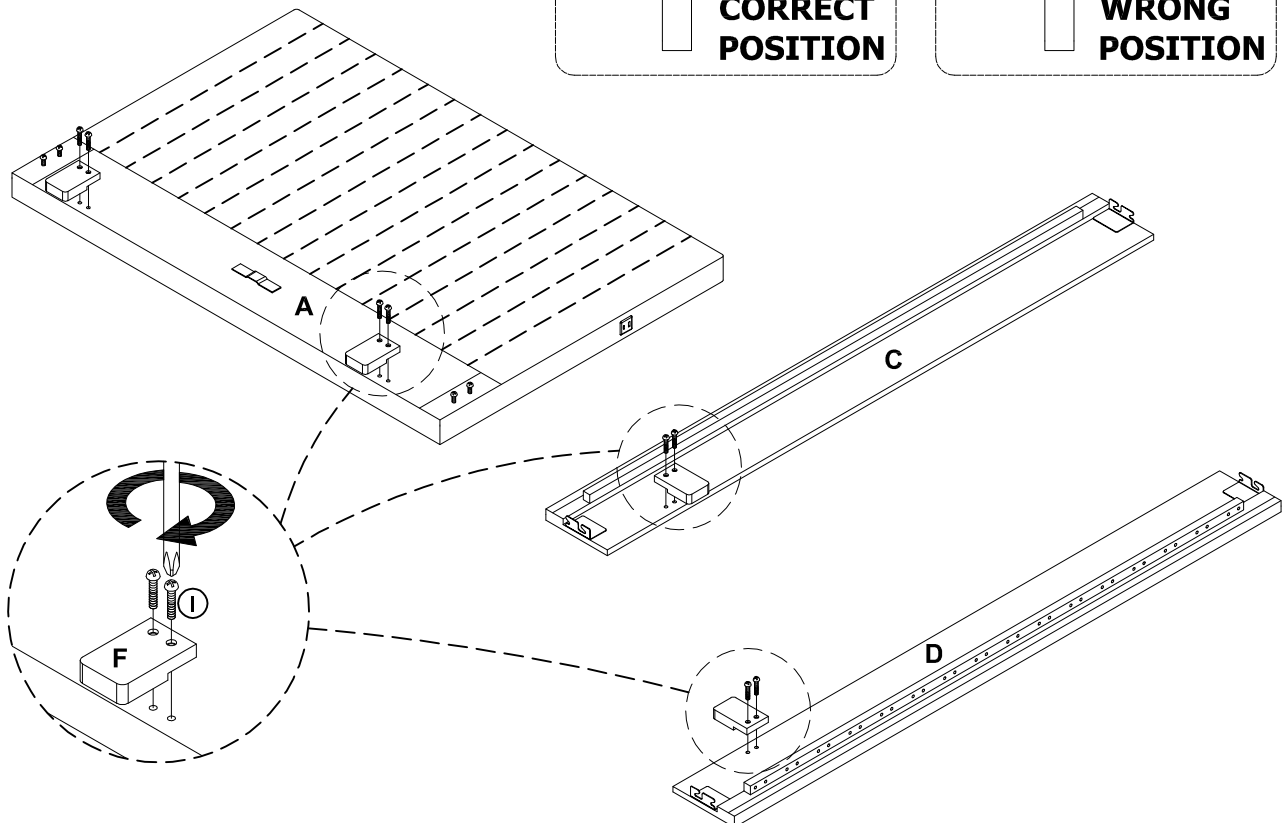
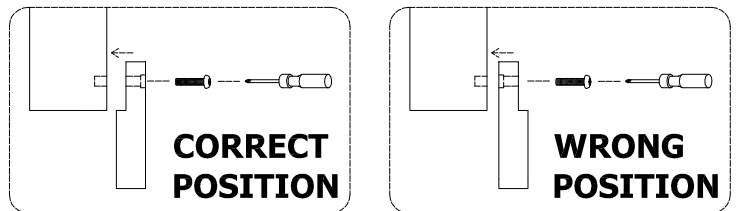
Step 1

- Loosen side rail attachment bolts from head and foot ends.
- Please note these bolt should only be loosened and NOT removed.



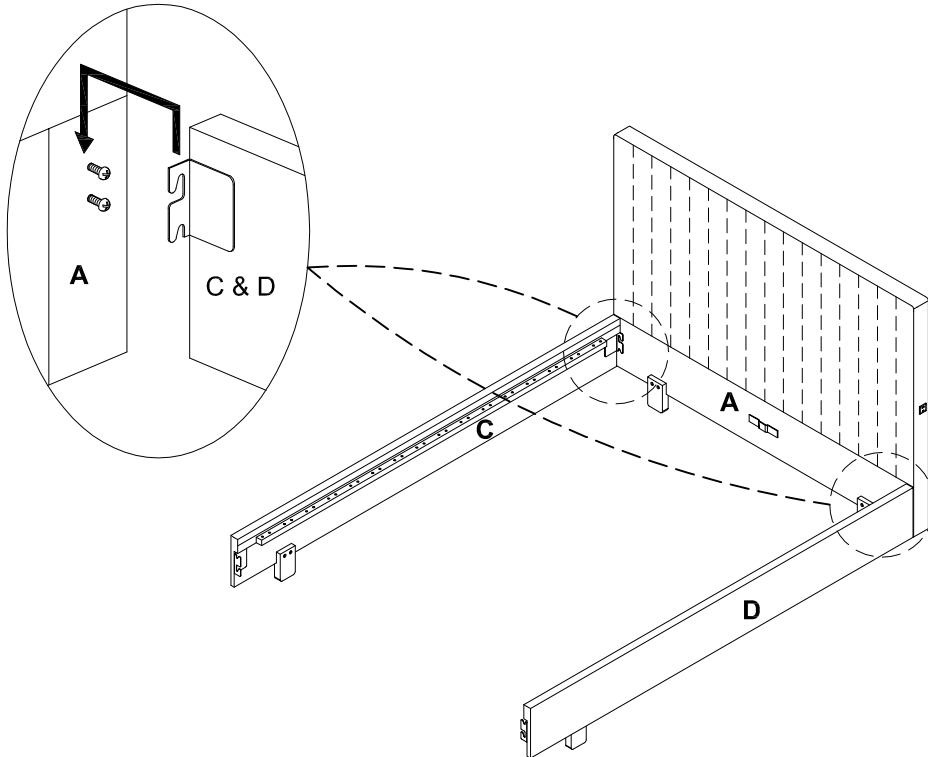
Step 2

- Attach the leg to the head end and side rail using the provided bolts. Fully tighten all screw.



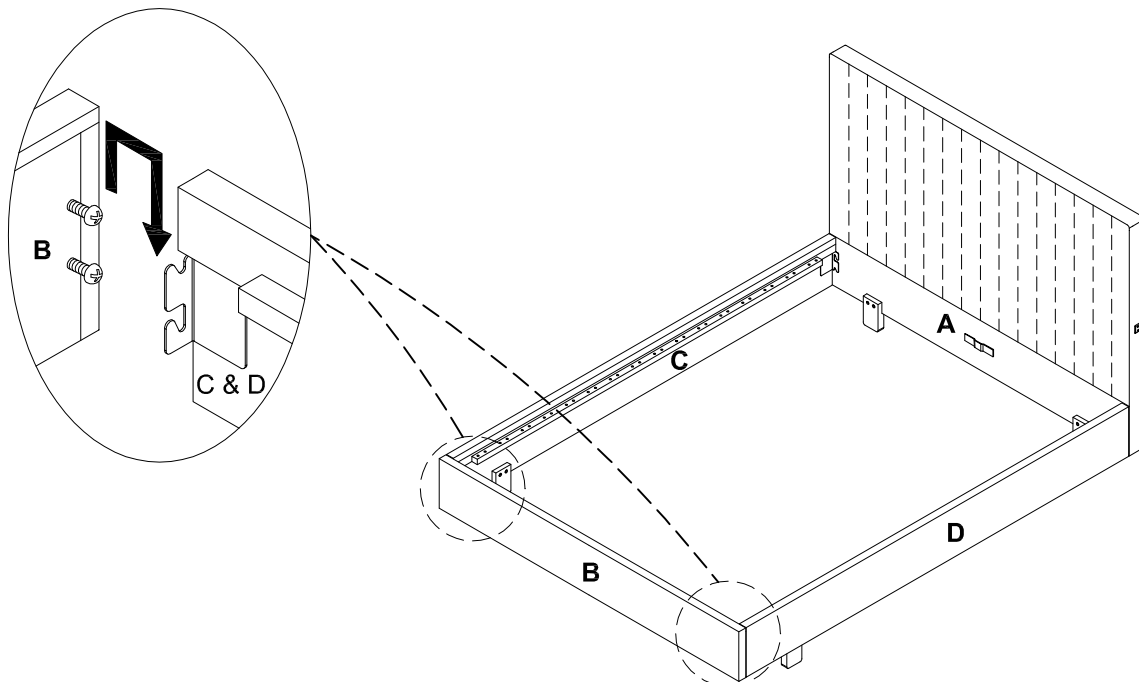
Step 3

- Hook the side rail over the bolts as shown.
- Repeat the action on the opposite side.



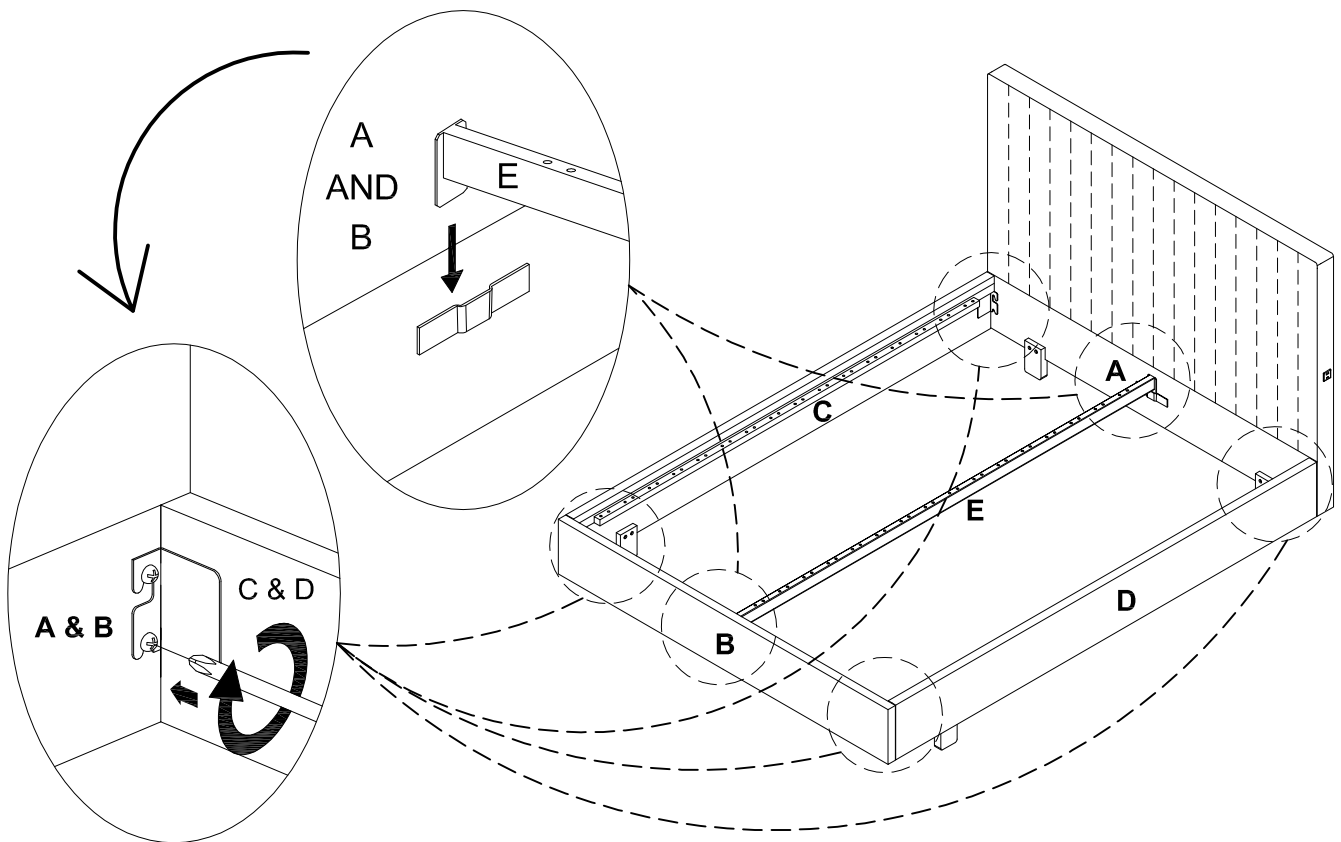
Step 4

- Attach foot end to the side rail as shown.



Step 5

- Carefully slot the centre rail into the brackets on the head and foot end. Be very careful not to catch the head and foot ends with the Centre rail tongue.
- Fully tighten all screws on the head and foot ends.

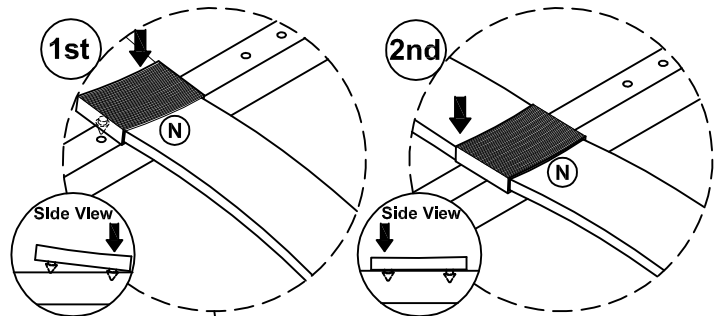


Step 6

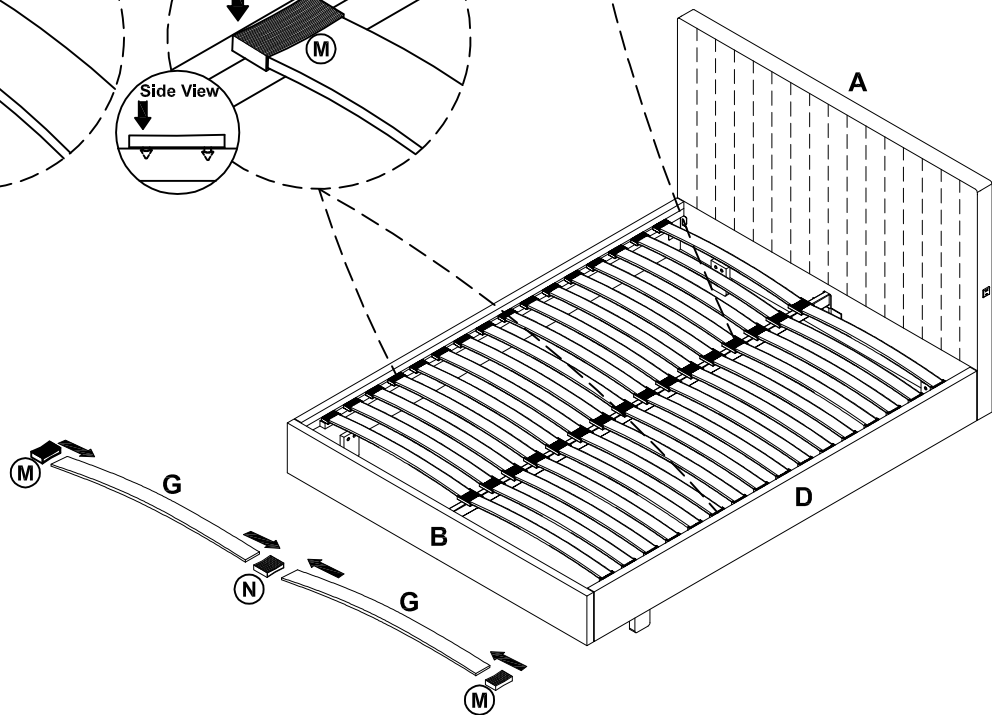
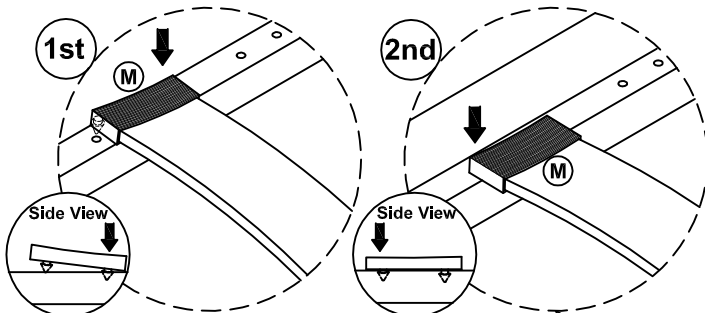
- Attach middle cap and end cap to the bed slat.
- Push the middle cap into the centre rail first. Then end caps to side rail support as shown in step 6-1 & step 6-2.

* PLEASE REFER TO LAST PAGE IF NEED TO REMOVE THE SLAT CAPS FROM THE BED

(STEP 6-1) INSERTING MIDDLE CAP TO THE CENTRE RAIL

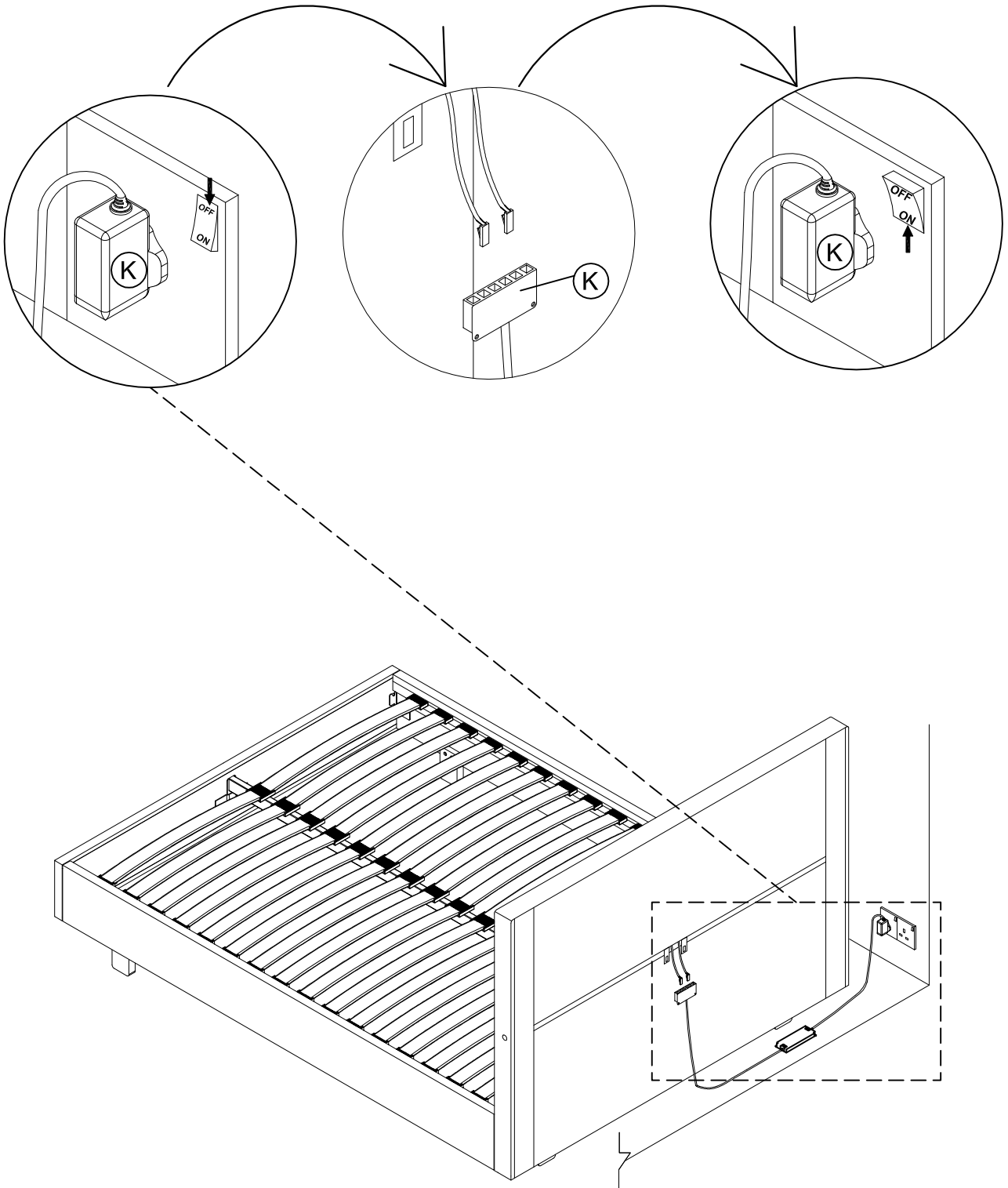


(STEP 6-2) INSERTING END CAP TO THE SIDE RAIL SUPPORT



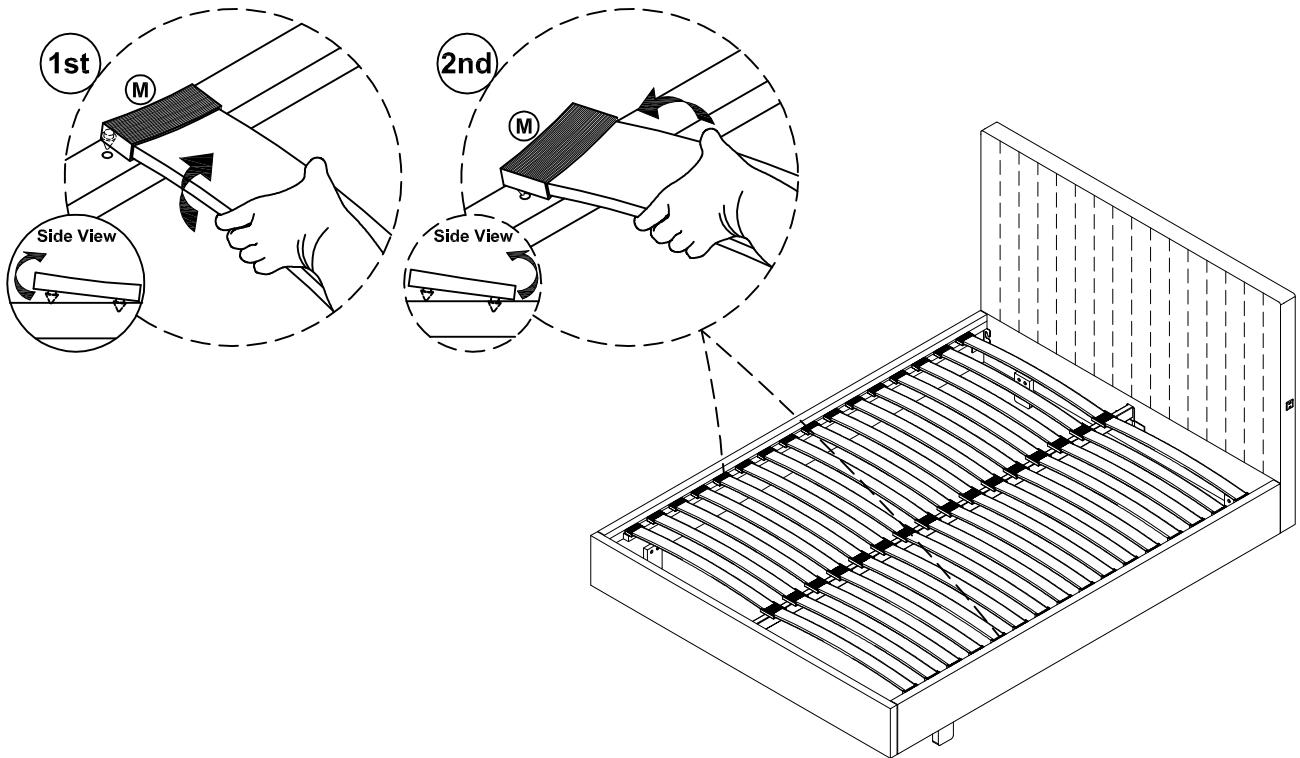
Step 7

- Ensuring that the power supply is off.
- Connect the USB charger cable to the power adapter as shown.
- Switch on the power supply.

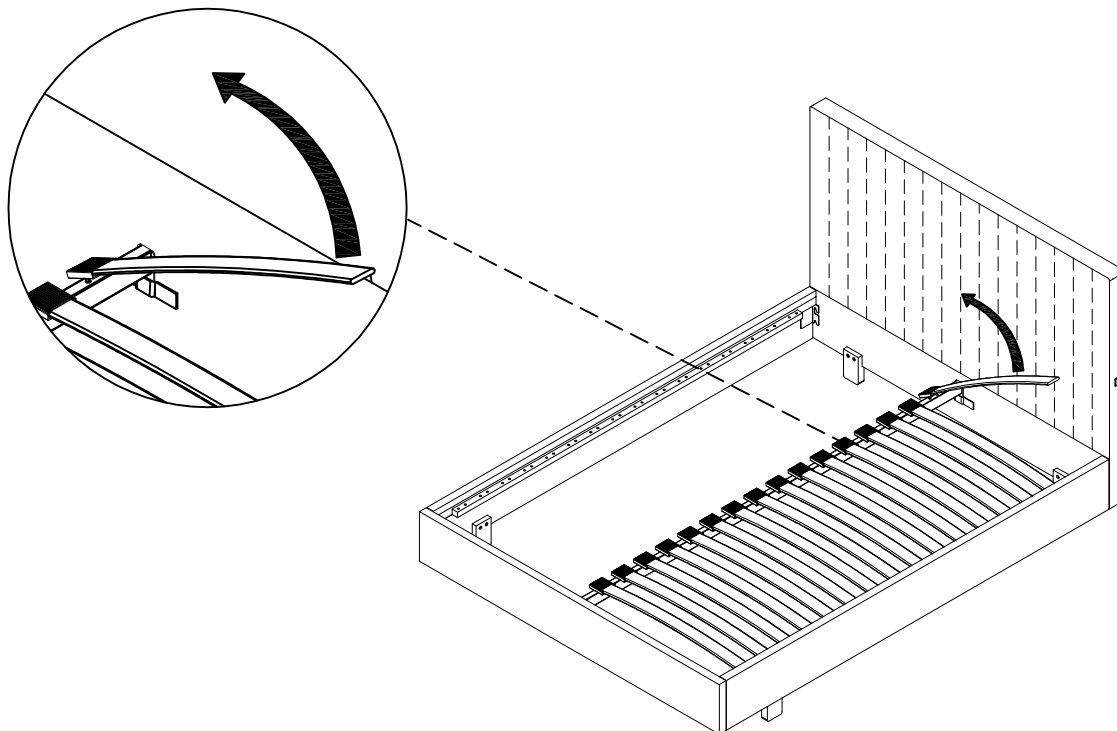


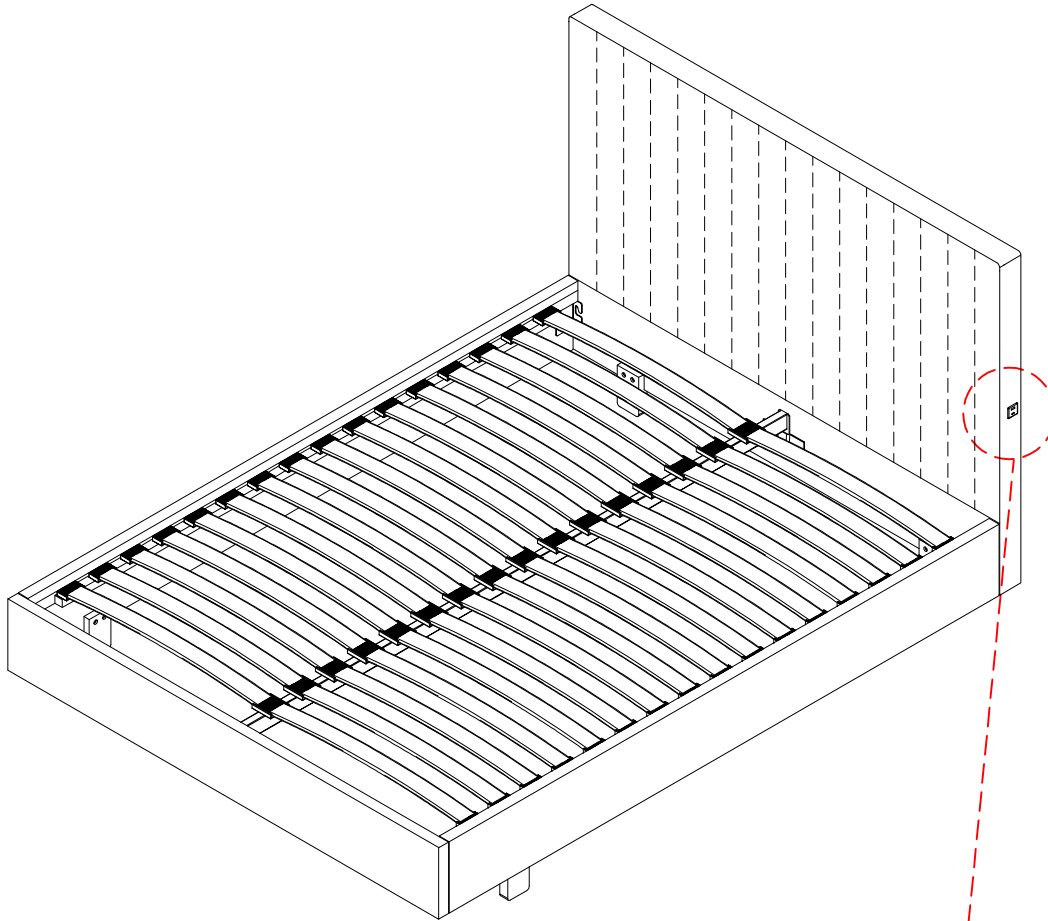
(DISMANTLE THE SLAT CAP)

- Firstly, remove both end cap from side rail support & remove one side of slats as shown.

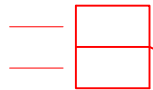


- After that, use the slats to remove middle cap slowly as shown.

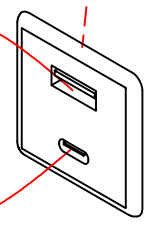
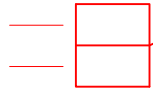




Power Bank
Laptop



Power Bank
Laptop



Precaution:- Do Not Insert more than ONE gadget or high power device into USB connector to prevent overloading.

- 1. Please monitor the device under charge, if the device does get hot stop using charger immediately.**
- 2. Ensure that device being charged are free of moisture and the charging cable is in good condition.**
- 3. Please refer to respective device user manual to seek the suitability of charging method.**

TROUBLE SHOOTING

- The USB socket does not charge a USB device.

Questions	Answer	Corrections
Is there a 'Blue circular power LED light' illuminated at the USB charge socket, when a device is connected to it?	Yes ----- No -----	* If the blue LED light is illuminated- this means the USB charge socket is functional and distributing power up to 1amps at 5 volts. * Please try an alternative device and charge cable. * Please check/ ensure 1. The power adaptor plug (K) is firmly connected to a working 'switched on' mains 240v power supply. (See page 7 for detail) 2. The connector of the USB charger is firmly connected to the 6 way socket. (See page 7 for detail) 3. The USB power cable is working & the device is able to take a charge (test cable and device in an alternative charge point) * All steps have been followed and the issue still remains, please contact (01462600064) with purchase information.

SPECIFICATION

MODEL	POWER ADAPTOR - 6WAY SOCKET - UK PLUG
INPUT	90~240V AC50/60Hz
OUTPUT	12V DC MAX 60W

MODEL	DOUBLE USB TYPE C CHARGER
INPUT	12V DC
OUTPUT	USB TYPE A & TYPE C PORT DC OUTPUT = 5V/3A, 9V/2A, 12V/2A

ATTENTION! PLEASE NOTE:

In the event you are experiencing any technical difficulties and you require additional assistance/ support with your product 'Mechanical/ Electrical' function - Please contact:

SUPPORT EMAIL: support@bssbfurnitureinnovation.com

UK PRODUCT SUPPORT HOTLINE : 01462600064

Contact your retailer for all other issues such as damage, missing or faulty components (non electrical) or anything else of a non technical/electrical nature.