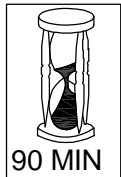


Minimum Two
Persons Assembly



90 MIN

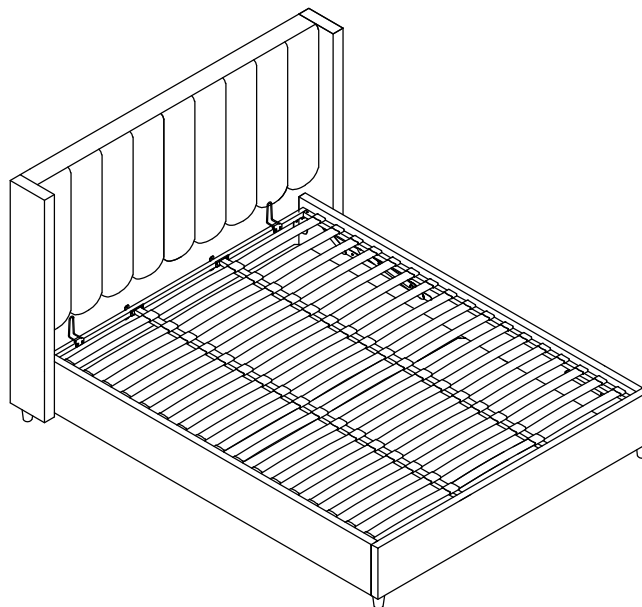
Approximate
Assembly Time



Annabelle 180CM Bed with Gas Lift and Storage
STK804405/STK804406

Assembly instructions

Please keep these instructions for future reference.



Regrettably self-assembly items cannot be returned once assembly is part or fully completed unless the items are found to be faulty. Should you need to return the unassembled product, please repack in its original packaging.

Important information

- We suggest you spend a short time reading through this leaflet and then follow the simple step-by-step instructions.
- Carefully check that you have all the parts before beginning assembly.
- Keep fittings out of children's reach and keep children well away from construction area.
- We suggest you retain these instructions for future reference.
- In the unusual event of an issue with your product would you please quote the batch I.D. number situated on the main parts of the frame (Head End- Foot End- side Rails).

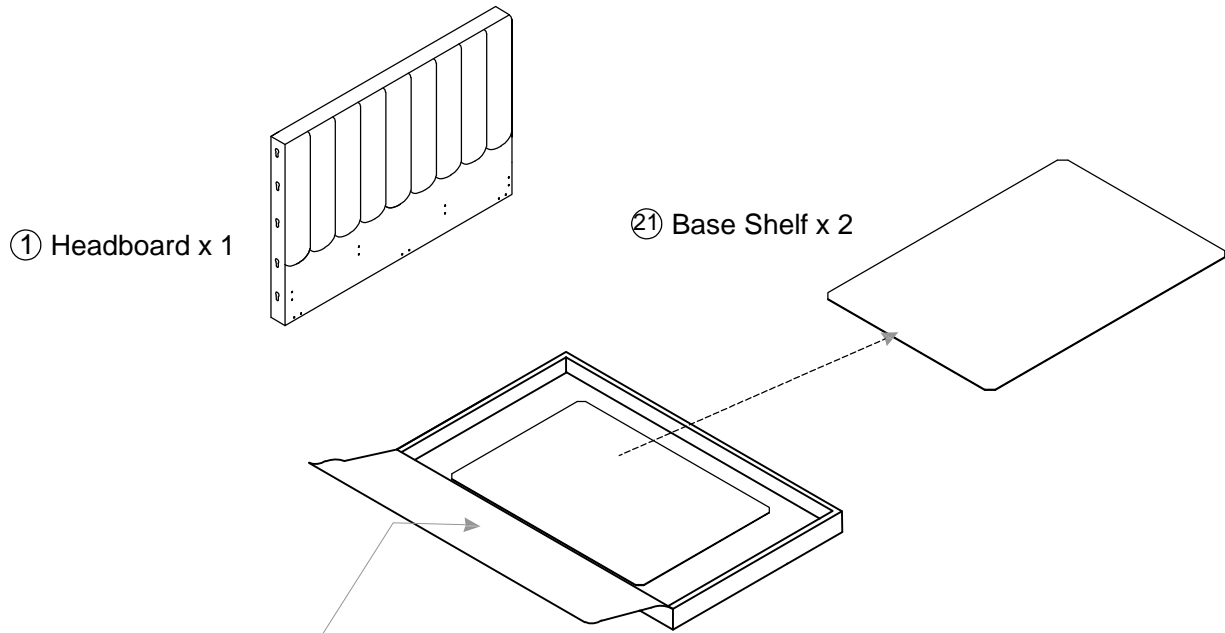
Product information

- Upholstered Bed Using Fabric Material.Conforms to BS EN1725 & BS 5852.

Care instructions

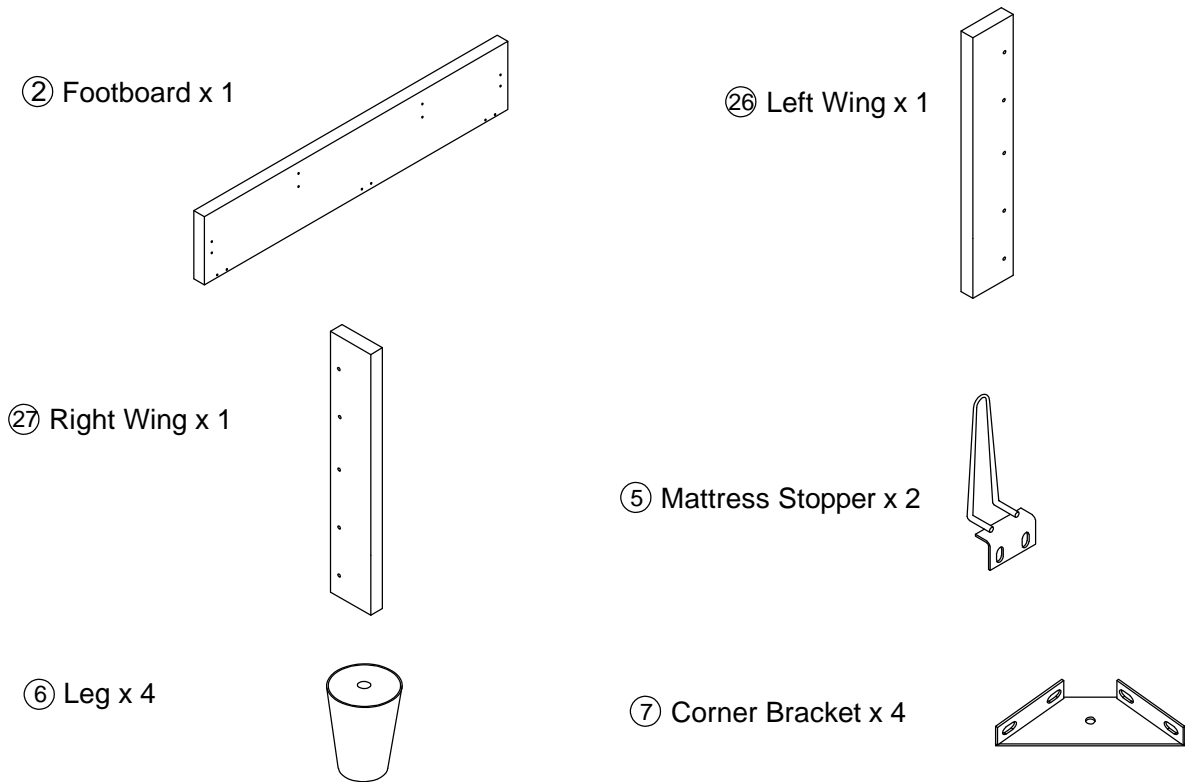
- Avoid exposing the furniture to excessive heat or direct sunlight as this can cause cracking and deterioration of the color.
- Periodically check & re-tighten any fastener .
- Periodically dust lightly with a clean soft cloth.
- Any spills should be removed immediately with a damp cloth.
- TAKE CARE WHEN MOVING THE FURNITURE AND NEVER DRAG THE PIECES ACROSS THE FLOOR,AS THIS WILL CAUSE DAMAGE TO THE JOINTS.

Components of Carton A

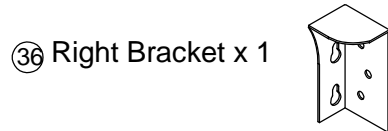
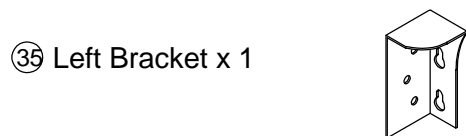
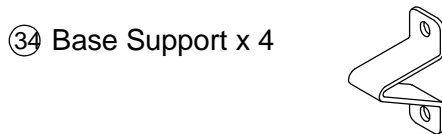
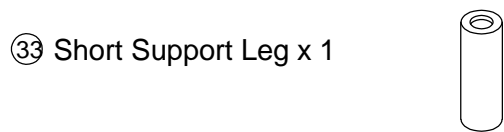
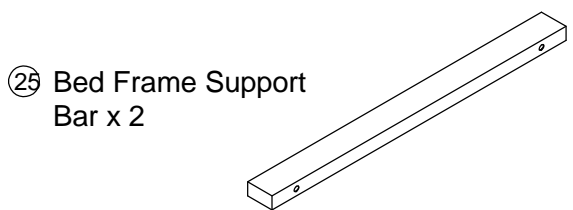
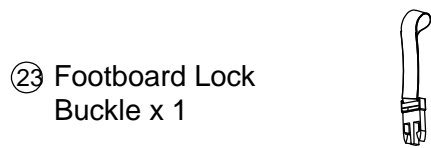
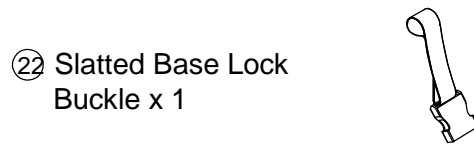
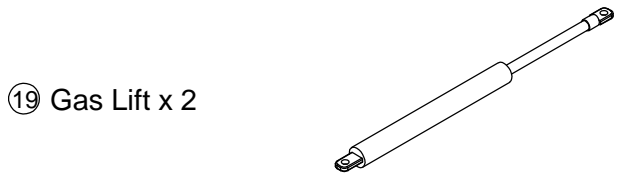
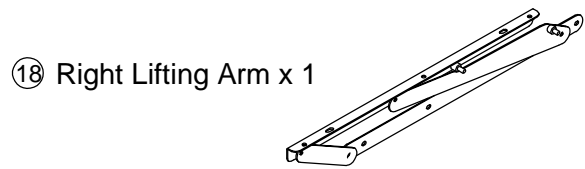
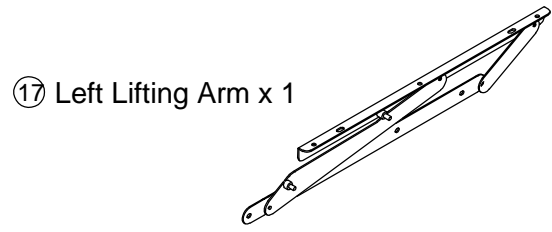
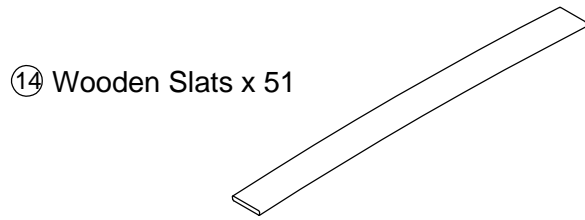


⚠ Please Note components are contained in the rear of the Headboard ① . Please carefully turn the Headboard ① over and remove before assembly is started

Components of Carton B

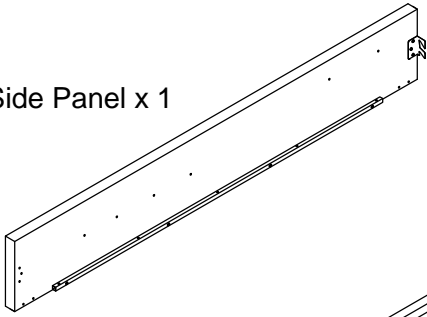


Components of Carton B

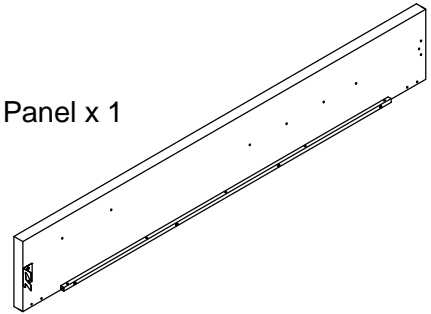


Components of Carton C

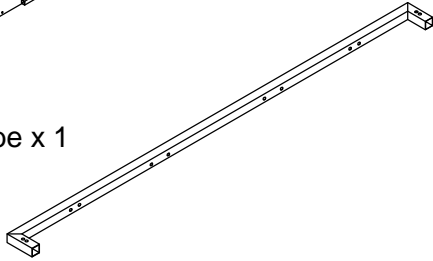
④ Right Side Panel x 1



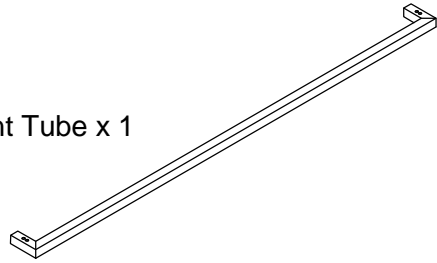
③ Left Side Panel x 1



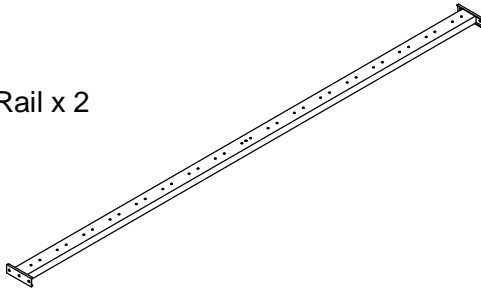
⑧ Back Tube x 1



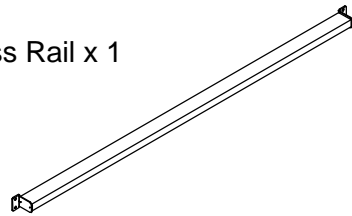
⑨ Front Tube x 1



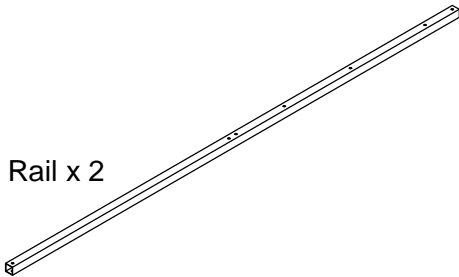
⑩ Centre Rail x 2



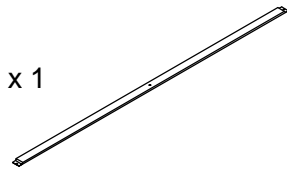
⑪ Cross Rail x 1



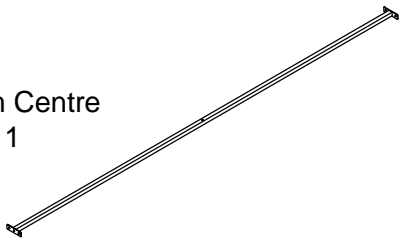
⑫ Side Rail x 2



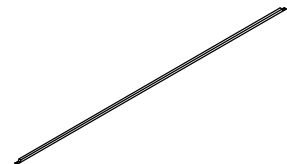
⑬ Support Rail x 1



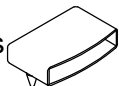
⑮ Bottom Centre Rail x 1



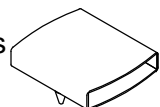
⑯ Support Rail x 4



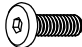



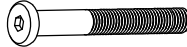





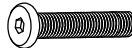
⑳ Single Slat Cap x 34 +2 pcs



㉑ Double Slat Cap x 34 +2 pcs



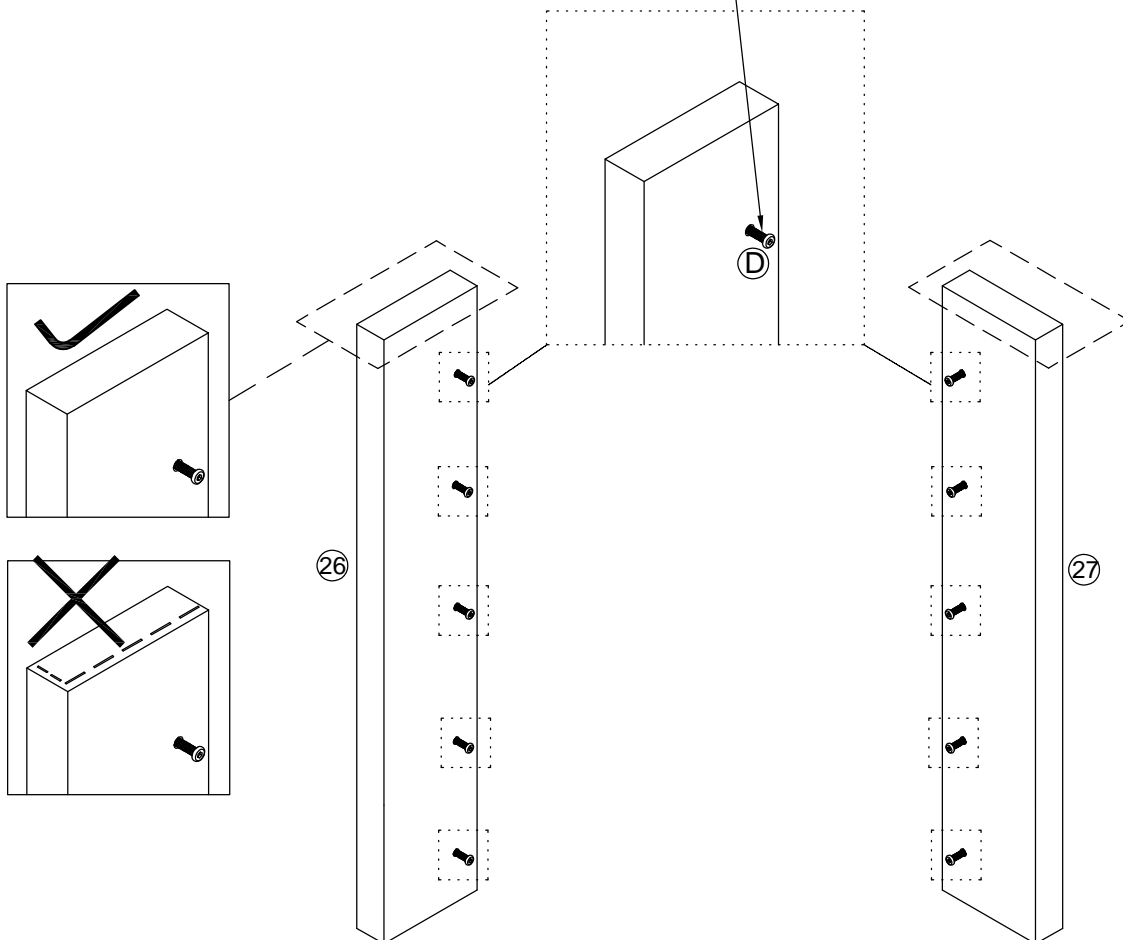
Hardware List in Carton B



<p>Ⓐ M6 x 15MM x 10</p> 	<p>Ⓑ M6 x 20MM x 68</p> 	<p>Ⓒ M6 x 35MM x 8</p> 	<p>Ⓓ M6 x 40MM x 13</p> 
<p>Ⓔ M8 x 65MM x 4</p> 	<p>Ⓕ M6 x 4</p> 	<p>Ⓖ M8 x 4</p> 	<p>Ⓗ M6 x 8</p> 
<p>Ⓘ ALLEN KEY 4MM x 1</p> 	<p>Ⓙ WRENCH x 1</p> 	<p>Ⓚ M8 x 30MM x 4</p> 	

Step 1

Ⓐ Insert bolt Ⓓ onto Left Wing Ⓔ and Right Wing Ⓙ.

⚠ Do not completely tighten the bolts, leave half of the bolt exposed.

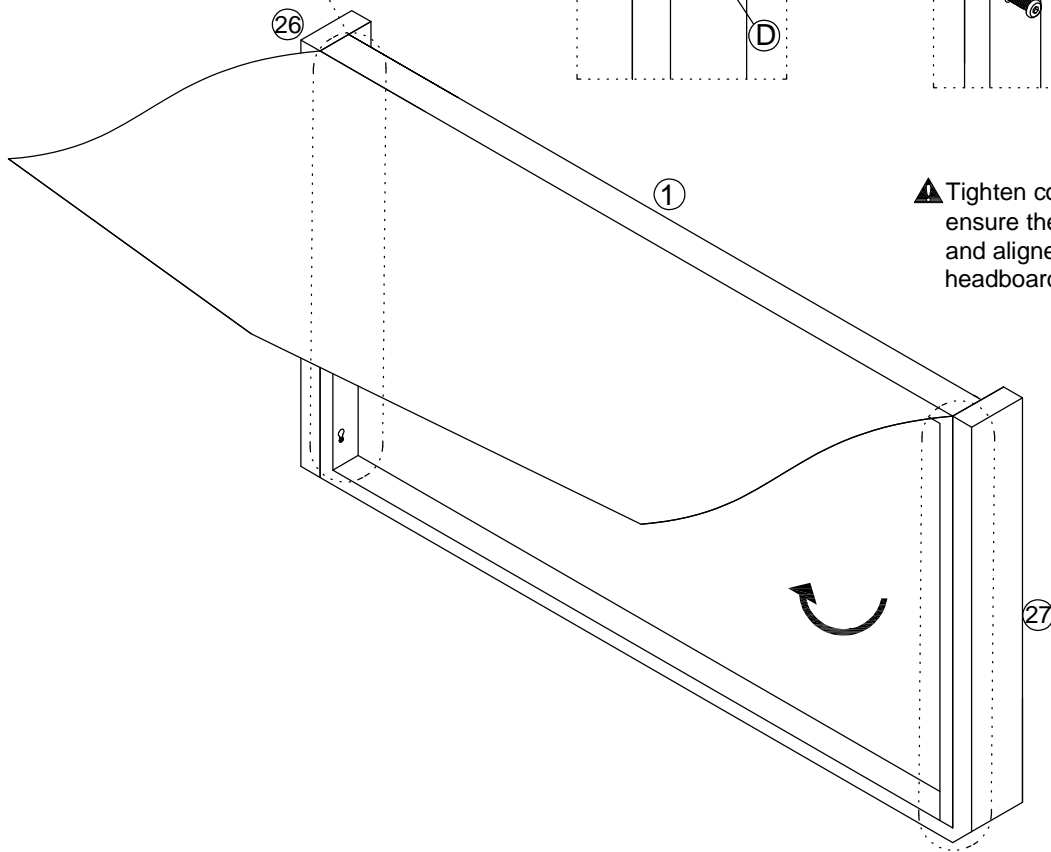
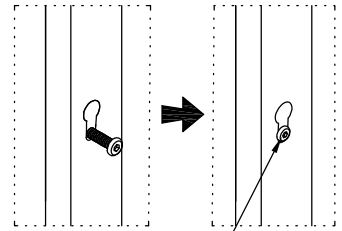
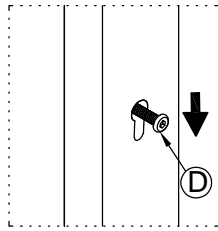
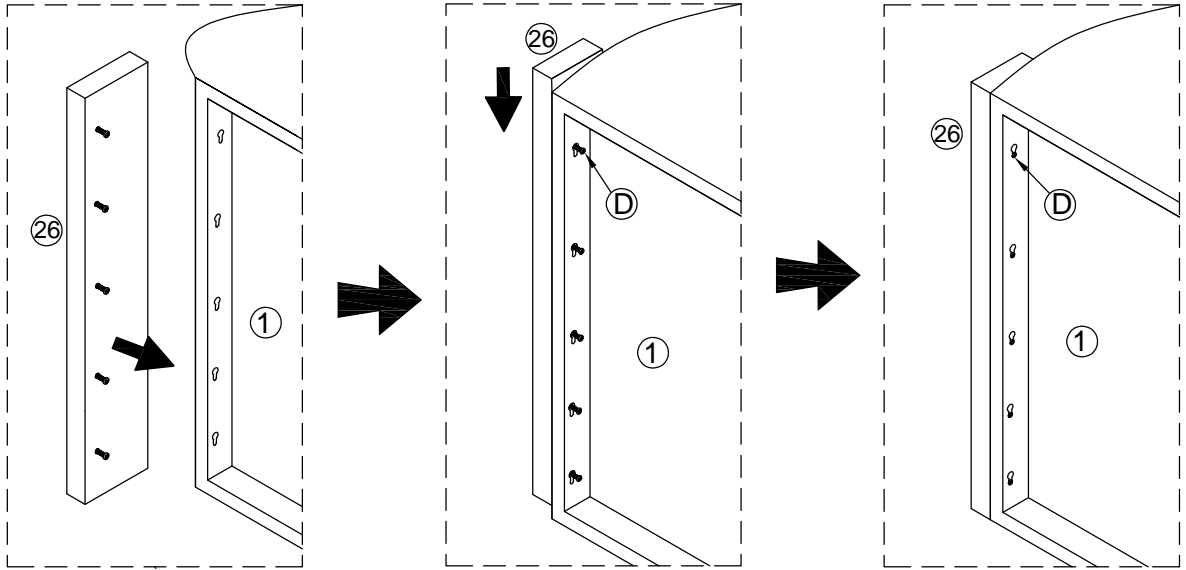


 <p>M6X40mm DX10</p>	 <p>I X1</p>
---	---

Step 2

▲ Lift up the back covering which is held in place by Velcro strip.

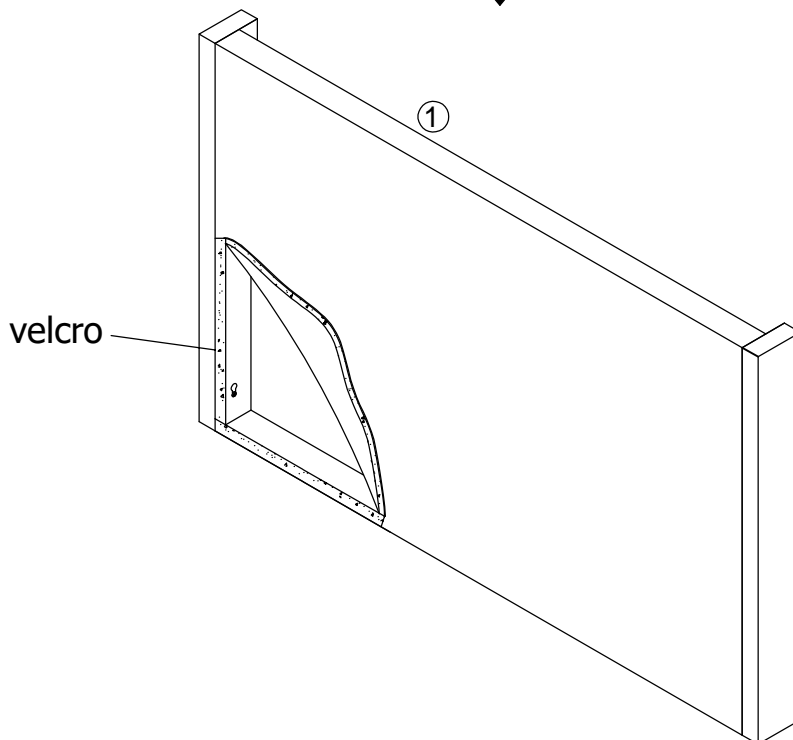
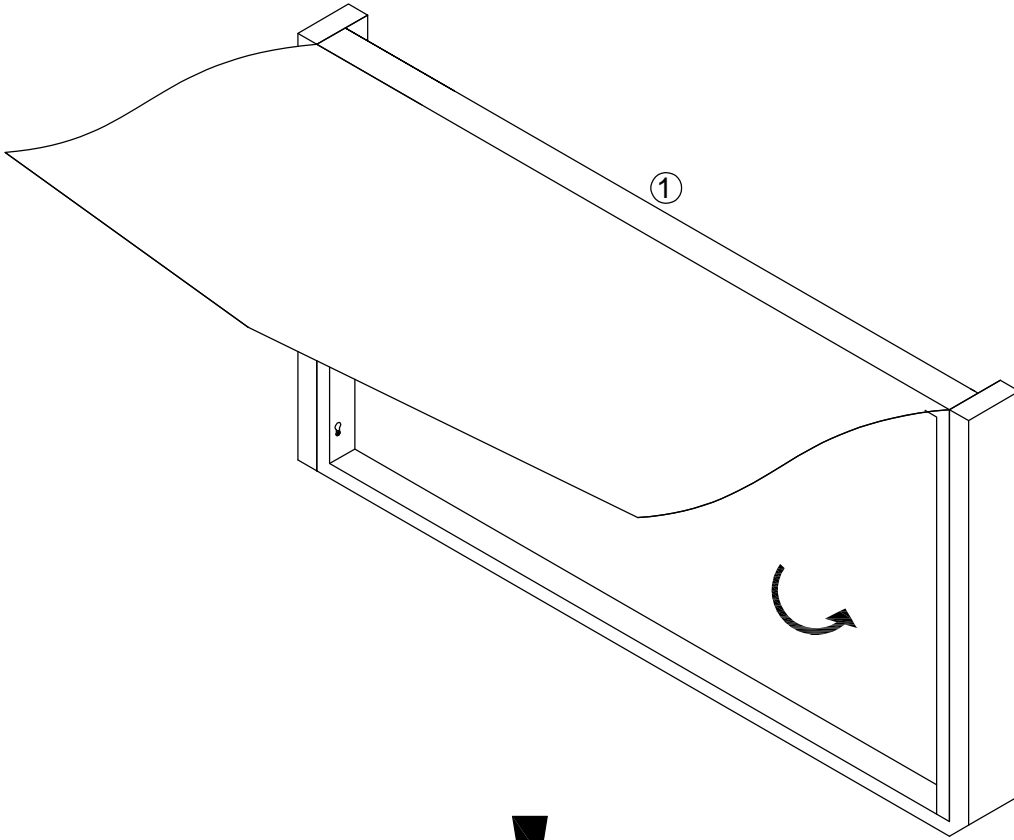
▲ Attach Left Wing (26) and Right Wing (27) to Headboard (1).



▲ Tighten completely all bolts. ensure the wings are flush and aligned with the headboard.

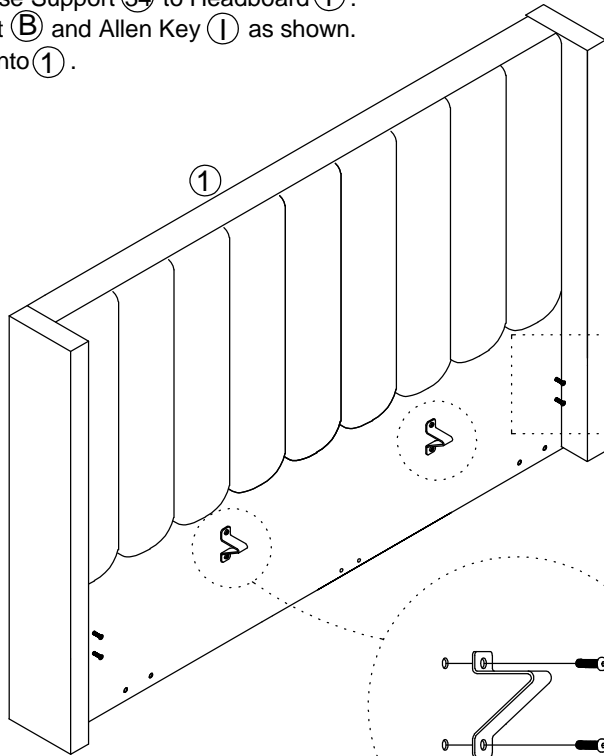
Step 3

Ⓐ Replace the back cover and secure by pressing the two velcro strips together

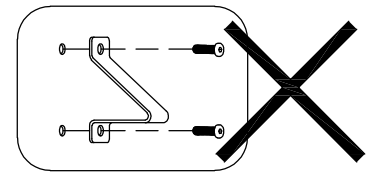
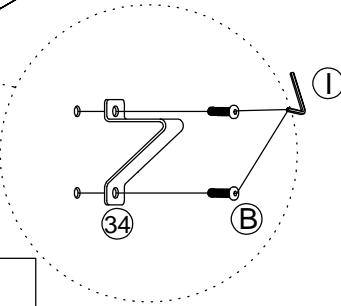
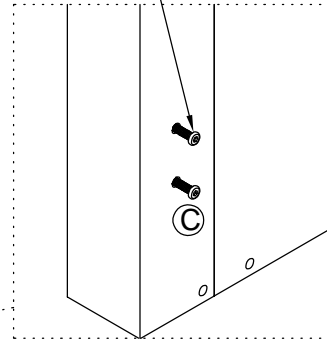


Step 4

- ▲ Attach Base Support (34) to Headboard (1). Using 20mm Bolt (B) and Allen Key (I) as shown.
- ▲ Bolt (C) onto (1).



▲ Do not completely tighten the bolts, leave half of the bolt exposed.



▲ Incorrect installation method

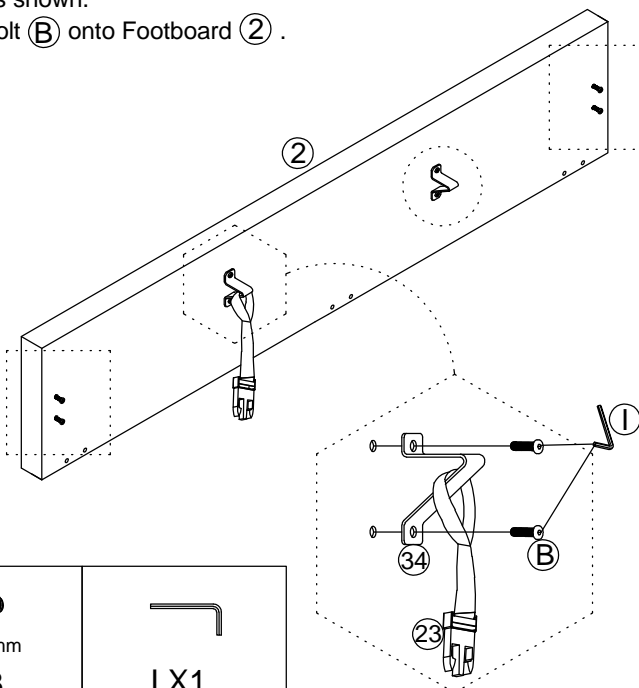

M6X20mm
BX4


M6X35mm
C X4

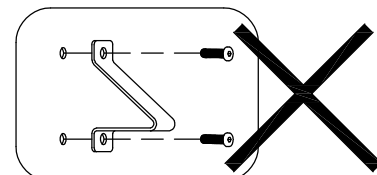
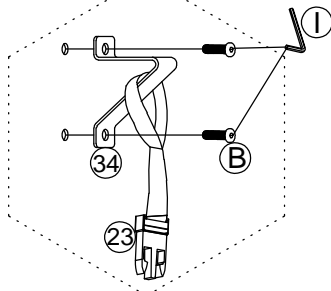
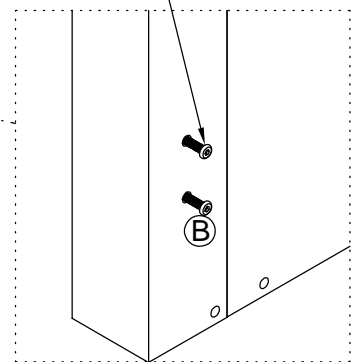

I X1

Step 5

- ▲ Attach Base Support (34) and Buckle (23) to Footboard (2). Using 20mm Bolt (B) and Allen Key (I) as shown.
- ▲ Bolt (B) onto Footboard (2).



▲ Do not completely tighten the bolts, leave half of the bolt exposed.



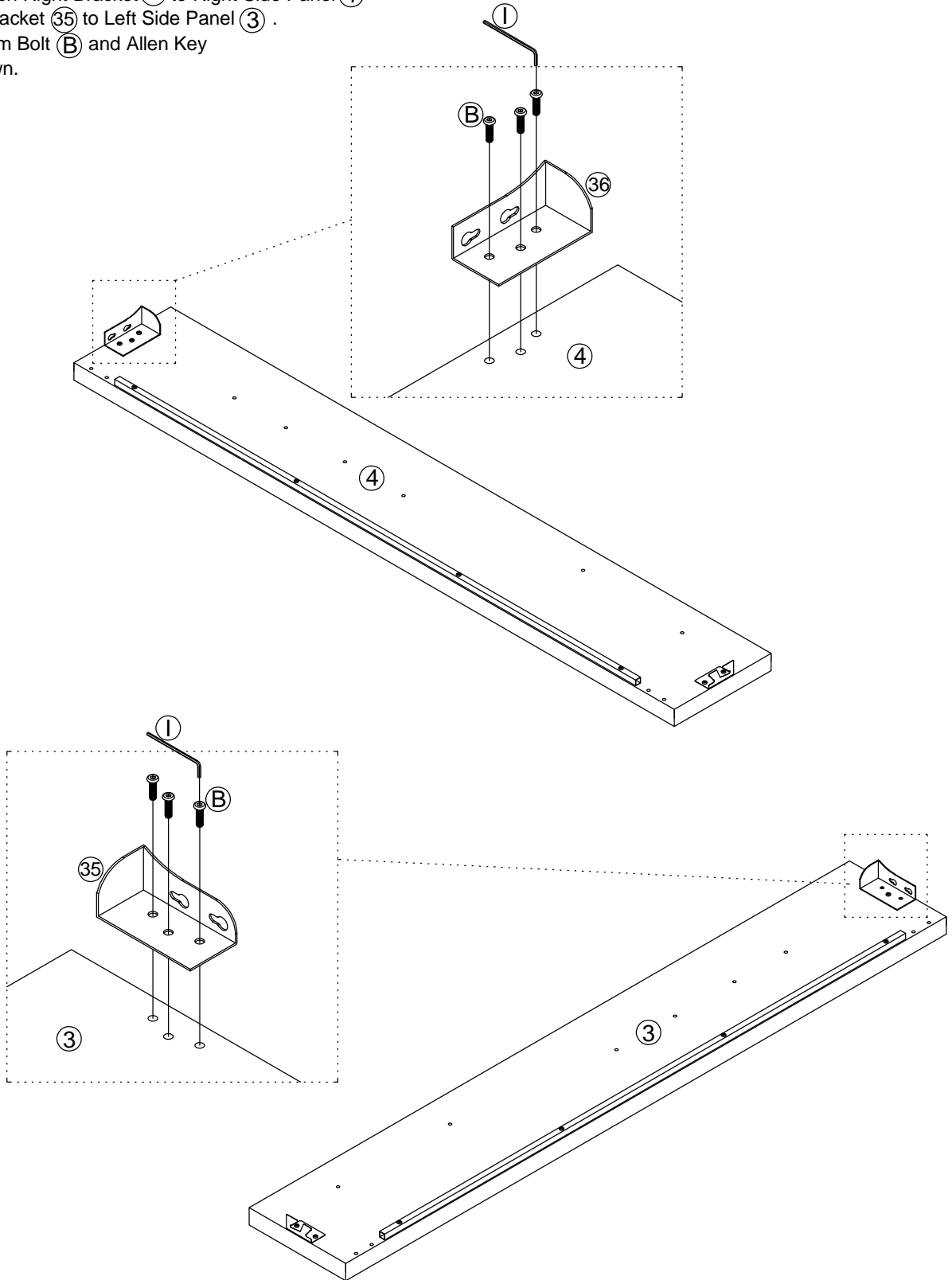
▲ Incorrect installation method


M6X20mm
BX8


I X1

Step 6

Ⓐ Attach Right Bracket (36) to Right Side Panel (4) and Left Bracket (35) to Left Side Panel (3).
Using 20mm Bolt (B) and Allen Key (I) as shown.



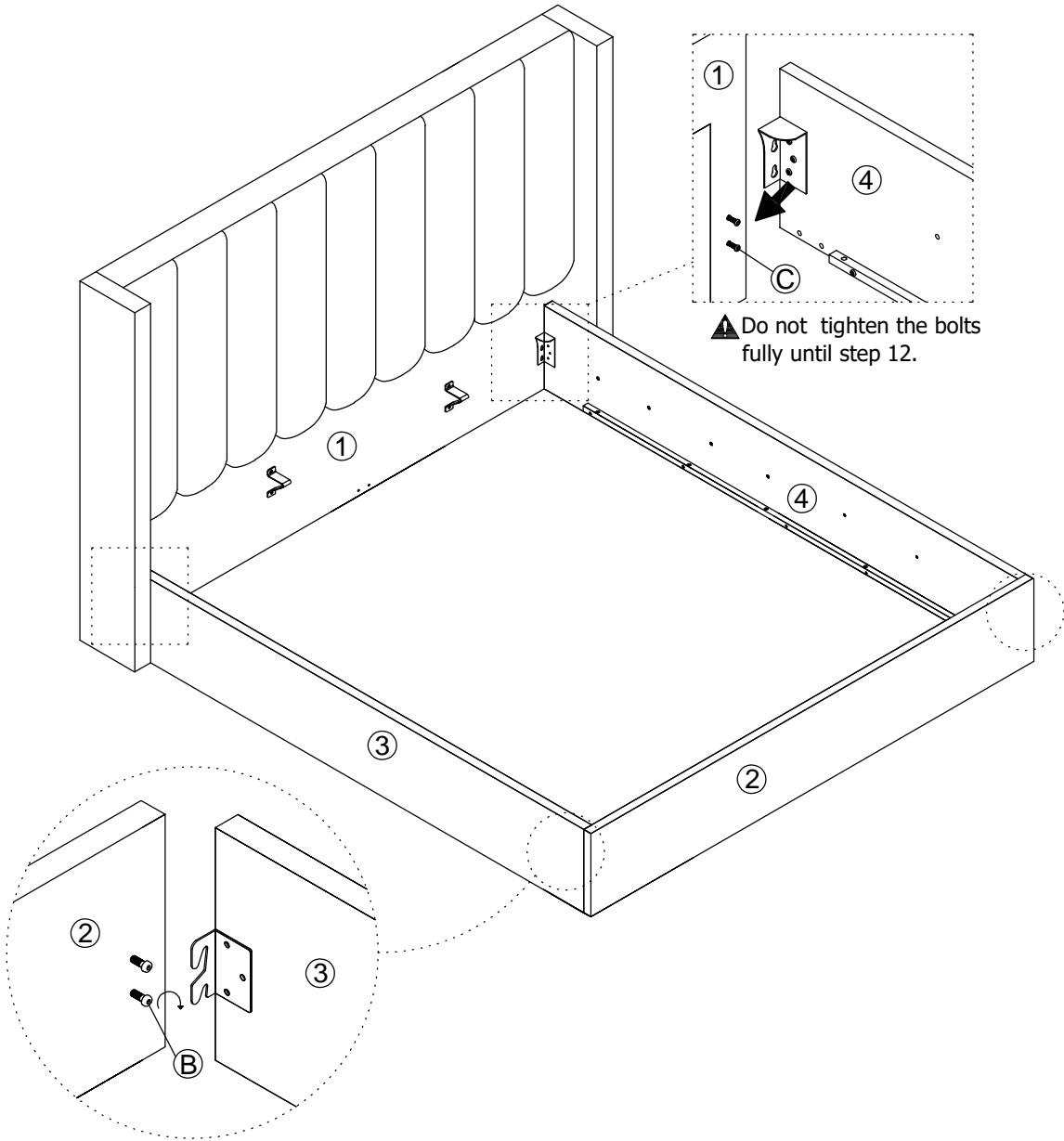
M6X20mm

BX6



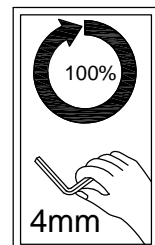
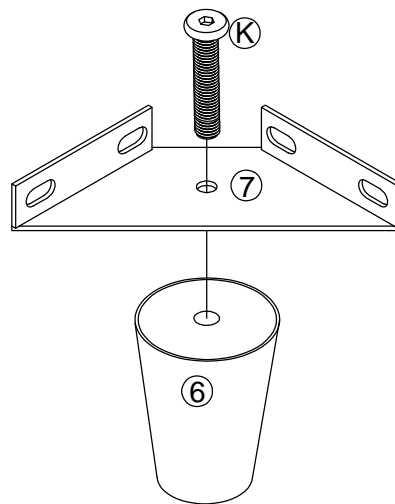
I X1



Step 7



Step 8

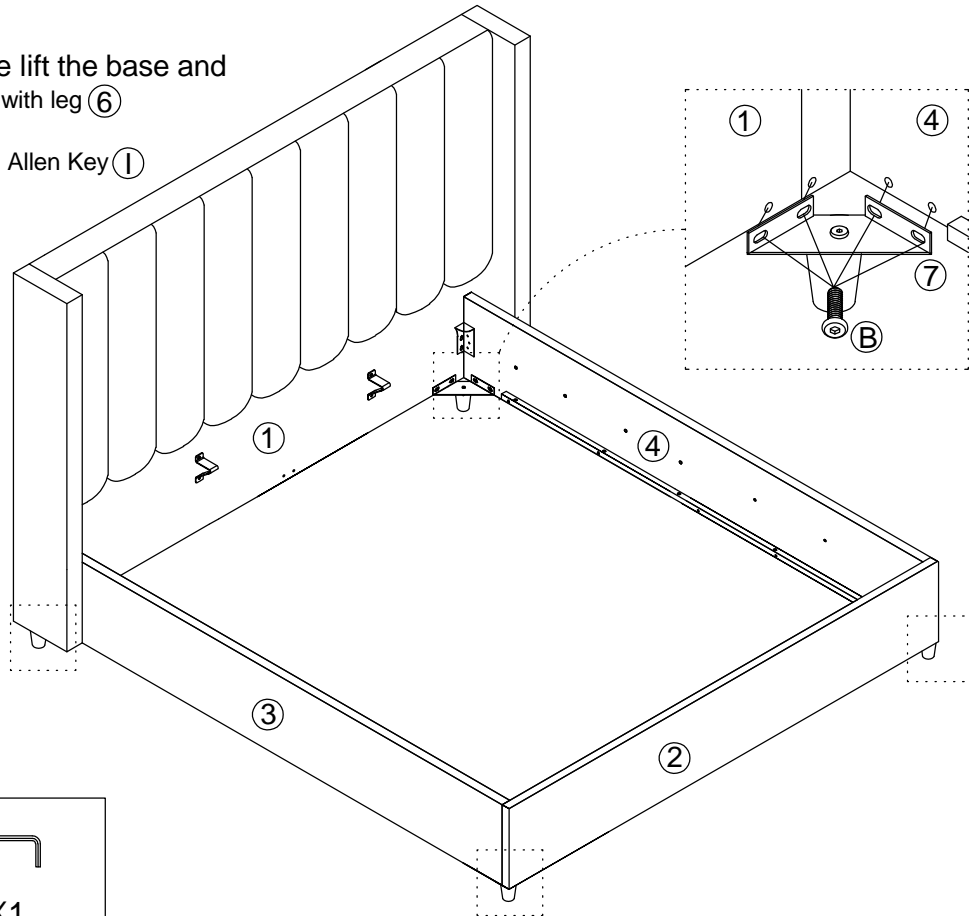
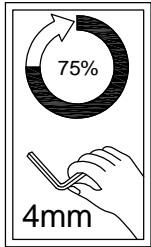
Ⓐ Attach Corner Bracket (7) to Leg (6).
Using 30mm Bolt (K) and Allen Key (1) as shown.



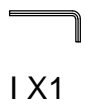
 M8X30mm KX4	 I X1
---	---

Step 9

▲ With assistance lift the base and
Attach corner bracket ⑦ with leg ⑥
to ①, ②, ③, ④.
Using 20mm Bolt ② and Allen Key ①
as shown.

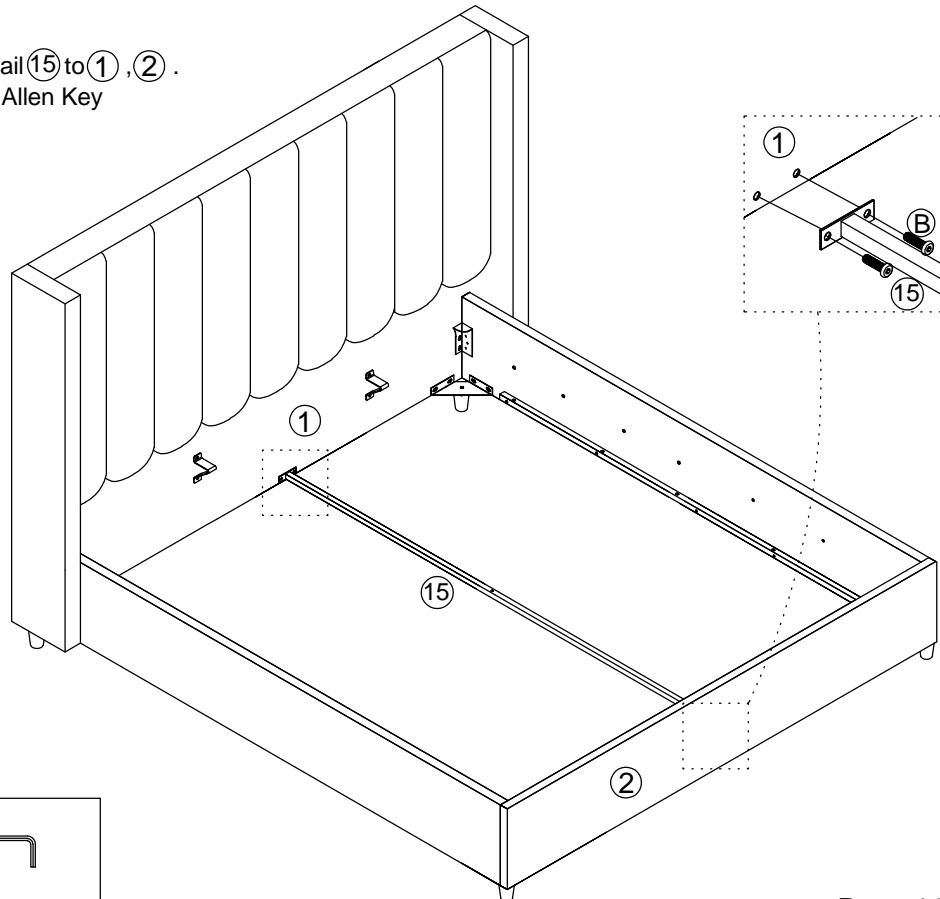
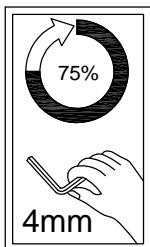


②
M6X20mm
BX16



Step 10

▲ Attach Bottom Centre Rail ⑮ to ①, ②.
Using 20mm Bolt ② and Allen Key ①
as shown.

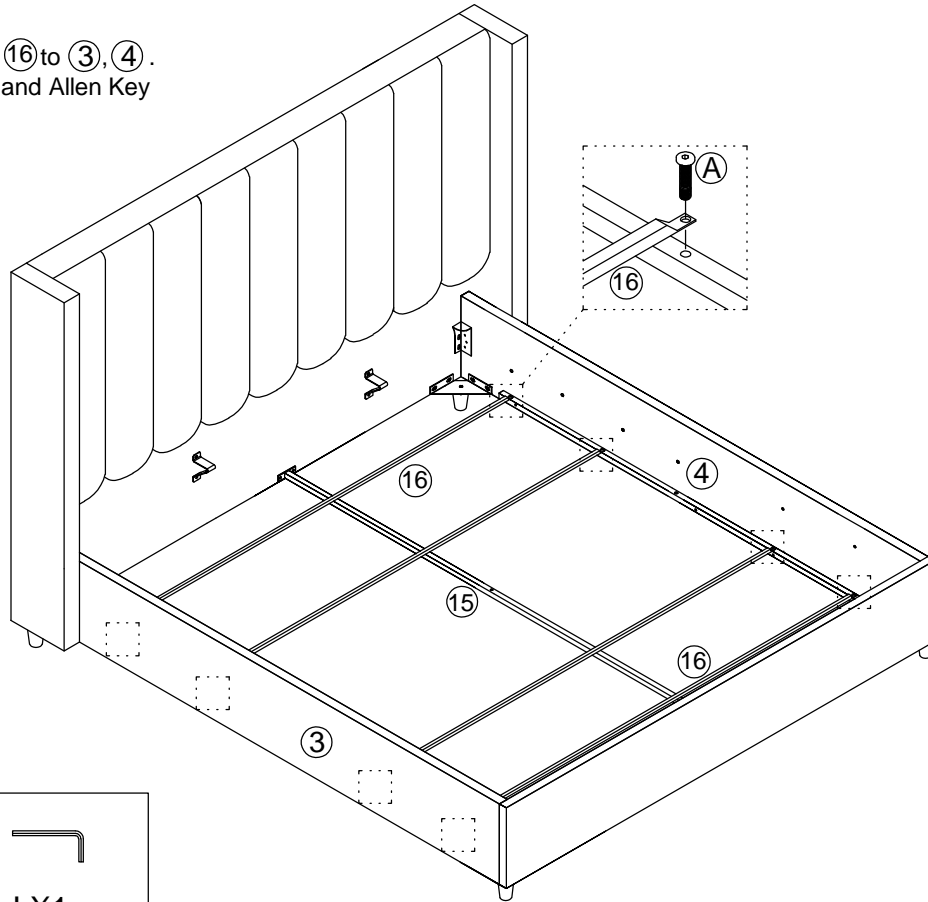
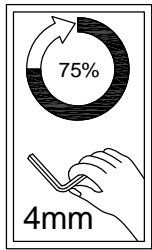


②
M6X20mm
BX4



Step 11

Attach Support Rail (16) to (3), (4).
Using 15mm Bolt (A) and Allen Key (1) as shown.



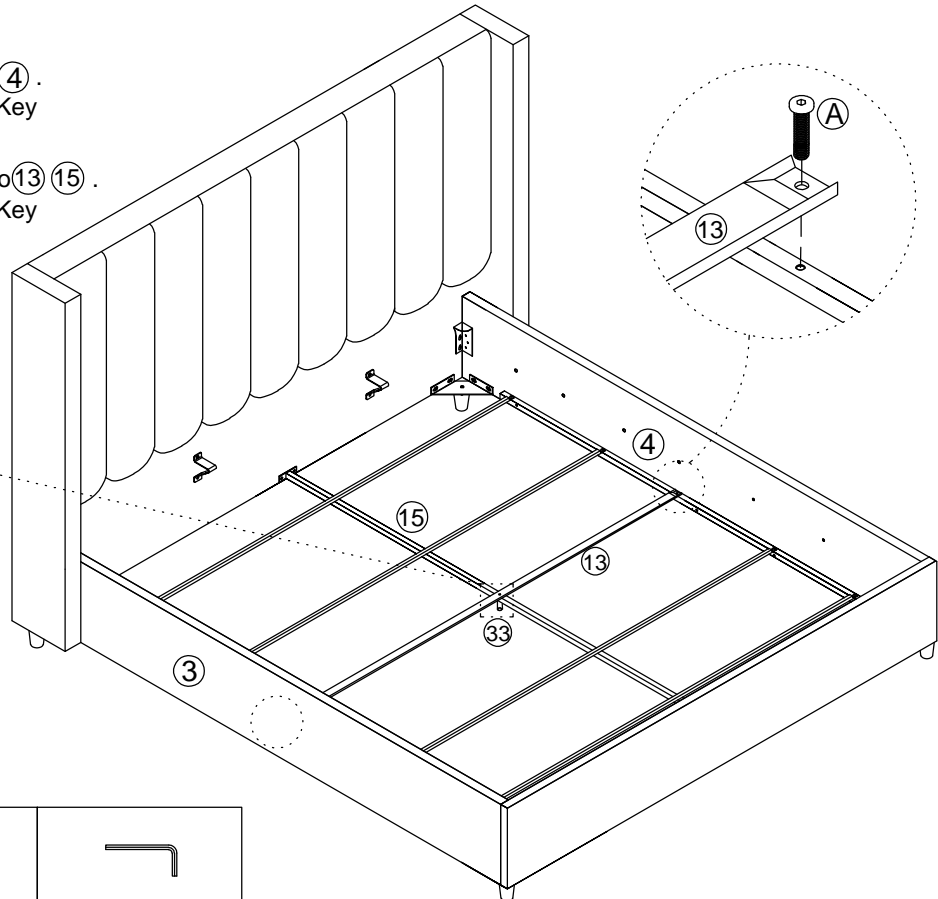
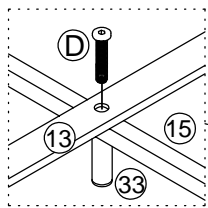
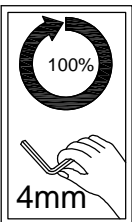
M6X15mm
AX8

1 X 1

Step 12

Attach Support Rail (13) to (3), (4).
Using 15mm Bolt (A) and Allen Key (1) as shown.

Attach Short Support Leg (33) to (13), (15).
Using 40mm Bolt (D) and Allen Key (1) as shown.



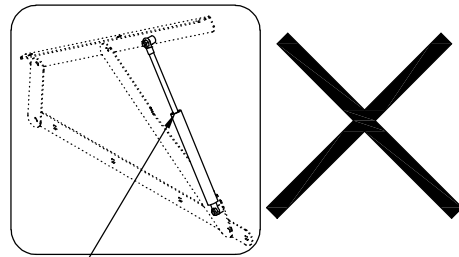
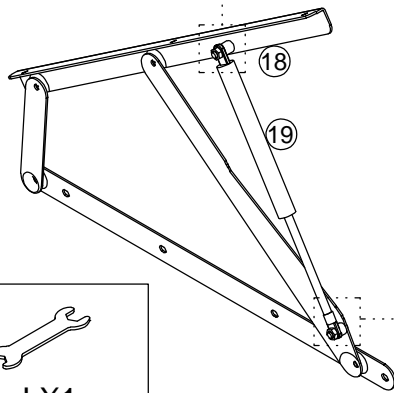
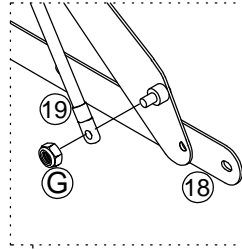
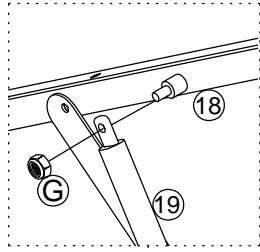
M6X15mm
AX2

M6X40mm
DX1

1 X 1

Step 13

⚠ Attach Gas Lift (19) to Right Lifting Arm (18).
Using M8 Nut (G) and Wrench (J) as shown.



⚠ Incorrect: The orientation of part (19) is upside down.



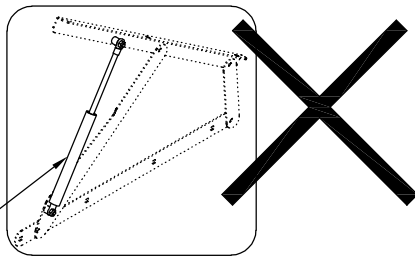
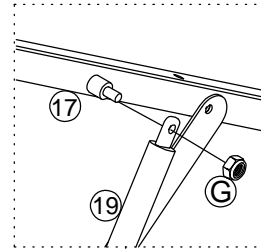
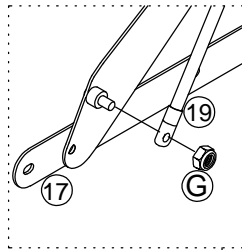
M8
GX2



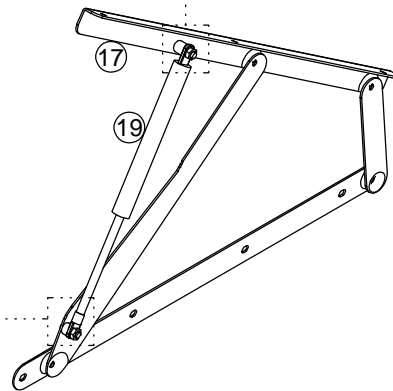
J X1

Step 14

⚠ Attach Gas Lift (19) to Left Lifting Arm (17).
Using M8 Nut (G) and Wrench (J) as shown.



⚠ Incorrect: The orientation of part (19) is upside down.



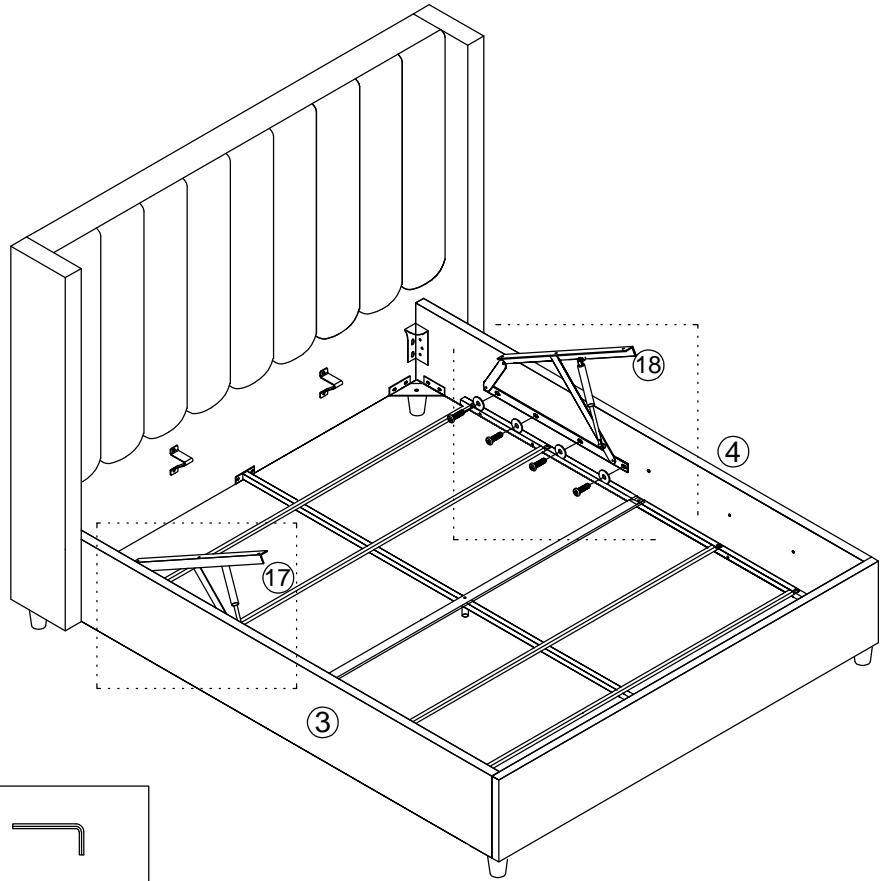
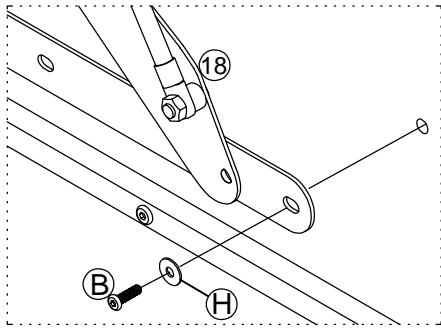
M8
GX2



J X1


Step 15

Ä Attach ①⑦ to ③, ①⑧ to ④.
Using 20mm Bolt ①B, M6 Washer ①H
and Allen Key ①I as shown.

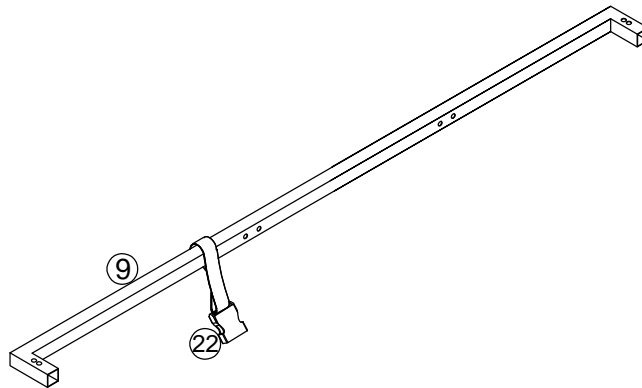



M6X20mm
BX8

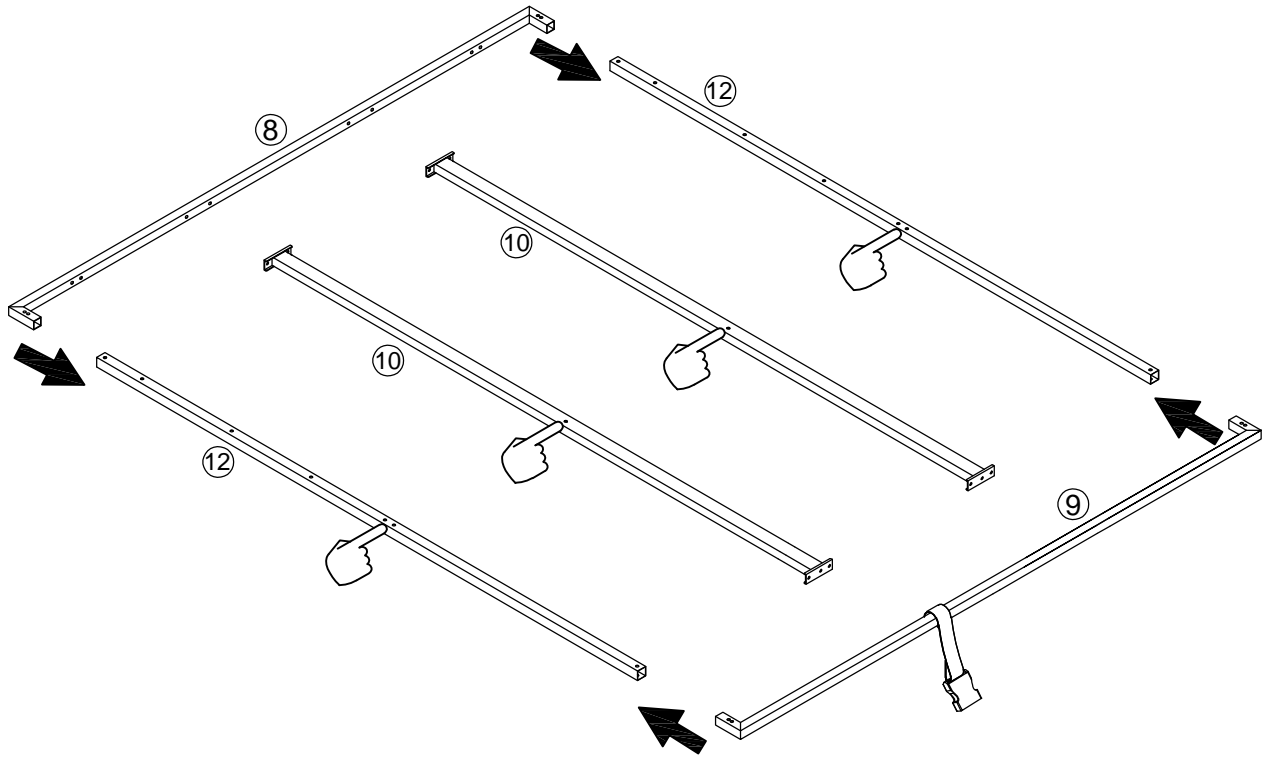

M6
HX8


I X1

Step 16



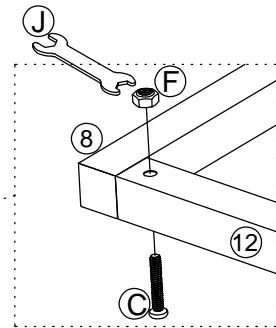
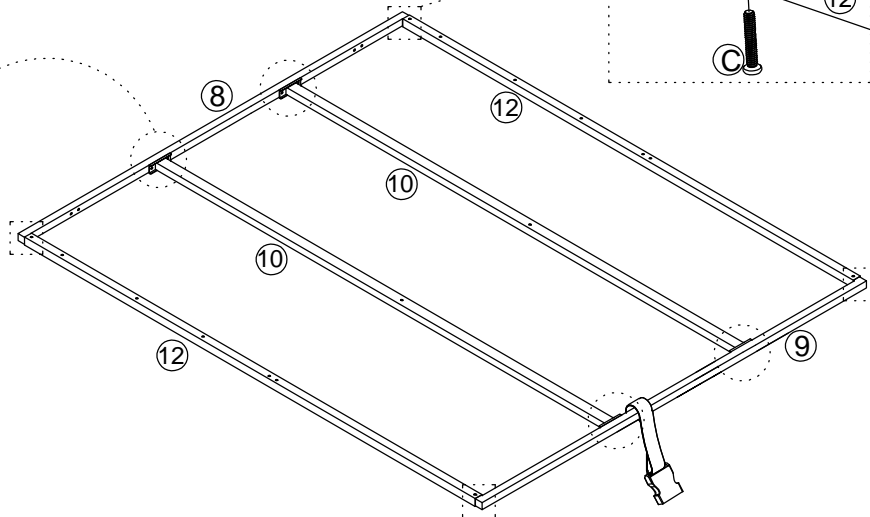
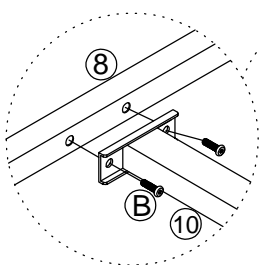
Step 17



Step 18

⚠ Attach Centre Rail (10) to (8), (9).
Using 20mm Bolt (B) and Allen Key (I) as shown.


⚠ Attach Side Rail (12) to (8), (9).
Using 35mm Bolt (C), M6 Nut (F) and Allen Key (I), Wrench (J) as shown.




M6X20mm
B X 8


M6X35mm
C X 4

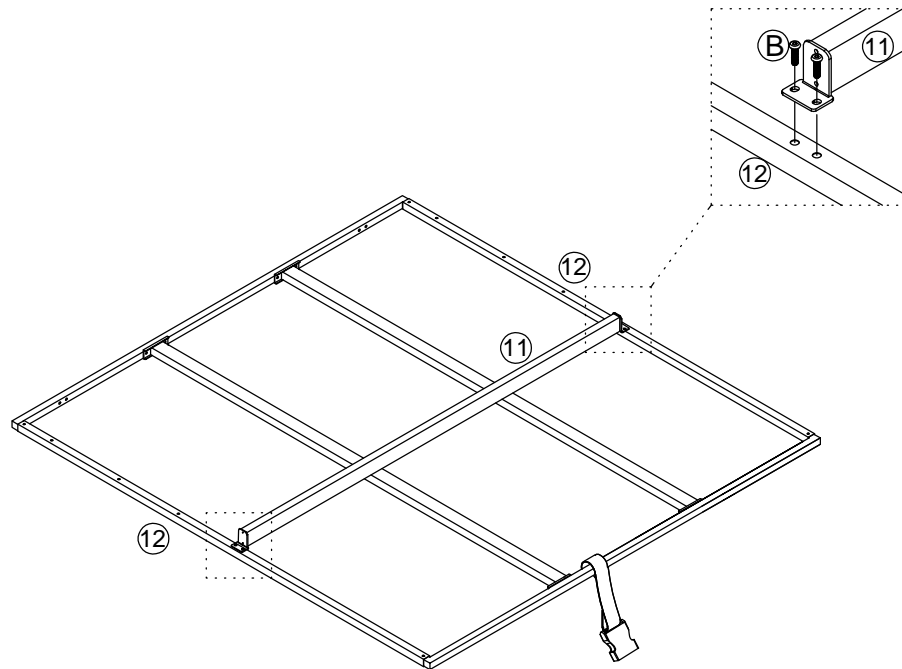

M6
F X 4


J X 1


I X 1

Step 19

▲ Attach Cross Rail (11) to (12).
Using 20mm Bolt (B) and Allen Key
① as shown.

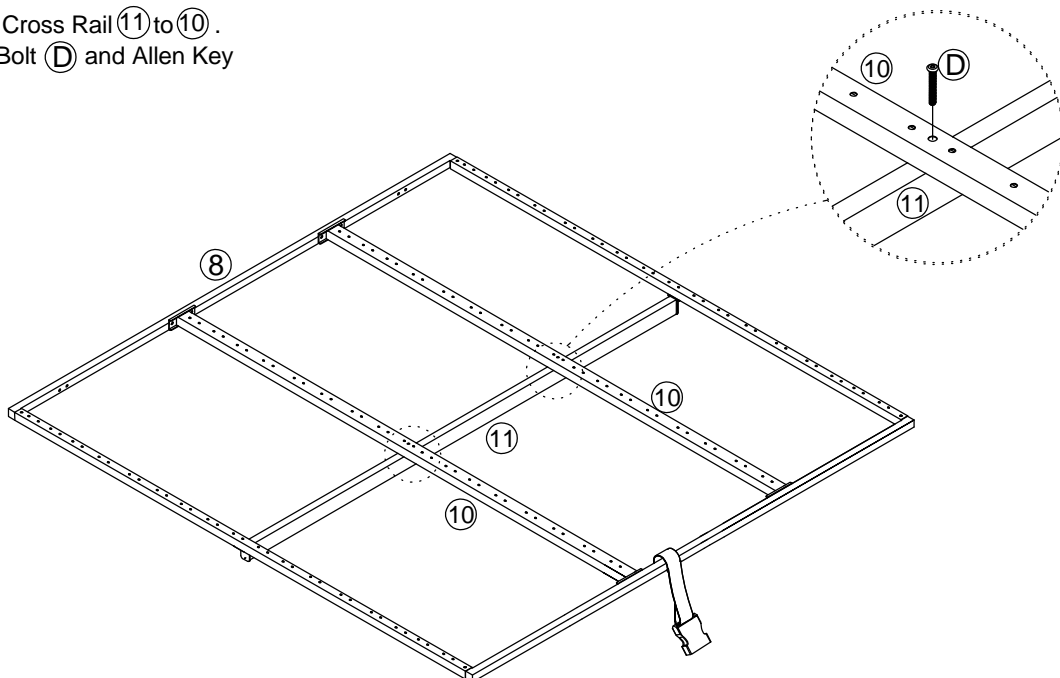



M6X20mm
BX4


I X1

Step 20

▲ Attach Cross Rail (11) to (10).
Using 40mm Bolt (D) and Allen Key
① as shown.



▲ Turn around the bedbase frame

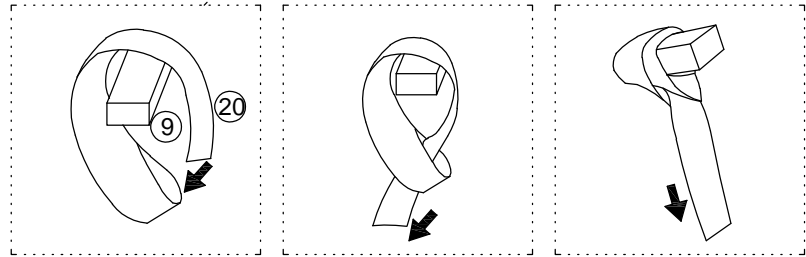
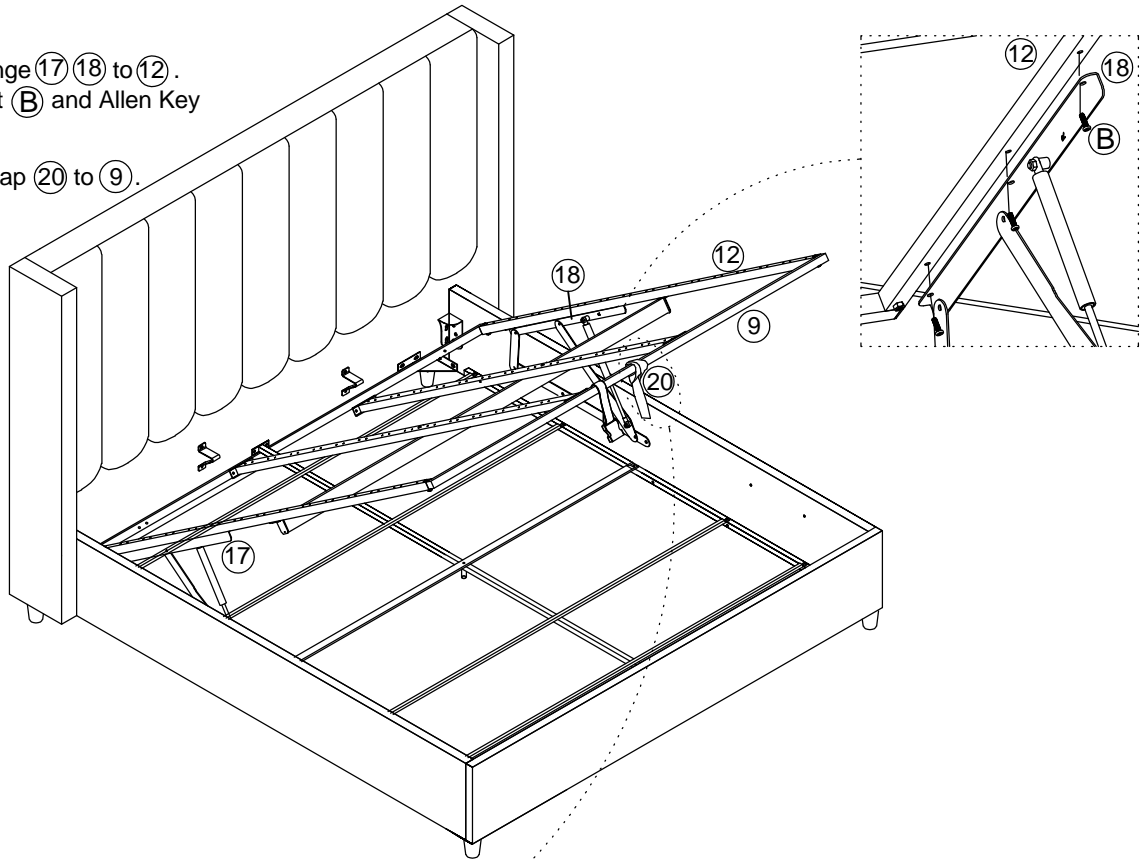

M6X40mm
DX2


I X1

Step 21

Ⓐ Attach Hinge (17) (18) to (12).
Using 20mm Bolt (B) and Allen Key
(I) as shown.

Ⓐ Attach Strap (20) to (9).



Strap installation steps



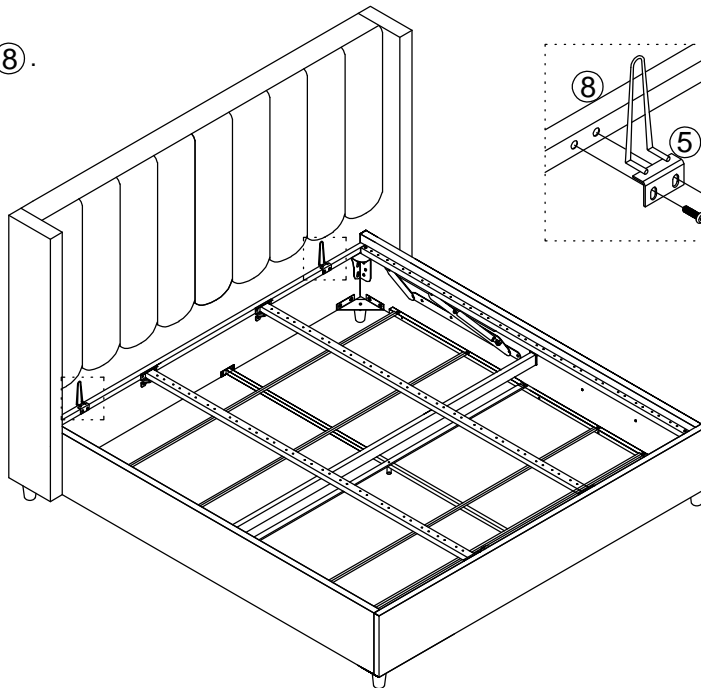
M6X20mm
BX6



I X1

Step 22

Ⓐ Attach Mattress Stopper (5) to (8).
Using 20mm Bolt (B) and Allen Key
(I) as shown.



M6X20mm
BX4



I X1

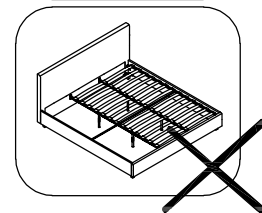
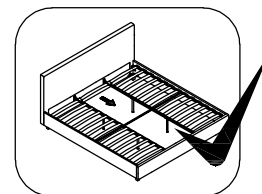
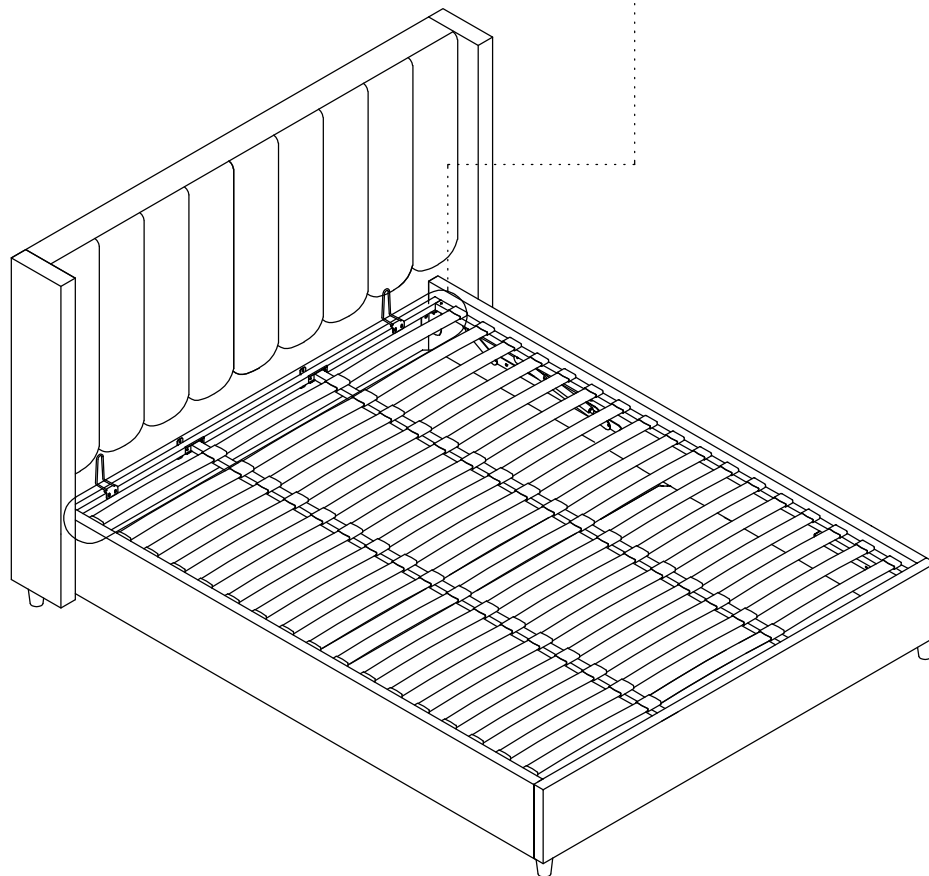
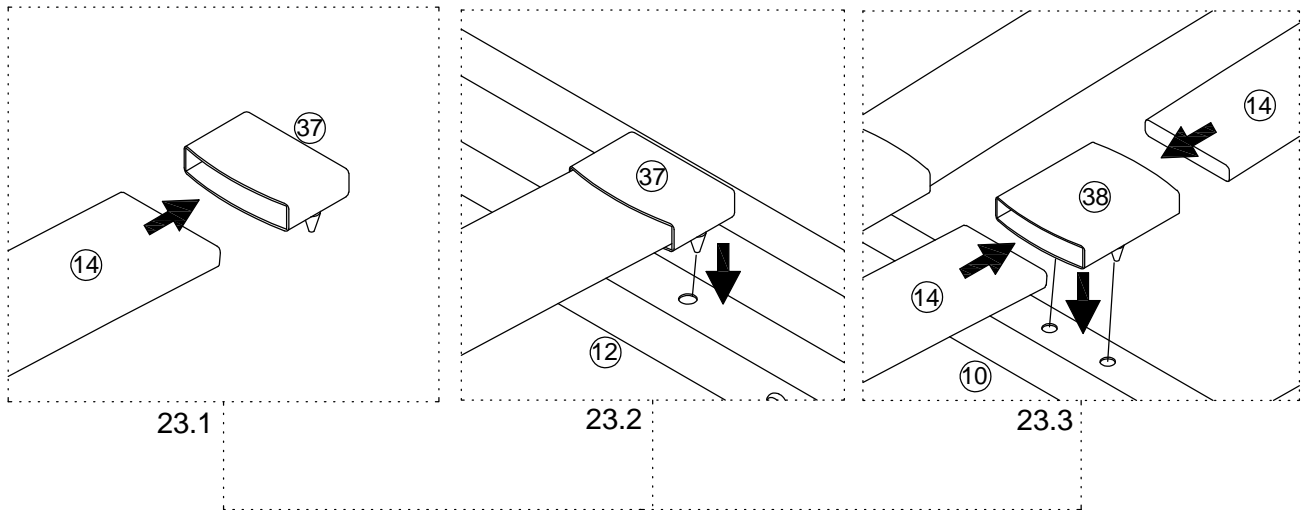
Step 23

23.1 Insert Wooden Slats (14) into Single Slat Cap (37) ;

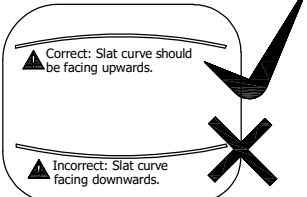
23.2 Press Single Slat Cap (37) into Side Rail (12) , repeat the same procedure for the opposite side.

23.3 Insert ends of both Wooden Slats (14) into Double Slat Cap (38) ,then press Double Slat Cap (38) into Centre Rail (10) as illustrated.

Repeat the same procedures going backwards for every row of slats.

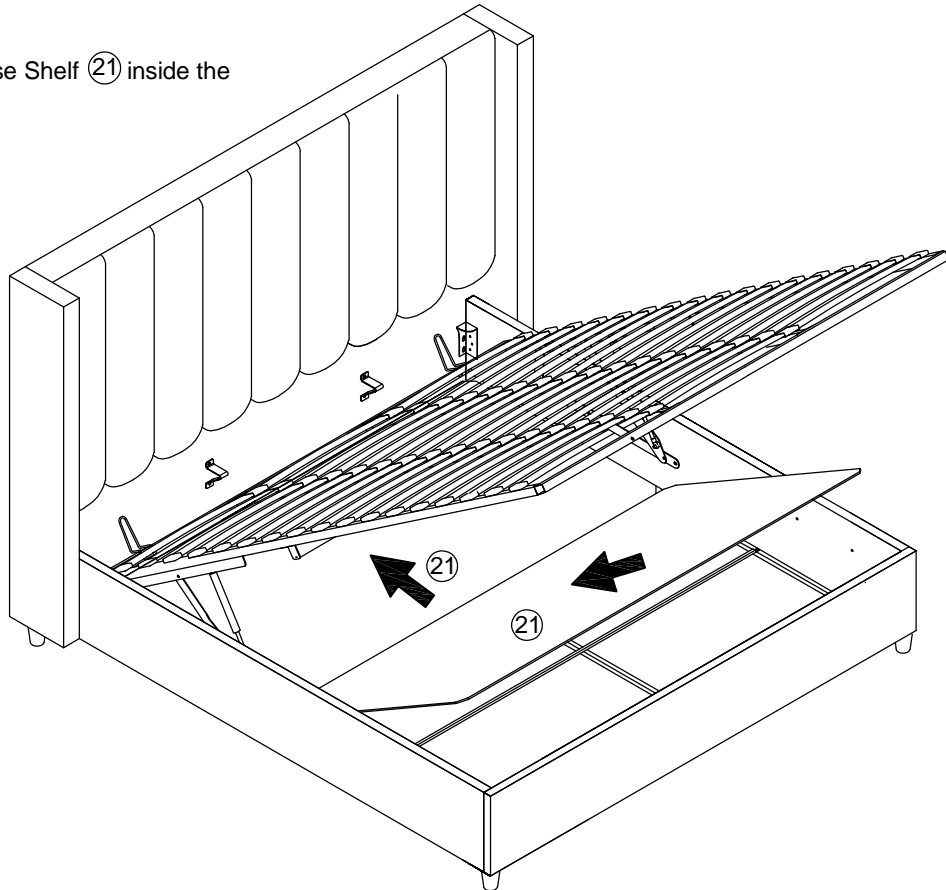


SLAT WARNING



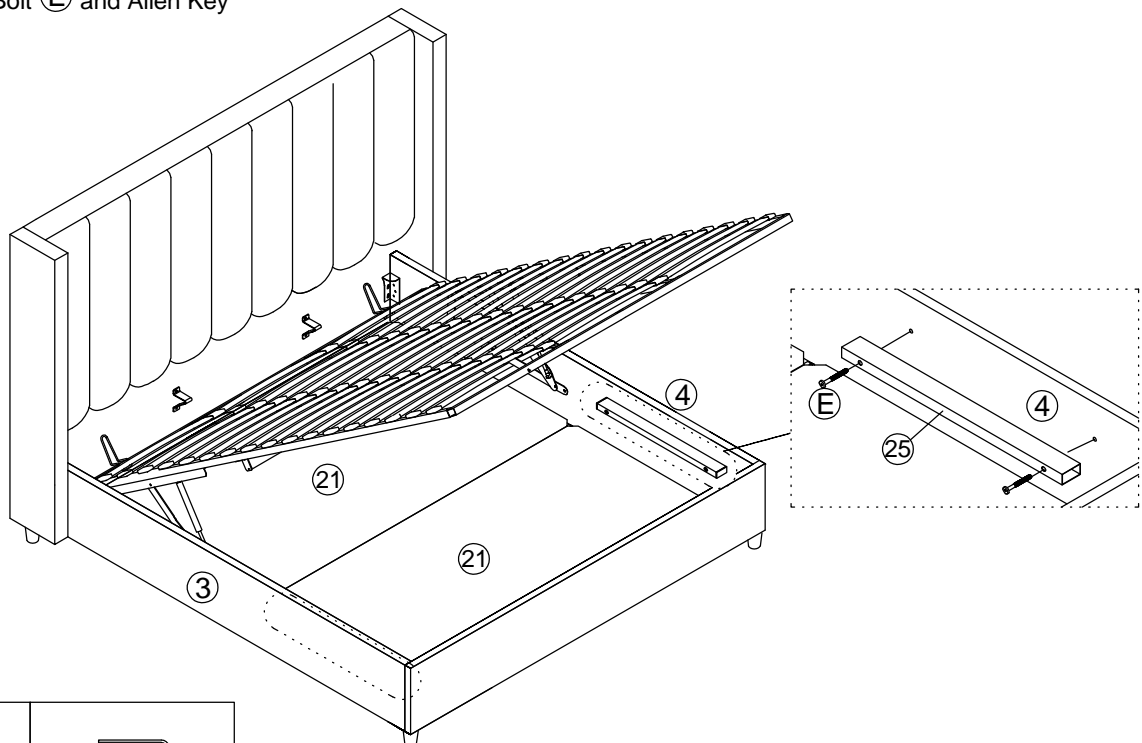
Step 24

Ⓐ Gently place Base Shelf (21) inside the assembled bed base.



Step 25

Ⓐ Attach bed frame Support Bar (25) to (3), (4).
Using 65mm Bolt (E) and Allen Key (I) as shown.



M8X65mm

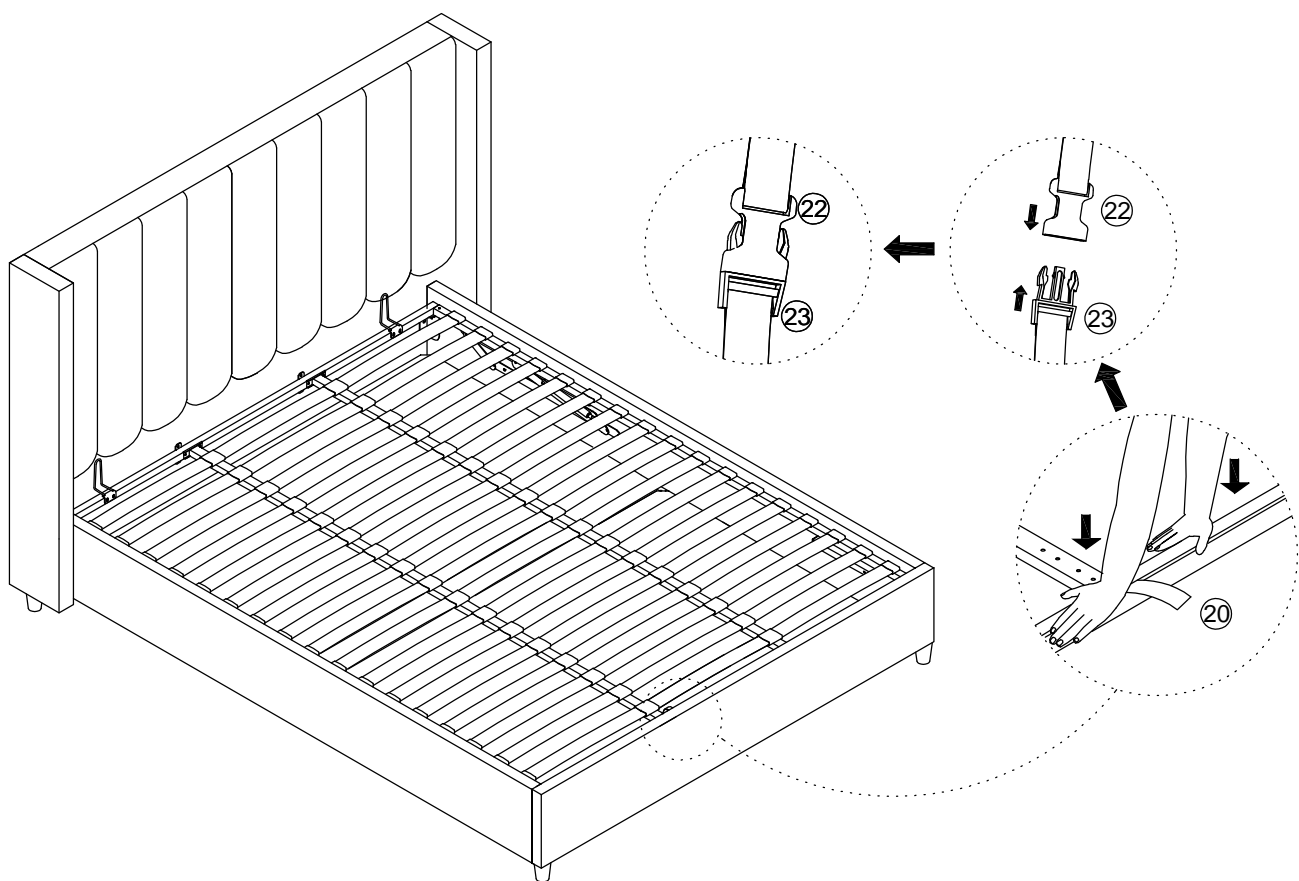
EX4

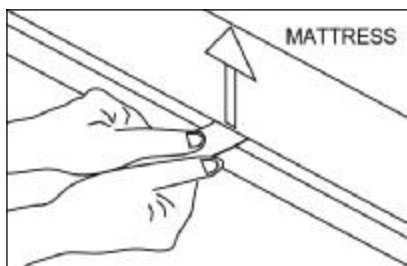
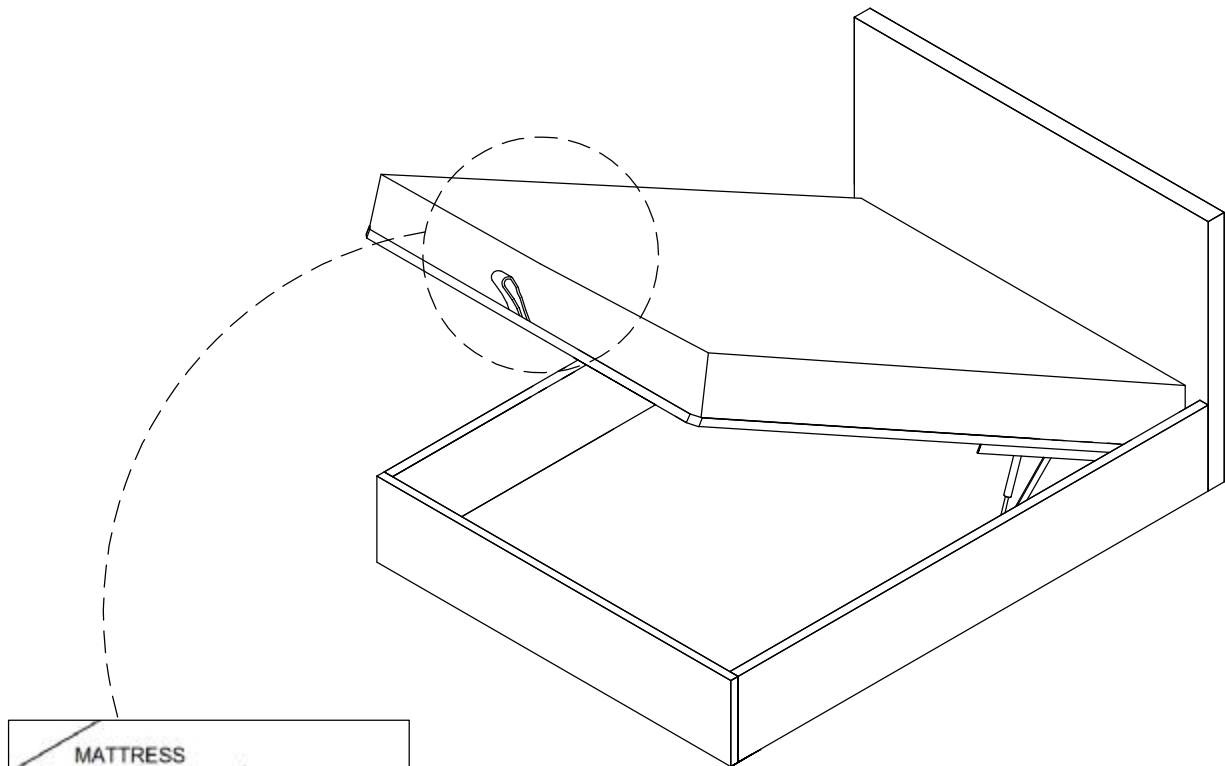


I X1

Step 26

▲ Close base and attach safety Buckle
②② to ②③.





---WARNING: PLEASE DO NOT ALLOW CHILDREN OR PETS INSIDE THE STORAGE AREA.

---WARNING: PLEASE BE CAREFUL WHEN LIFTING.
ONLY LIFT WITH MATTRESS ON TOP.
TO BE OPERATED BY ADULTS ONLY.

---WARNING: PLEASE DO NOT PRESS DOWN ON THE MATTRESS WHEN
THE BED FRAME IS IN THE LIFT UP POSITION.

---WARNING: THE BED FRAME TOP MUST ONLY BE CLOSED BY USING TWO
HANDS EQUALLY SPACED FROM THE CENTER OF THE
MATTRESS BASE.

Use the strap handle to lift up the mattress base using two hands
Pull the mattress base down using two hands equally spaced from
the center of the mattress base. DO NOT pull down on one side of base
only as this is likely to damage the base system with potential
failure of the mattress base system and lift mechanism.

The mattress needs to be placed on the sleeping base to help lower it.