

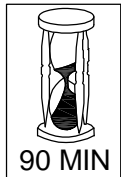
Minimum Two
Persons Assembly



Alexis 90CM Bed with Gas Lift and Storage
STK551805

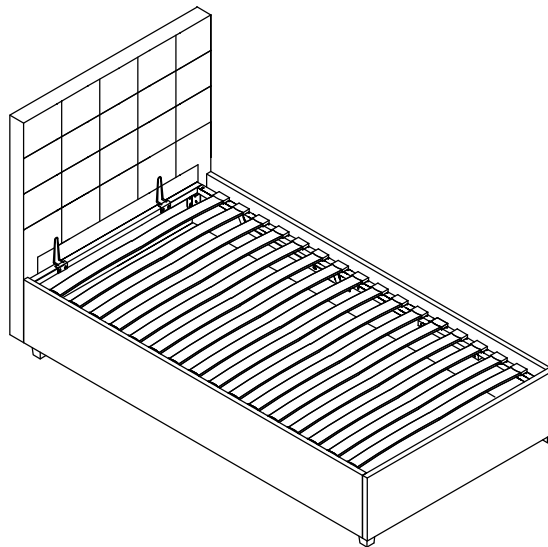
Assembly instructions

Please keep these instructions for future reference.



90 MIN

Approximate
Assembly Time



Regrettably self-assembly items cannot be returned once assembly is part or fully completed unless the items are found to be faulty. Should you need to return the unassembled product, please repack in its original packaging.

Important information

- We suggest you spend a short time reading through this leaflet and then follow the simple step-by-step instructions.
- Carefully check that you have all the parts before beginning assembly.
- Keep fittings out of children's reach and keep children well away from construction area.
- We suggest you retain these instructions for future reference.
- In the unusual event of an issue with your product would you please quote the batch I.D. number situated on the main parts of the frame (Head End- Foot End- side Rails).

Product information

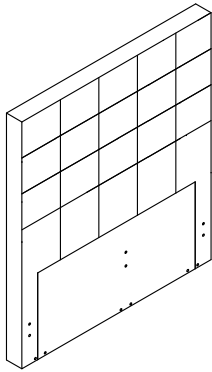
- Upholstered Bed Using Fabric Material. Conforms to BS EN1725 & BS 5852.

Care instructions

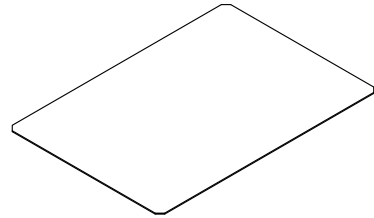
- Avoid exposing the furniture to excessive heat or direct sunlight as this can cause cracking and deterioration of the color.
- Periodically check & re-tighten any fastener .
- Periodically dust lightly with a clean soft cloth.
- Do not use silicone based furniture polish.
- Any spills should be removed immediately with a damp cloth.
- TAKE CARE WHEN MOVING THE FURNITURE AND NEVER DRAG THE PIECES ACROSS THE FLOOR,AS THIS WILL CAUSE DAMAGE TO THE JOINTS.

Components of Carton A

① Headboard x 1

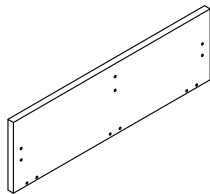


② Base Boards x 2

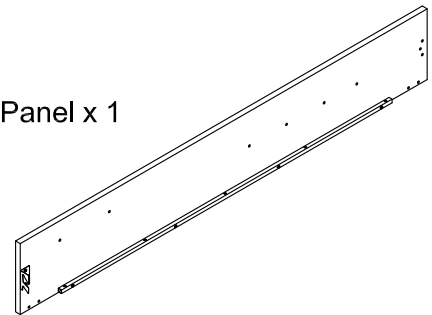


Components of Carton B

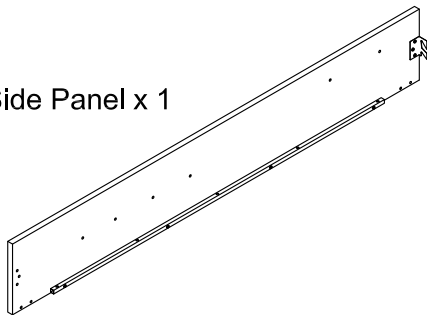
② Footboard x 1



③ Left Side Panel x 1



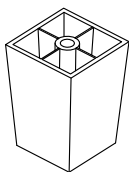
④ Right Side Panel x 1



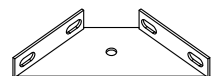
⑤ Mattress Support x 2



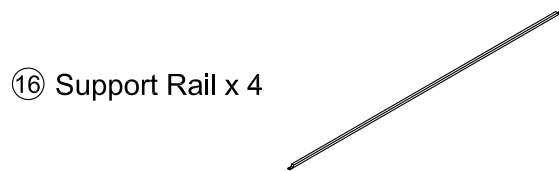
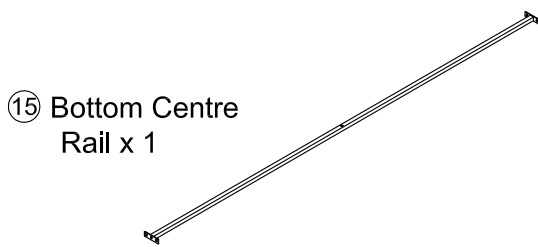
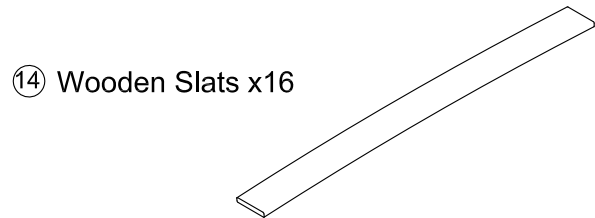
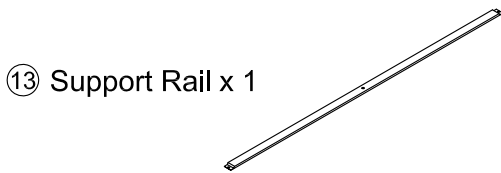
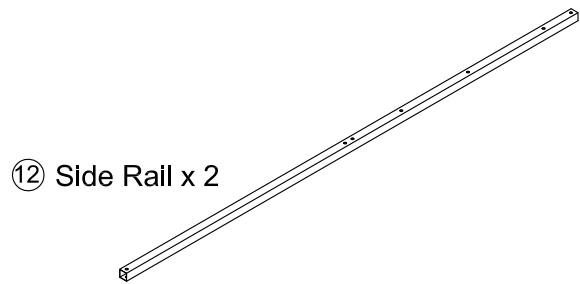
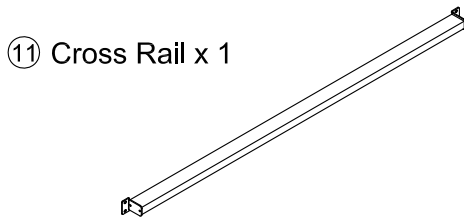
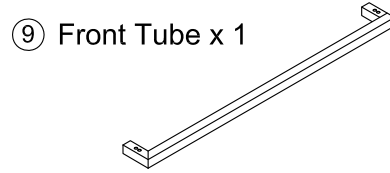
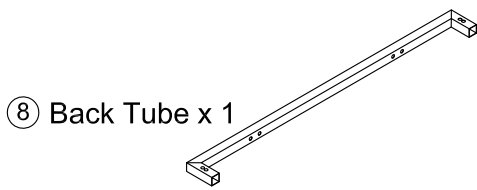
⑥ Leg x 4



⑦ Corner Bracket x 4

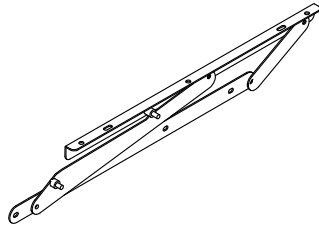


Components of Carton B

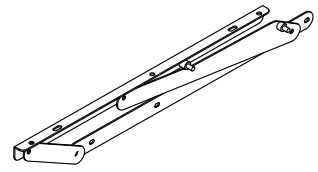


Components of Carton B

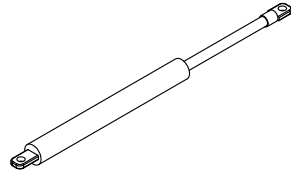
⑰ Left Hinge x 1



⑱ Right Hinge x 1



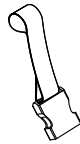
⑲ Gas Lift x 2



⑳ Strap x 1



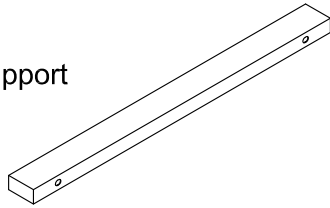
㉒ buckle x 1



㉓ buckle x 1



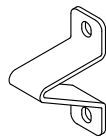
㉕ Bed Frame Support Bar x 2



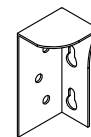
㉗ Short Support Leg x 1



㉙ Base Support x 2



㉛ Left Bracket x 1



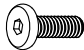
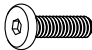
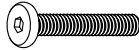
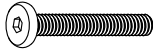
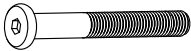





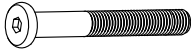
㉝ Right Bracket x 1



㉟ Single Slat Cap x32+2pcs

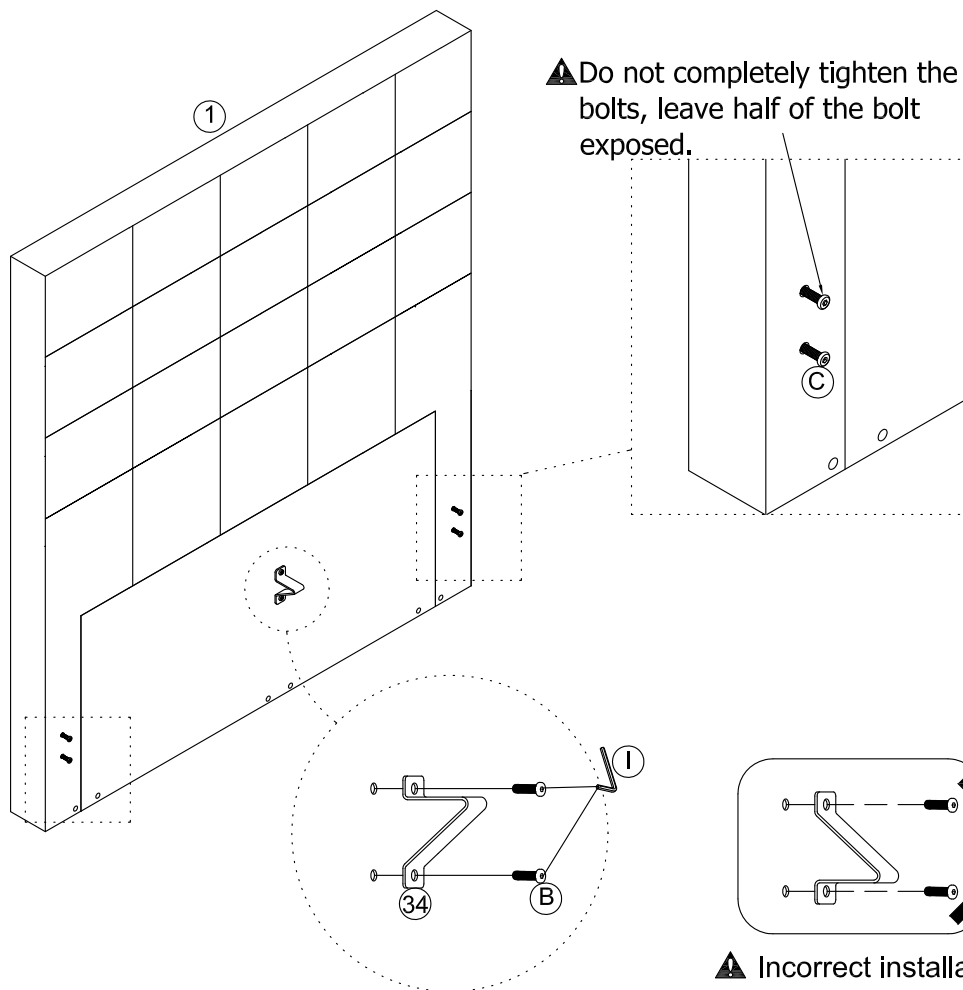





Hardware List in Carton B

<p>Ⓐ M6 x 15MM x 10</p> 	<p>Ⓑ M6 x 20MM x 56</p> 	<p>Ⓒ M6 x 35MM x 8</p> 	<p>Ⓓ M6 x 40MM x 1</p> 
<p>Ⓔ M8 x 65MM x 4</p> 	<p>Ⓕ M6 x 4</p> 	<p>Ⓖ M8 x 4</p> 	<p>Ⓗ M6 x 8</p> 
<p>Ⓘ ALLEN KEY 4MM x 1</p> 	<p>Ⓙ WRENCH x 1</p> 	<p>Ⓚ M8 x 57MM x 4</p> 	

Step 1

- Attach base support (34) to headboard (1).
Using 20mm bolt (B) and allen key (I) as shown.
- Screw (C) onto (1)

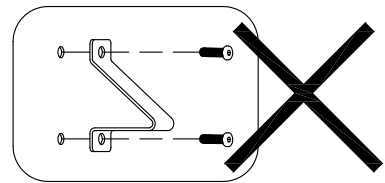
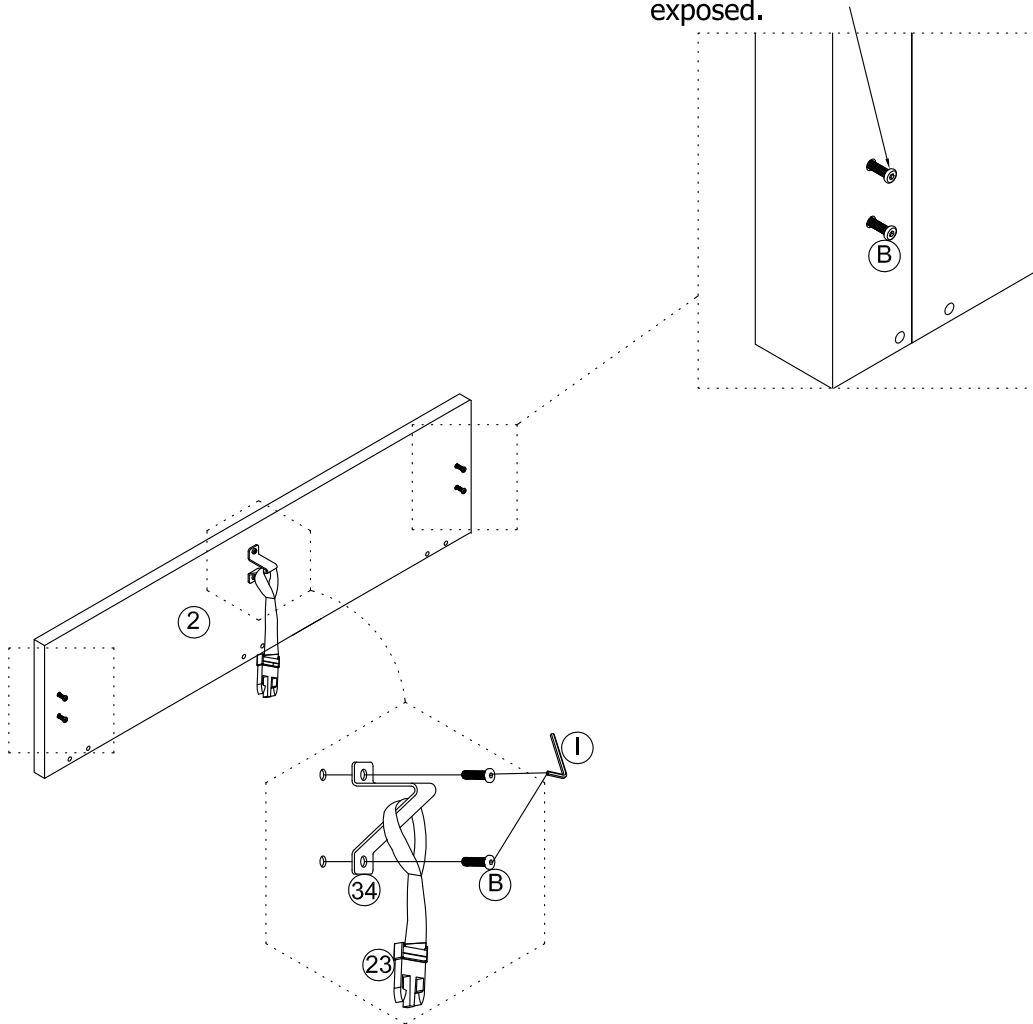


 <p>M6X20mm BX2</p>	 <p>M6X35mm C X4</p>	 <p>I X1</p>
--	---	---

Step 2

- Attach base support (34) and buckle (23) to Footboard (2).
Using 20mm bolt (B) and allen key (I) as shown.
- Screw (B) onto (2)

⚠ Do not completely tighten the bolts, leave half of the bolt exposed.



⚠ Incorrect installation method



M6X20mm

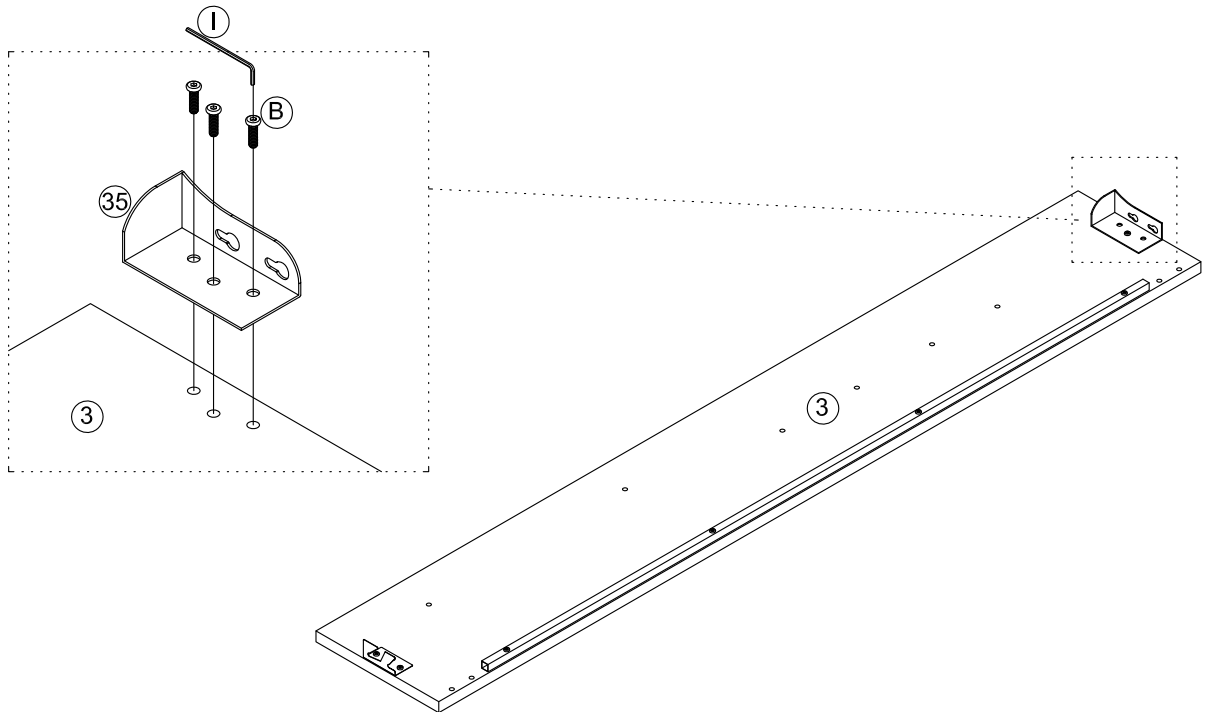
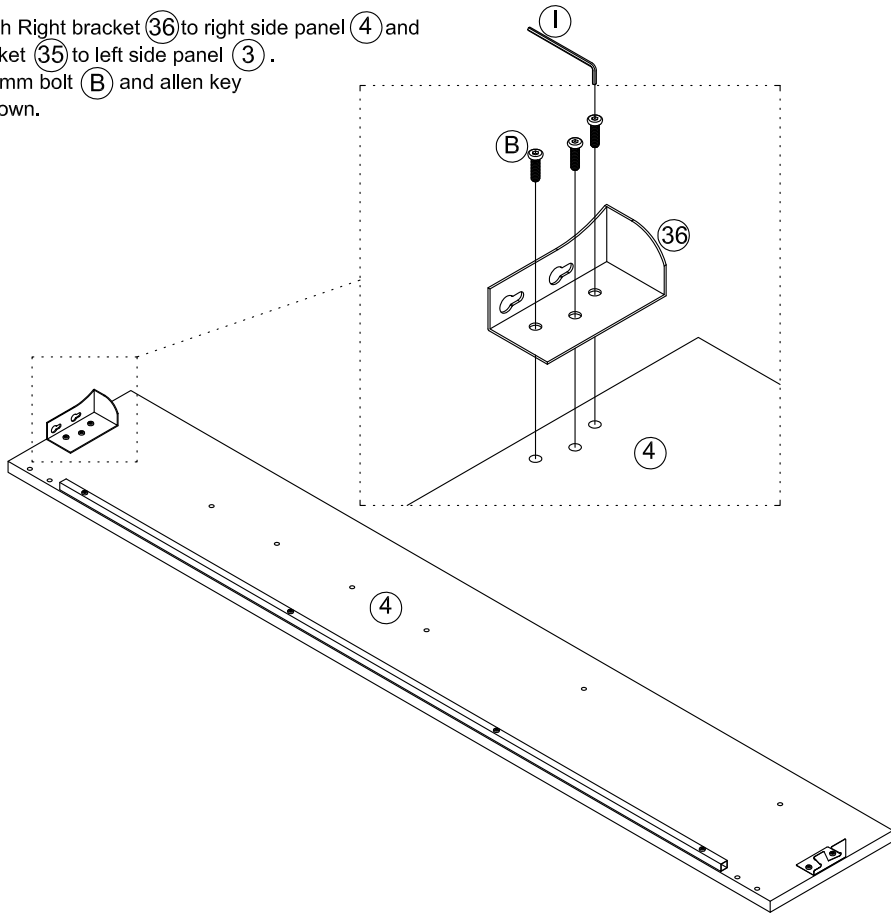
BX6





I X1

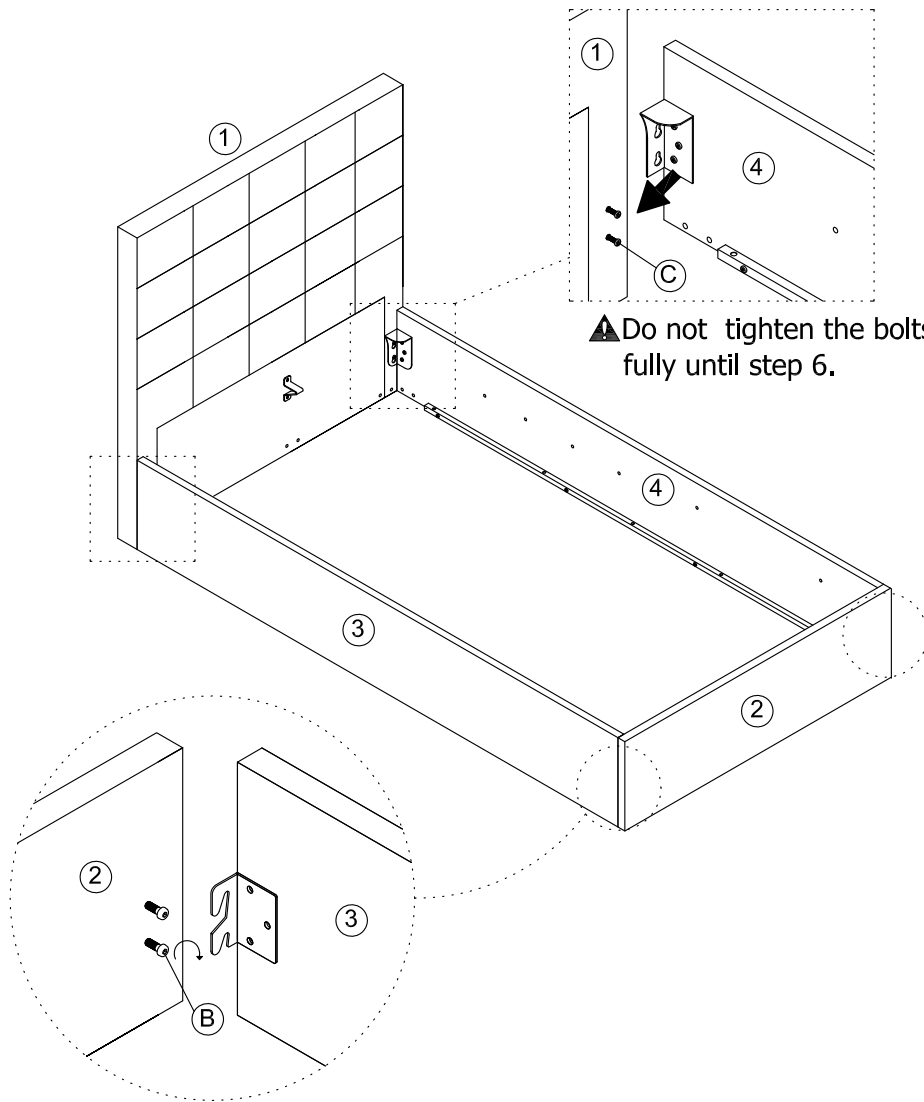
Step 3

- Attach Right bracket (36) to right side panel (4) and Left bracket (35) to left side panel (3). Using 20mm bolt (B) and allen key (I) as shown.



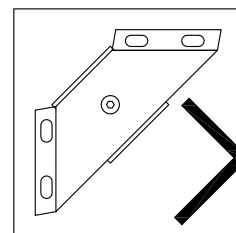
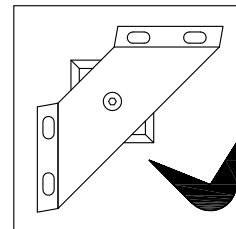
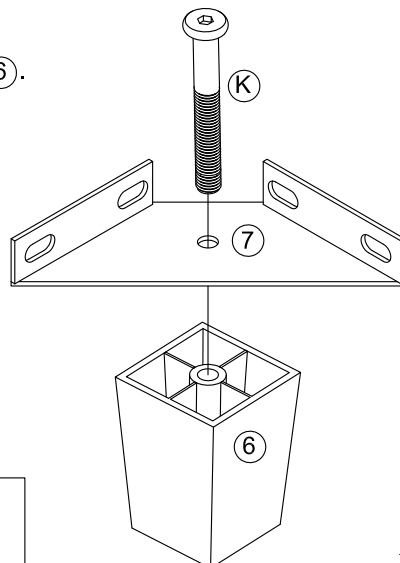
 M6X20mm BX6	 I X1
---	---

Step 4





Step 5

● Attach corner bracket (7) to leg (6).
Using 57mm bolt (K) and allen key (I) as shown.

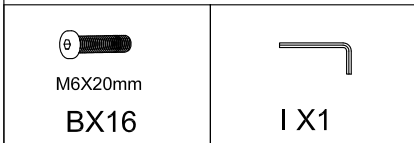
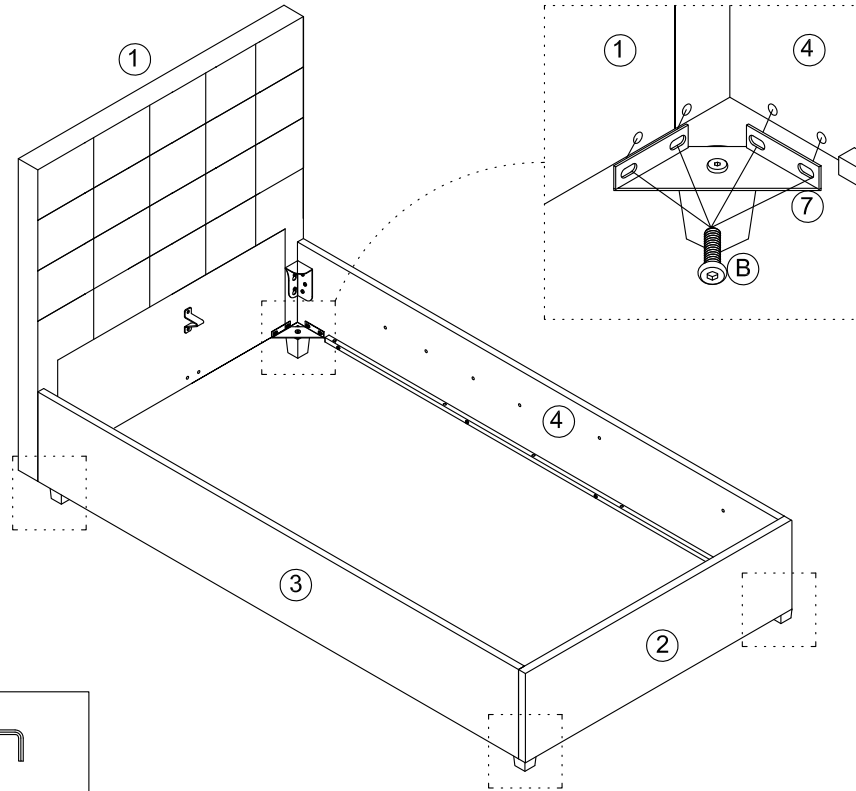


x4

 M8X57mm KX4	 I X1
---	---

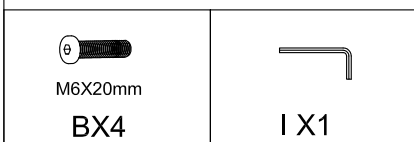
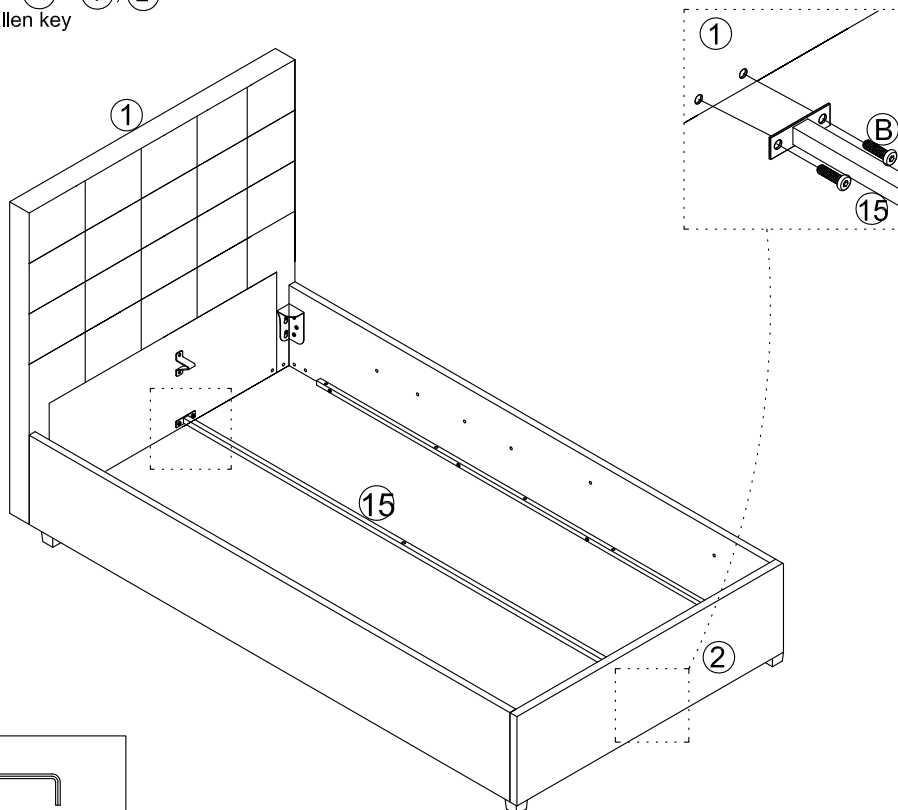
Step 6

● Attach corner bracket (7) with leg (6) to (1), (2), (3), (4).
Using 20mm bolt (B) and allen key (I) as shown.



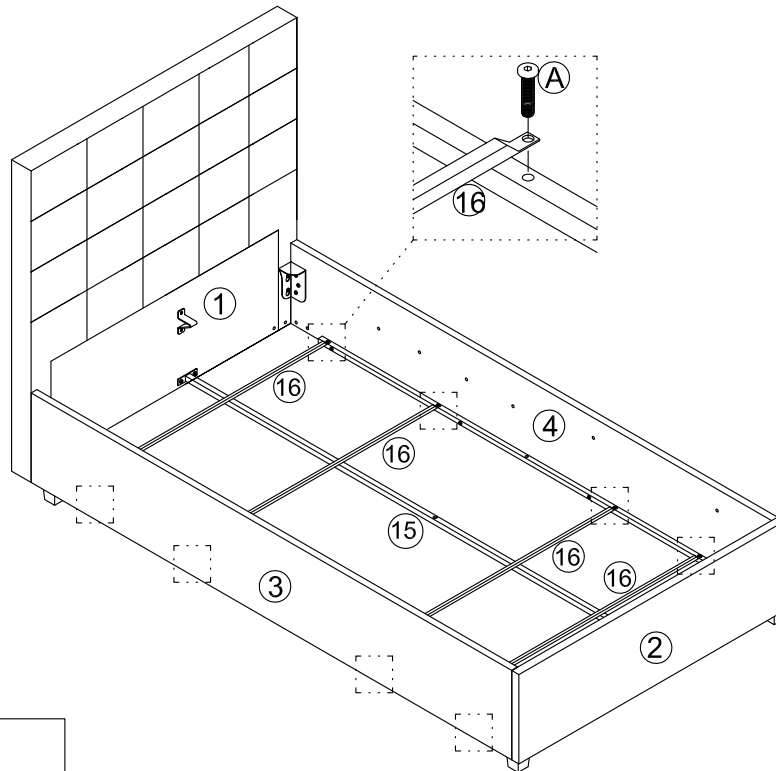
Step 7

● Attach bottom centre rail (15) to (1), (2).
Using 20mm bolt (B) and allen key (I) as shown.



Step 8

- Attach support rail (16) to (3), (4).
Using 15mm bolt (A) and allen key (I) as shown.



M6X15mm

AX8

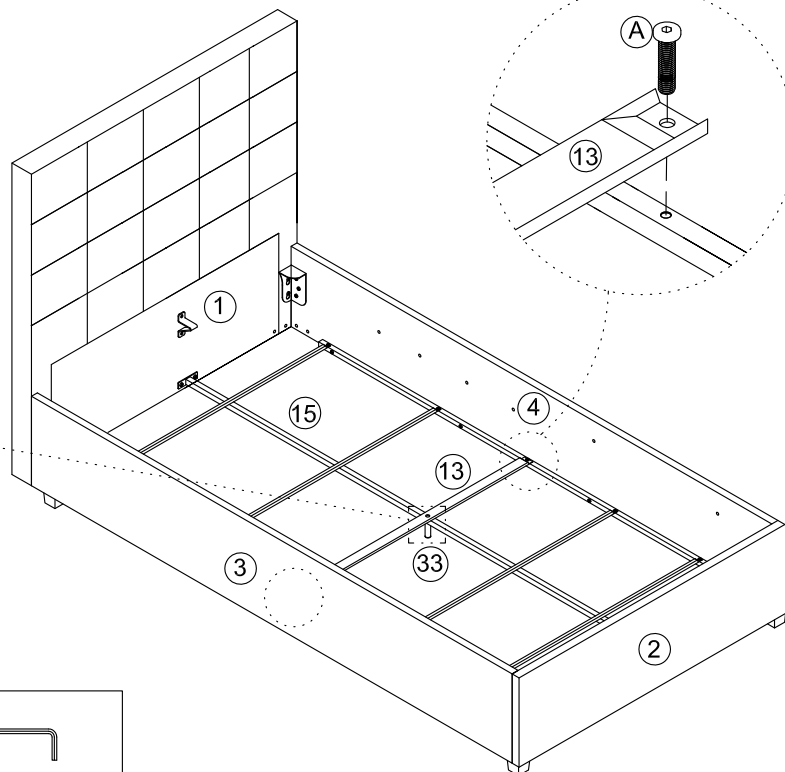
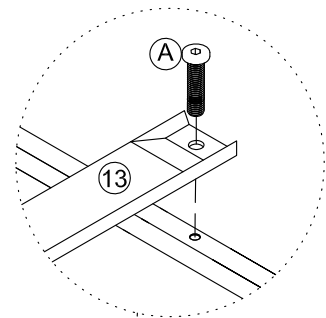
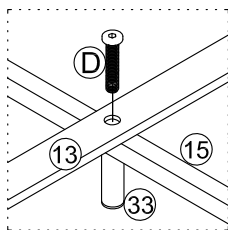


I X1

Step 9

- Attach support rail (13) to (3), (4).
Using 15mm bolt (A) and allen key (I) as shown.

- Attach short support leg (33) to (13), (15).
Using 40mm bolt (D) and allen key (I) as shown.



M6X15mm

AX2



M6X40mm

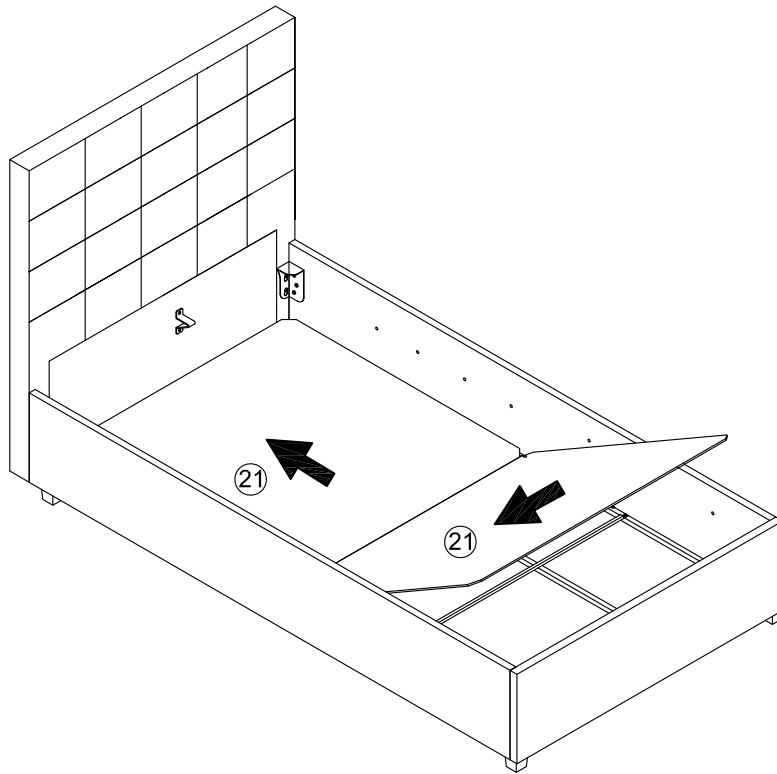
DX1



I X1

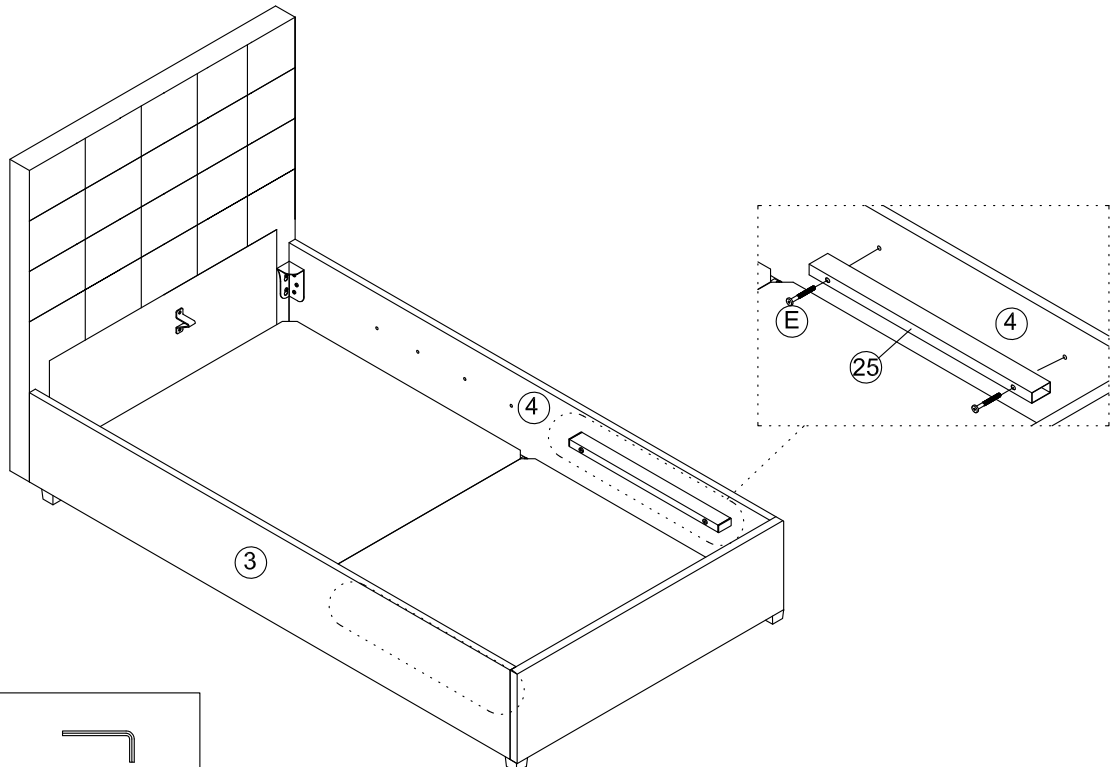
Step 10

- Gently place base boards (21) inside the assembled bed base.



Step 11

- Attach bed frame support bar (25) to (3), (4).
Using 65mm bolt (E) and allen key (I) as shown.



M8X65mm

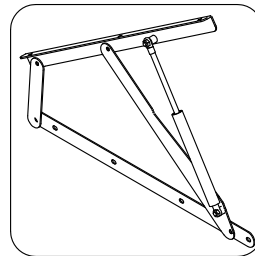
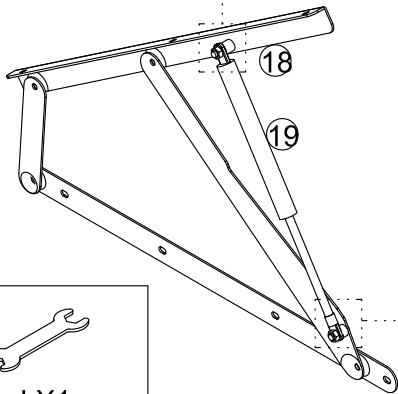
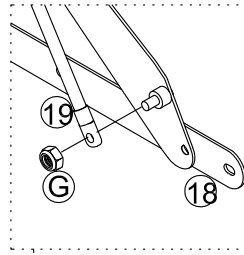
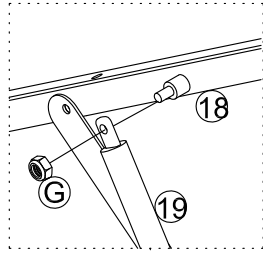
EX4



I X1

Step 12

- Attach gas lift (19) to right hinge (18).
- Using M8 nut (G) and wrench (J) as shown.



▲ Incorrect: The orientation of part (19) is upside down.



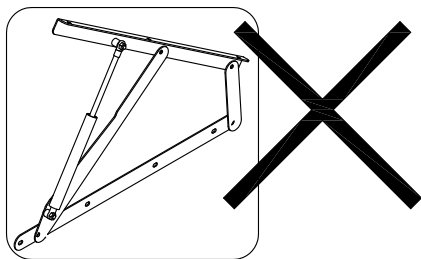
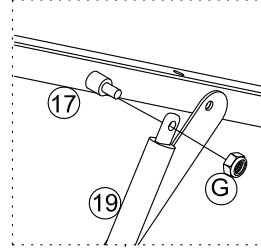
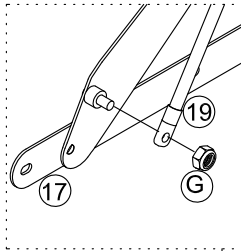
M8
GX2



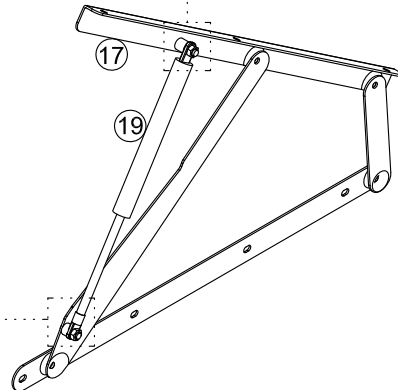
J X1

Step 13

- Attach gas lift (19) to left hinge (17).
- Using M8 nut (G) and wrench (J) as shown.



▲ Incorrect: The orientation of part (19) is upside down.



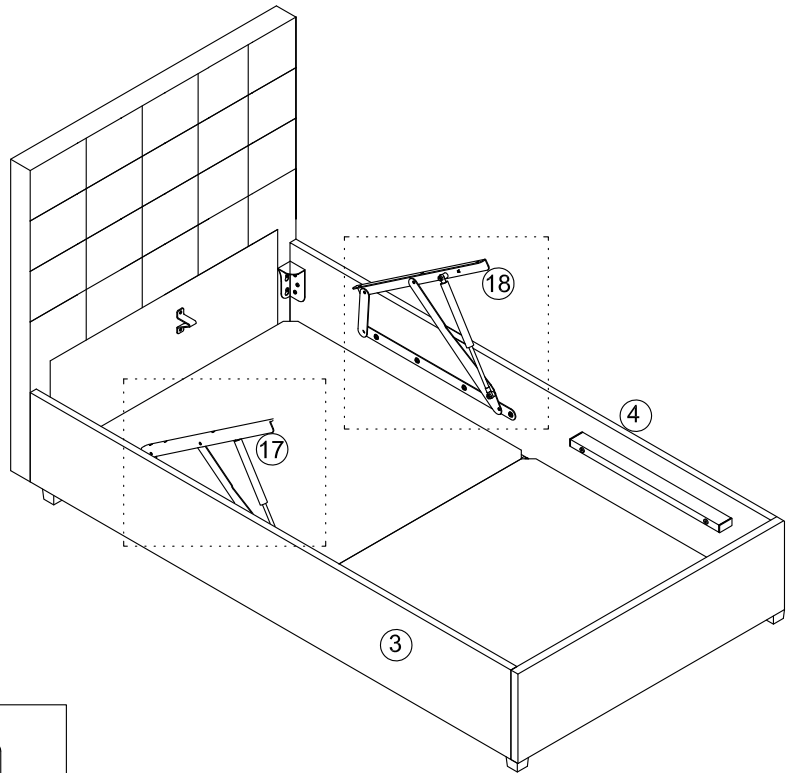
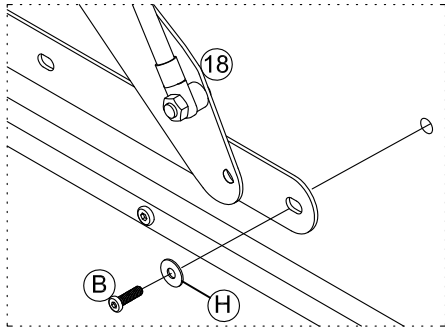
M8
GX2



J X1

Step 14

● Attach (17) to (3), (18) to (4).
Using 20mm bolt (B), M6 Washer (H) and allen key (I) as shown.



M6X20mm
BX8

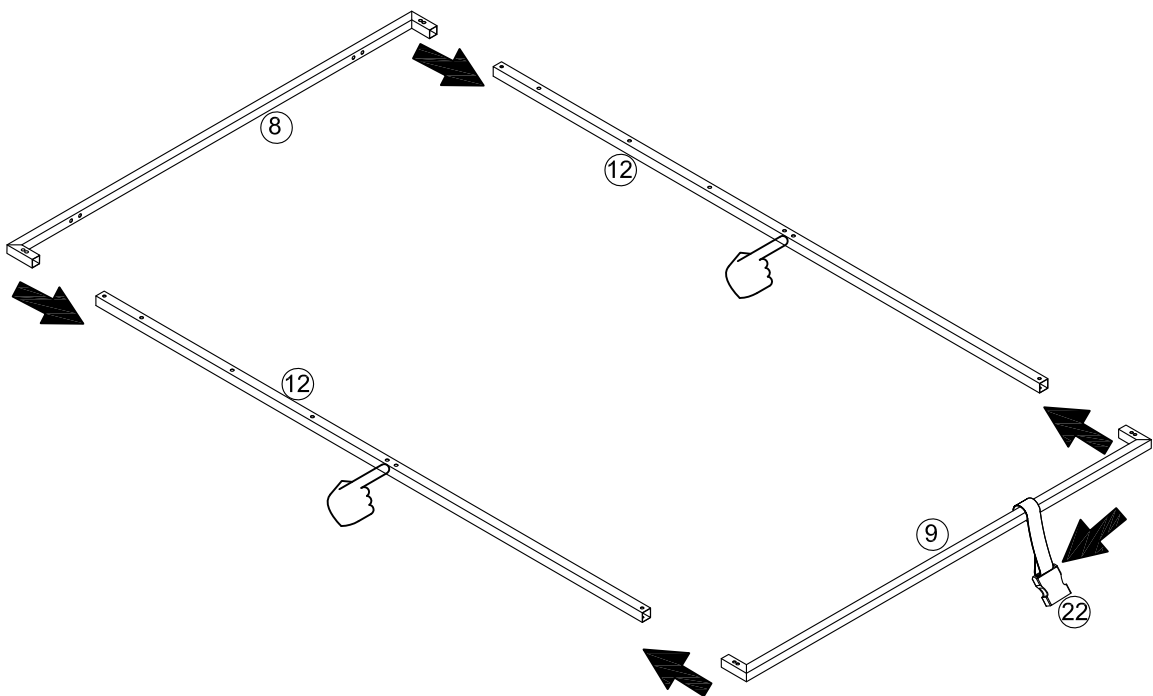


M6
HX8



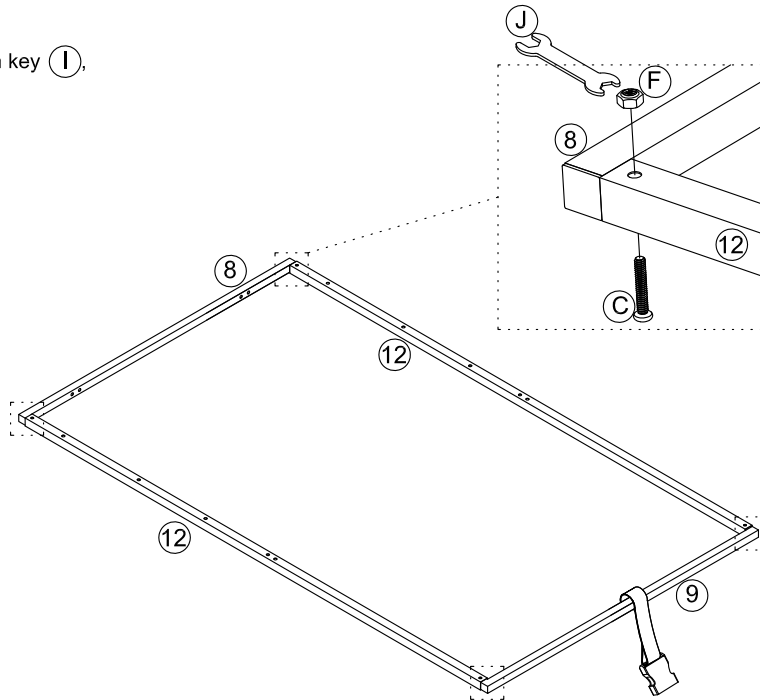
I X1





Step 15



Step 16

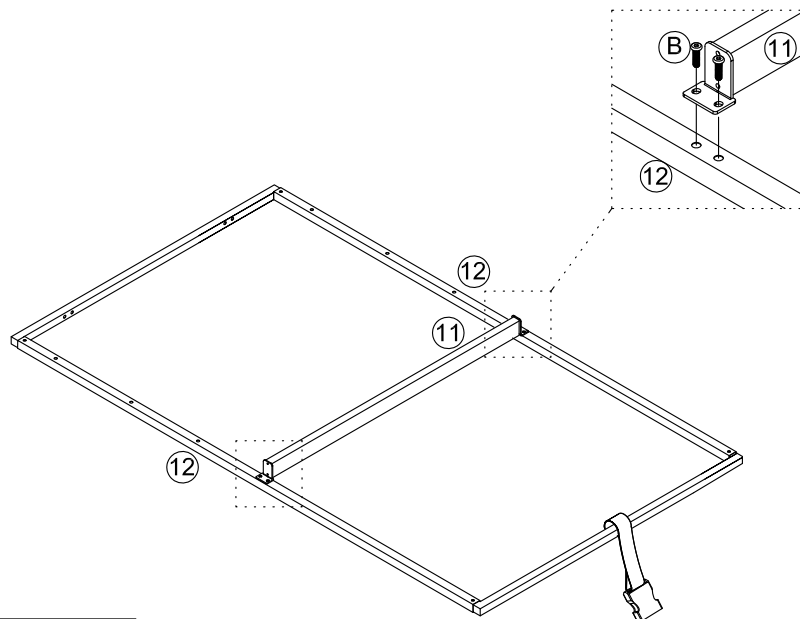
● Attach side rail (12) to (8), (9).
Using 35mm bolt (C), M6 Nut (F) and allen key (I),
wrench (J) as shown.





 M6X35mm C X4	 M6 F X4	 J X1	 I X1
---	--	--	--

Step 17

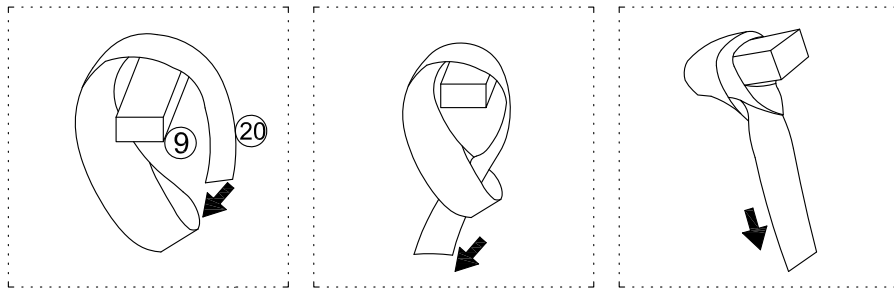
● Attach cross rail (11) to (12).
Using 20mm bolt (B) and allen key (I)
as shown.



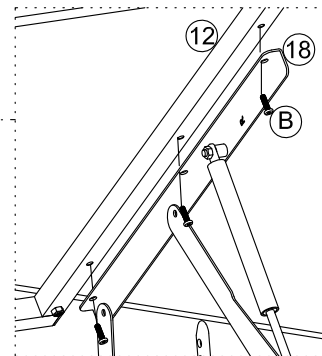
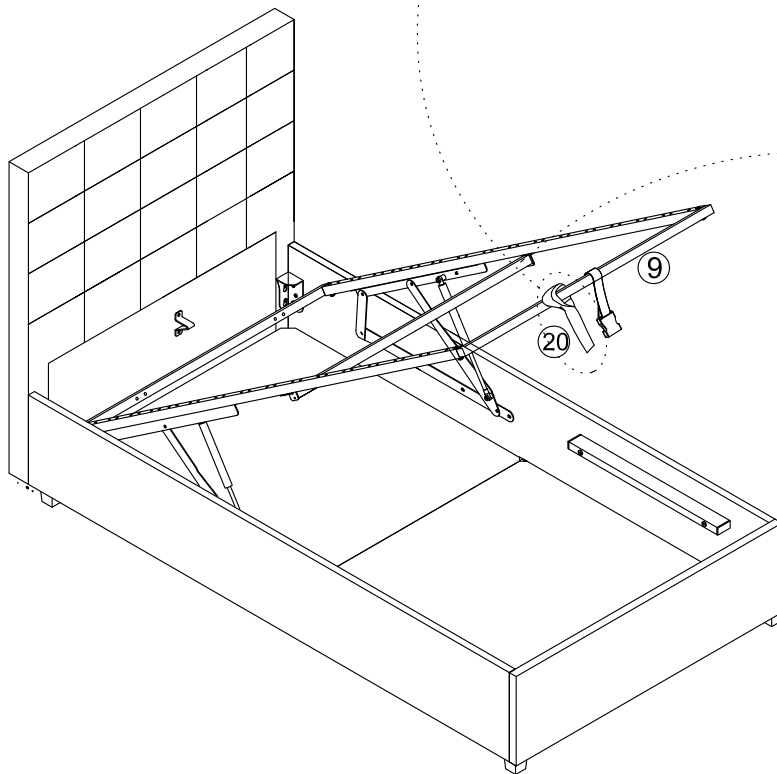
 M6X20mm B X4	 I X1
--	---



Step 18

- Attach hinge (17) (18) to (12).
Using 20mm bolt (B) and allen key (I) as shown.
- Attach Strap (20) to (9).



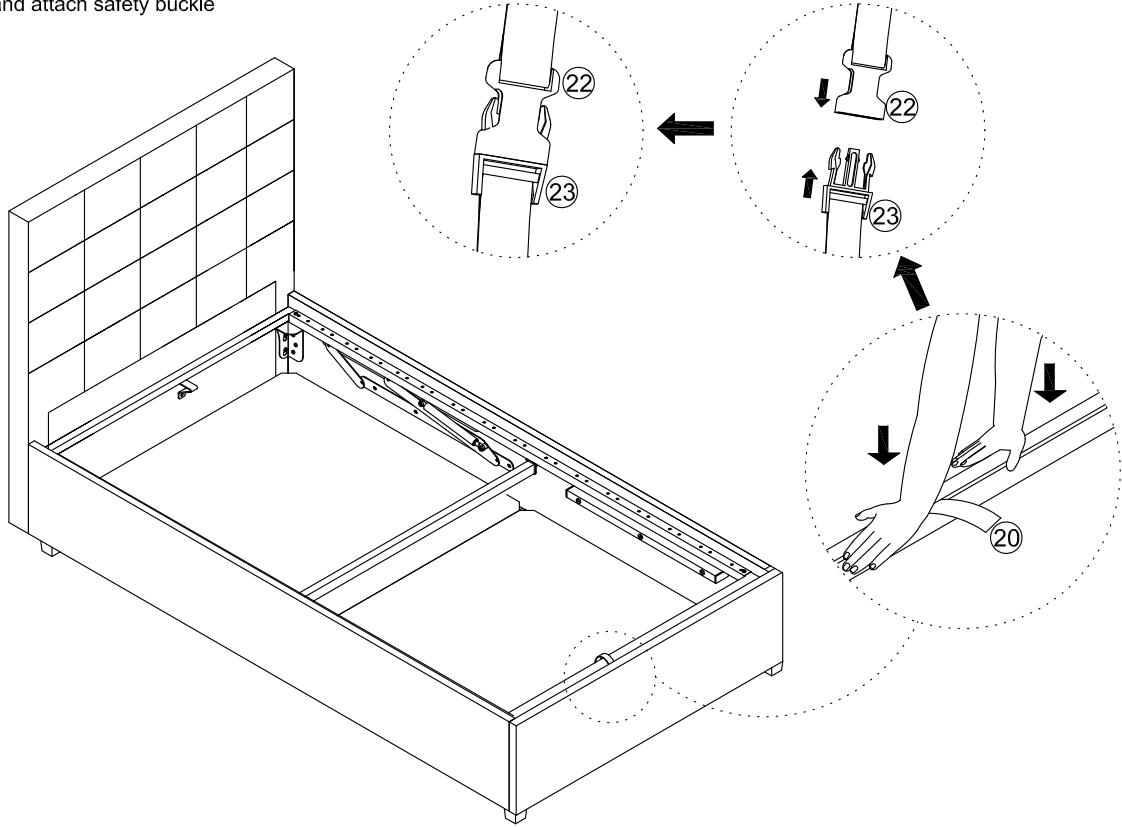
Strap installation steps



 M6X20mm BX6	 I X1
---	---

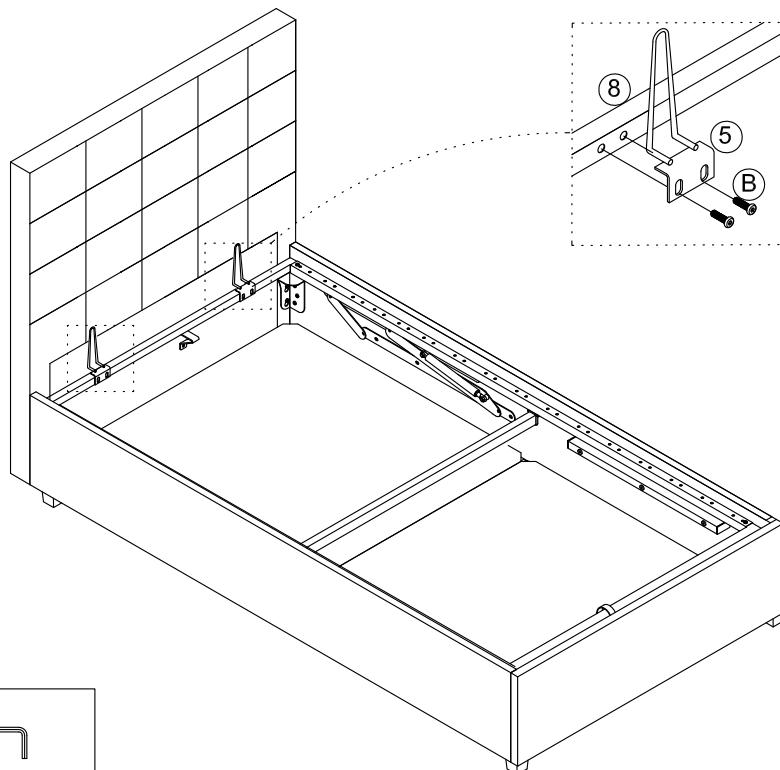
Step 19

- Close base and attach safety buckle (22) to (23).



Step 20

- Attach mattress support (5) to (8). Using 20mm bolt (B) and allen key (I) as shown.



M6X20mm

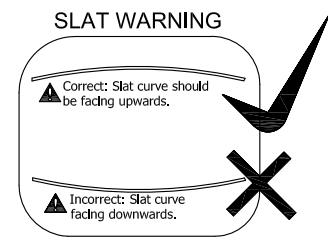
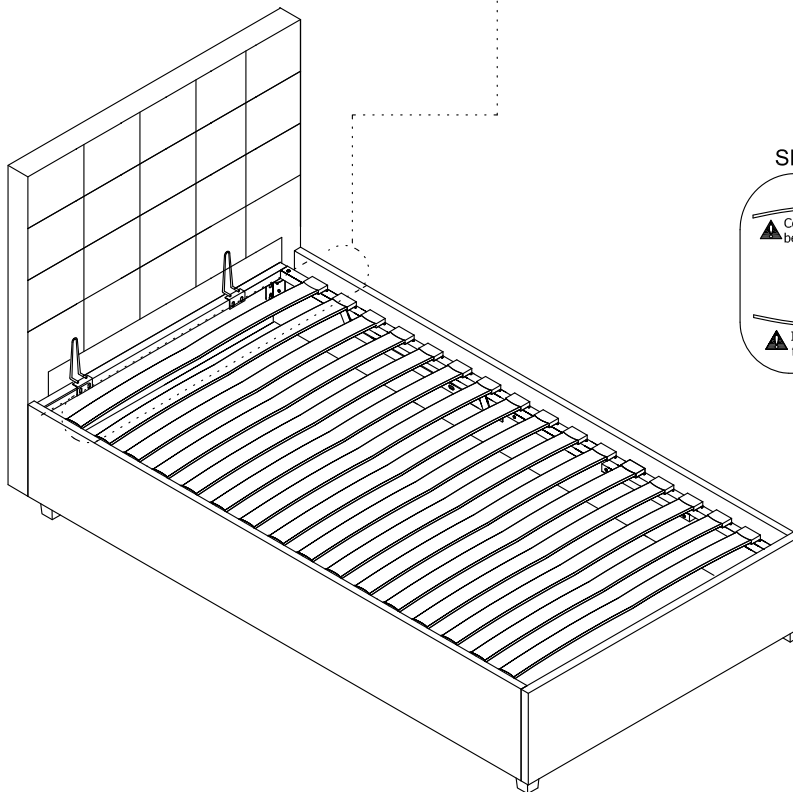
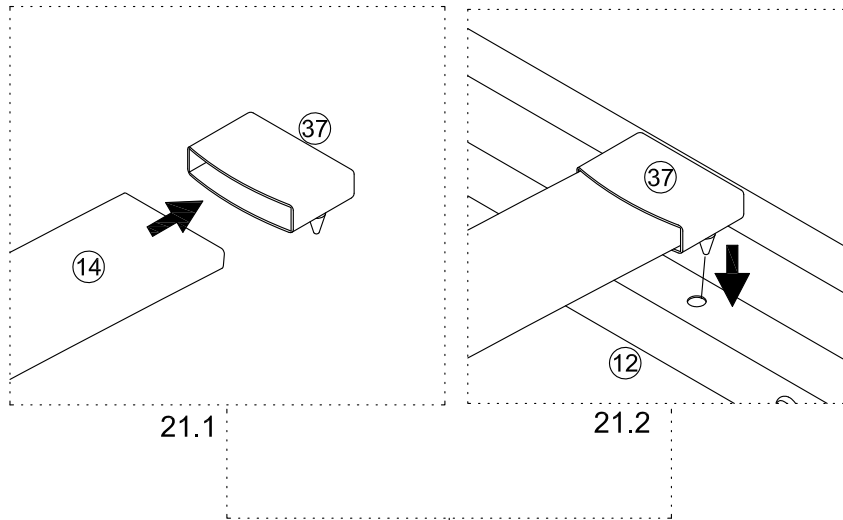
BX4

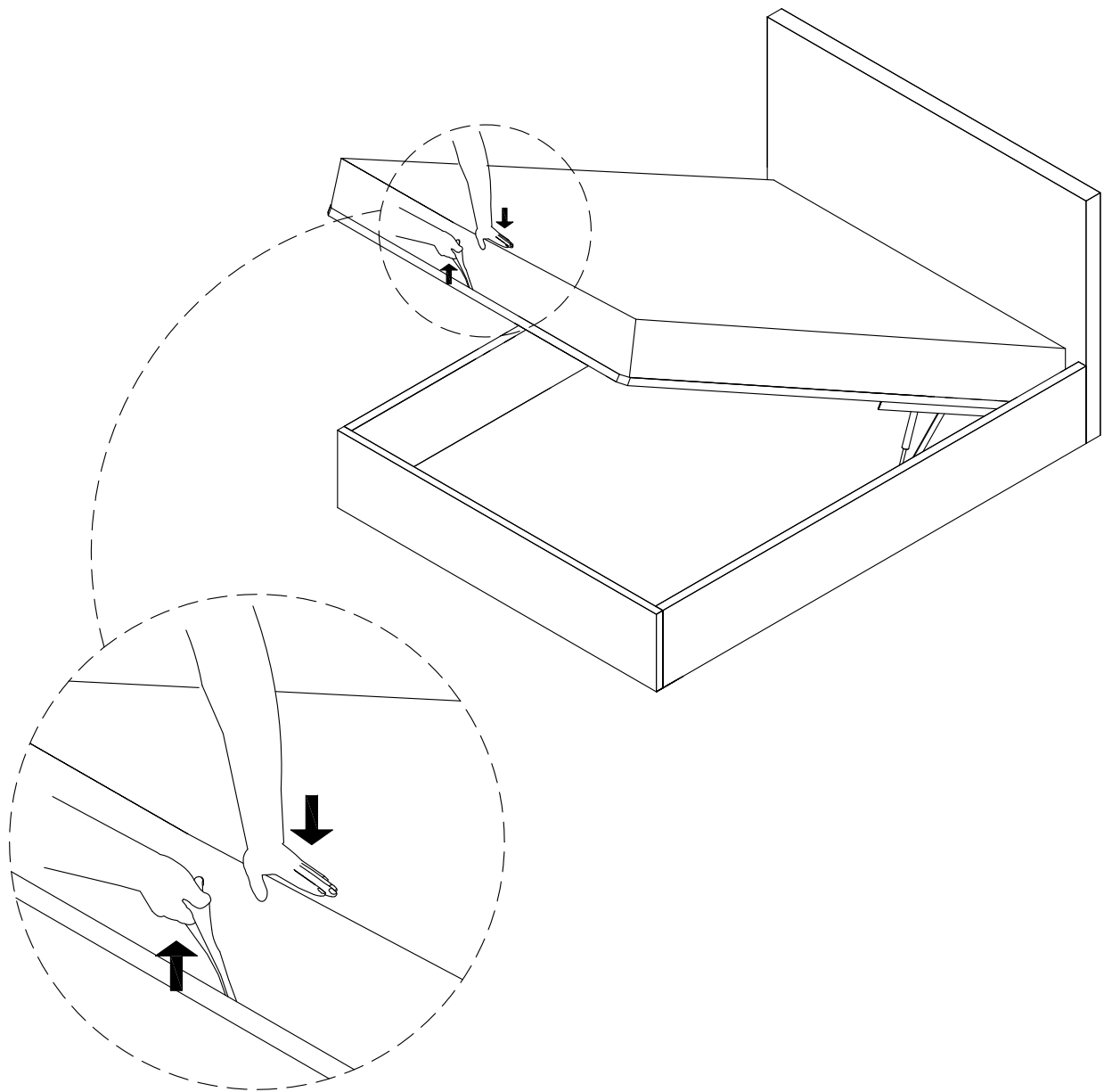


I X1

Step 21

- 21.1 Insert wooden slats (14) into single slat Cap (37);
 - 21.2 Press single slat Cap (37) into side rail (12), repeat the same procedure for the opposite side.
- Repeat the same procedures going backwards for every row of slats.





--WARNING: PLEASE DO NOT ALLOW CHILDREN OR PETS INSIDE THE STORAGE AREA.

--WARNING: PLEASE BE CAREFUL WHEN LIFTING.

ONLY LIFT WITH MATTRESS ON TOP.

TO BE OPERATED BY ADULTS ONLY.

--WARNING: PLEASE DO NOT PRESS DOWN ON THE MATTRESS WHEN

THE BED FRAME IS IN THE LIFT UP POSITION.

--WARNING: THE BED FRAME TOP MUST ONLY BE CLOSED BY USING TWO

HANDS EQUALLY SPACED FROM THE CENTER OF THE

MATTRESS BASE.

Use the strap handle to lift up the mattress base using two hands
 Pull the mattress base down using two hands equally spaced from
 the center of the mattress base. DO NOT pull down on one side of base
 only as this is likely to damage the base system with potential
 failure of the mattress base system and lift mechanism.

The mattress needs to be placed on the sleeping base to help lower it.